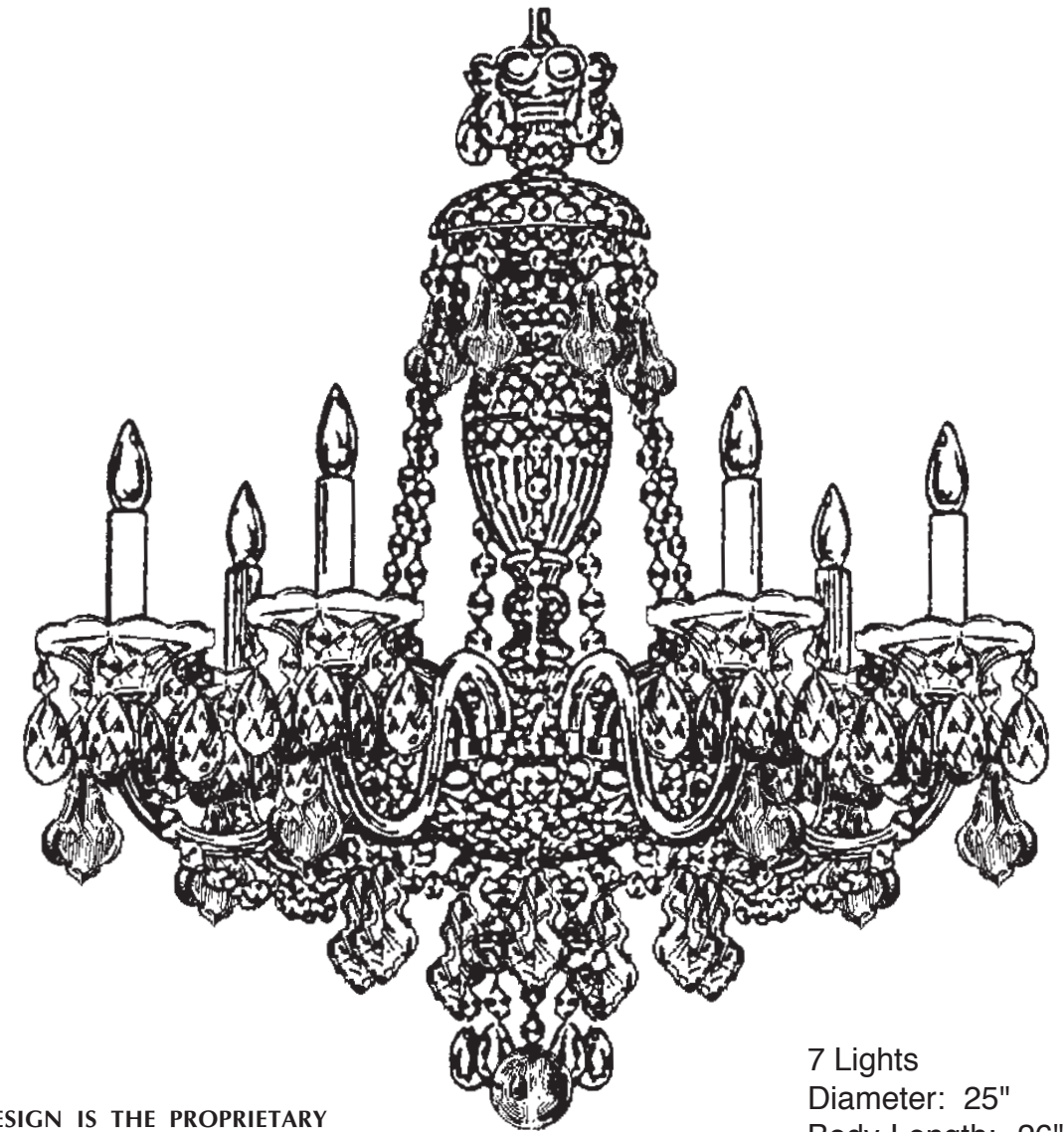




SCHONBEK®

STERLING 2995- __ __ S



THIS DESIGN IS THE PROPRIETARY TRADE DRESS/TRADemark OF SWAROVSKILIGHTING, LTD.

7 Lights
Diameter: 25"
Body Length: 26"
Hanging Weight: 16 lbs.

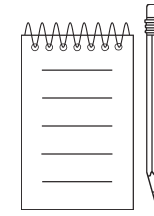
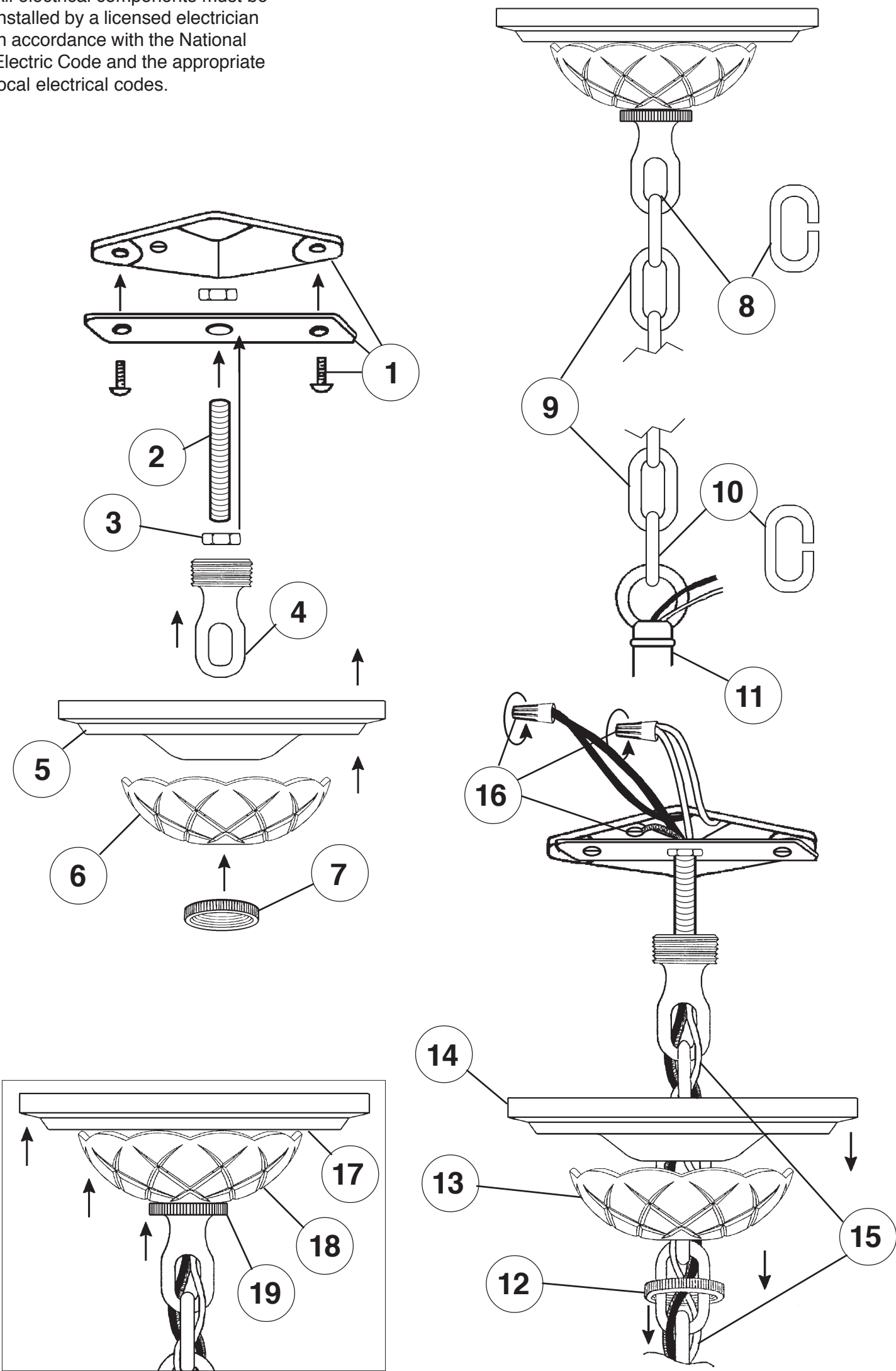


SCHONBEK®

MAX <u>60</u> W		110-120 V						

SCHONBEK® is a member of the Swarovski group.

All electrical components must be installed by a licensed electrician in accordance with the National Electric Code and the appropriate local electrical codes.







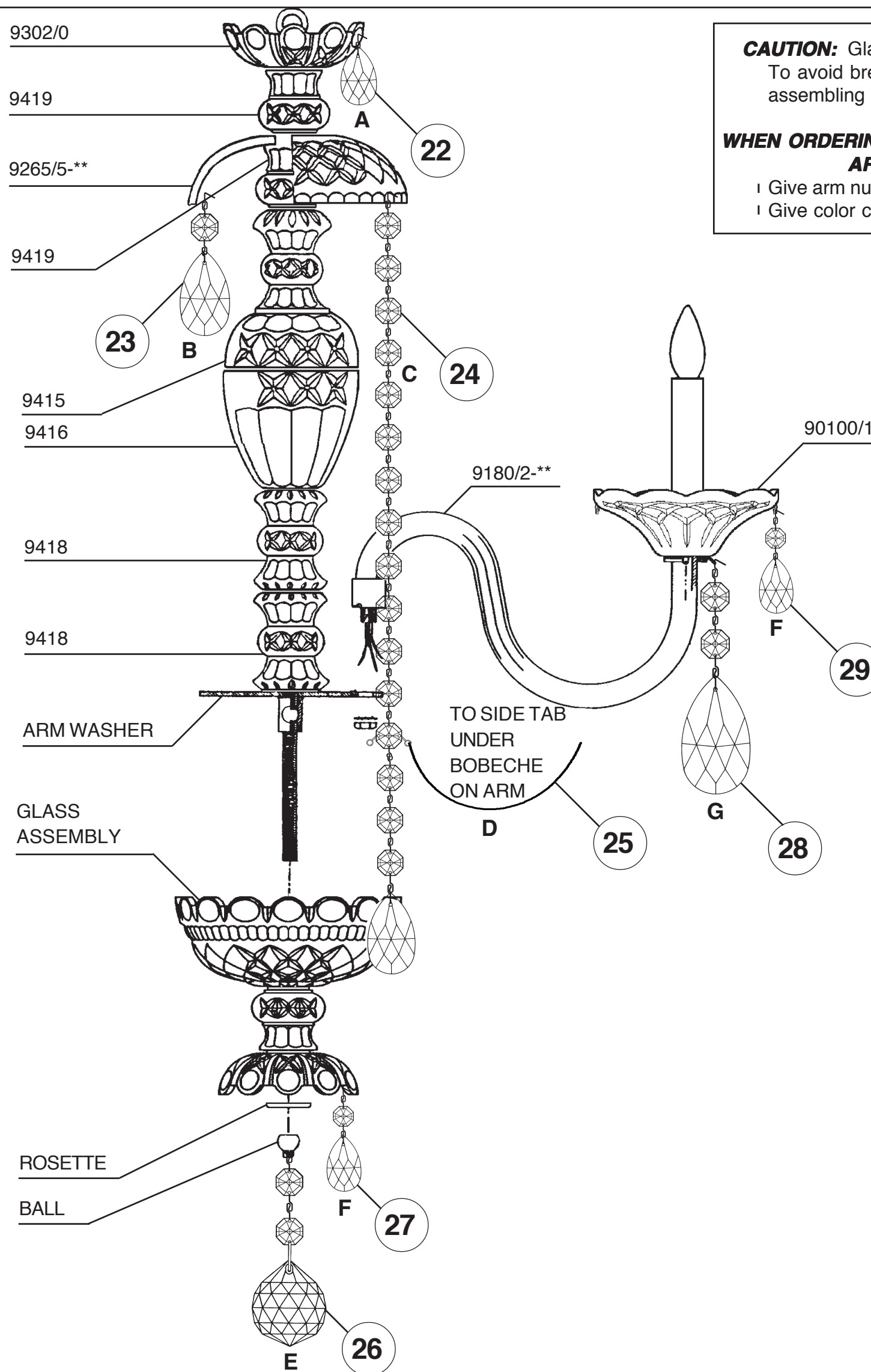
21

You will need 7 - B10
25 Watts Recommended
60 Watts Max

Install bulbs and be sure
to test fixture **BEFORE**
trimming.

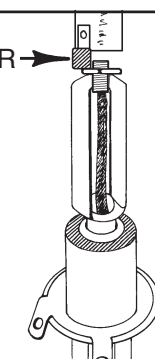
20

Install arms into washer. Line up holes in
arms with dimple in washer. Use lock washer
and nut to secure arms in place.
Connect ground wire in each arm to ground wire
in center column. **NO MORE THAN 5-WIRES
PER WIRE NUT.** Use electrical tape to secure
wire nuts.
Connect white arm wires to neutral column wire
(ribbed or marked is neutral).
Connect black arm wires to the power wire in
column.
Carefully press wires as close as possible to
the underside of washer.
Attach glass assembly with rosette and ball.



CAUTION: Glass parts are fragile.
To avoid breakage use care when
assembling or cleaning.

COLOR →



**WHEN ORDERING REPLACEMENT
ARM(S):**

- ! Give arm number from trim diagram
- ! Give color code from the arm itself

