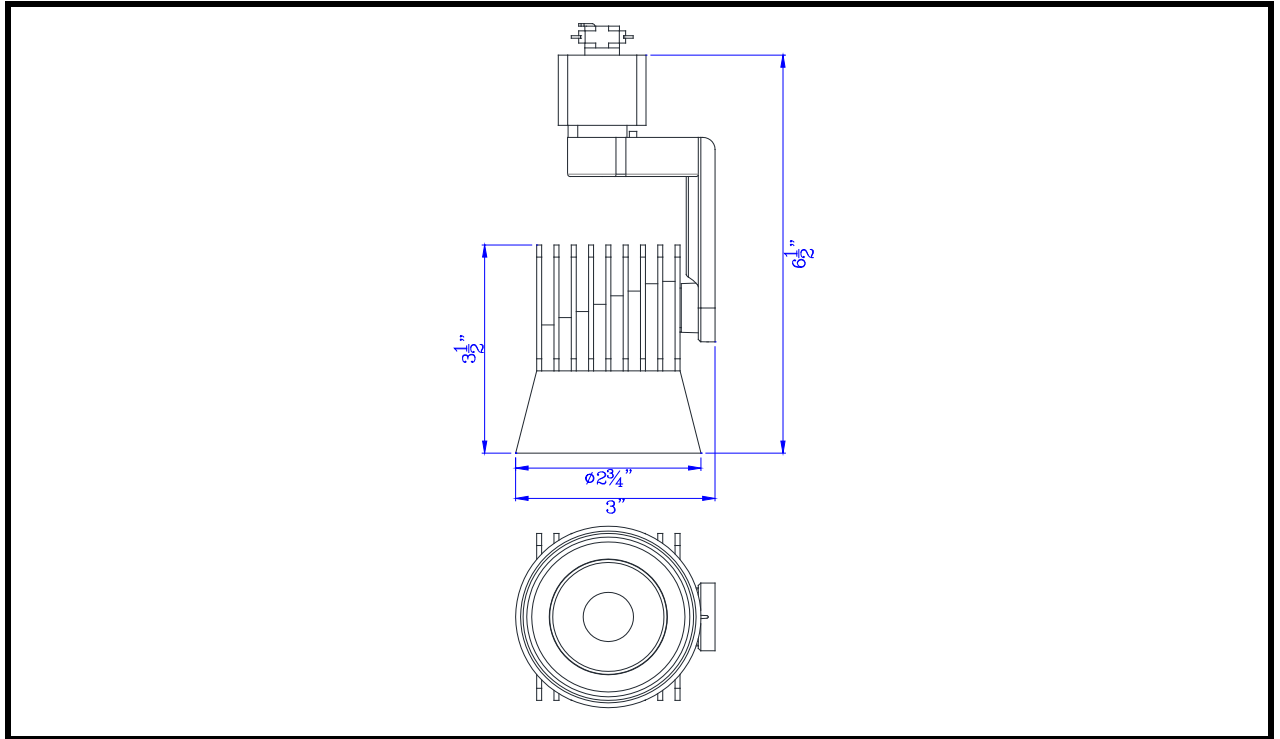




CAL LIGHTING

3625 E. Philadelphia St. Ontario CA. 91761 ◦ Tel: 909.947.5200 ◦ Fax:
909.947.5673 ◦ www.calighting.com ◦ service@calighting.com ◦
Specifications subject to change without notice

Type: _____
Project: _____
Catalog No.: _____
Lamp/Wattage: _____



- Model No. :** HT-807
Description: Dimmable Integrated LED Track Fixture
Material: Metal
Finish : Black
Rotation : 355 degree
Capability : +90 degree from horizontal
Voltage : 120V
Wattage : 12W
Dimming: Dimmable,DVCL-153P/SCL-153P/AYCL-153P/CTCL-153P/DVCL-253P/
GT-150/GTJ-250M (ALL ARE LUTRON BRAND)
Color Temp: 3000K
Lumen : 840
CRI : 85
Beam: 38 degree
Efficacy: 70
Rated Life : 30,000 hours
Warranty: Three Years
Certificate :

