

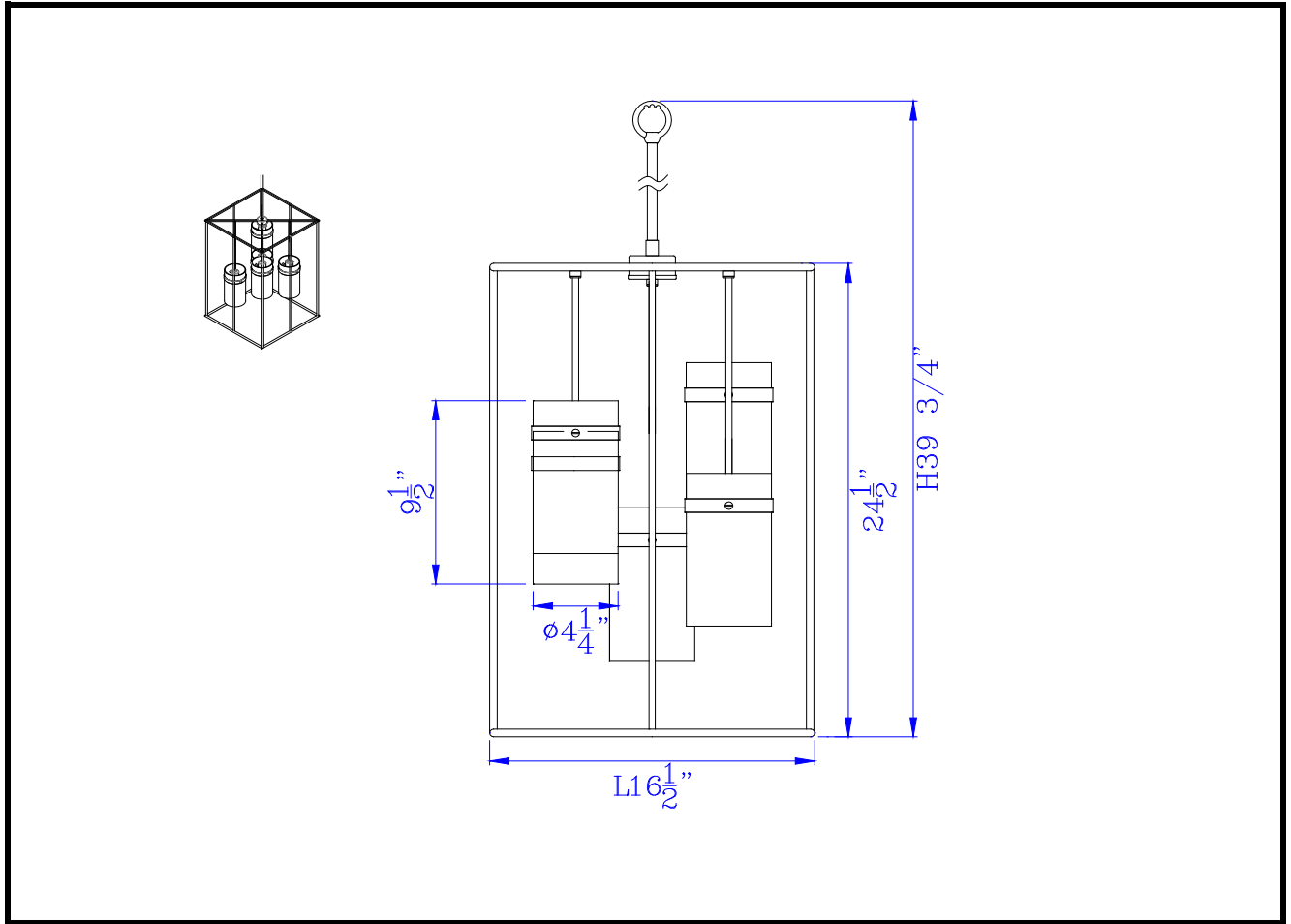


CAL LIGHTING

3625 E. Philadelphia St. Ontario CA. 91761 • Tel: 909.947.5200 • Fax:
909.947.5673 • www.calighting.com • service@calighting.com •
Specifications subject to change without notice

Type: _____
Project: _____
Catalog No.: _____
Lamp/Wattage: _____

Drawing:



Model No: FX-3680-5
Description: 60W x 5 Cremona glass pendant fixture
Material: Metal/Glass
Finish : Black/Antique Brass
Height: 39 3/4"
Width: 16 1/2" x 16 1/2"
Wattage : 60Wx5
Socket : Medium Base (E26)
Bulb: Incandescent
Chain Length: 6'
Wire Length: 10"
Wire Color: Black
Shade No: None
Material: Glass
Shade size: 4 1/4"x 4 1/4" x 7 3/4"

Certificate : 