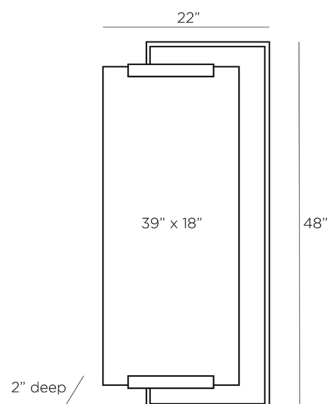


ARTERIOS

PRINCETON MIRROR



6985

H: 48 IN, W: 22 IN, D: 2 IN

Natural Iron

Contract Suitable As Is

The architectural Princeton mirror is at once minimalist and statement-making. The industrial-style mirror is gripped into place by an offset, clamp-style frame made of forged natural iron. The mirror can be hung vertically or horizontally, and is fitted with a security cleat for hanging.

APPEARANCE

Material	Iron, Mirror
Finish	Natural Iron, Plain
Top Coat/Sealant	false

DIMENSIONS

Mirror Size	H: 39 IN, W: 18 IN
-------------	--------------------

SHIPPING

Shipping Requirements	TruckShip
Product Weight	32 LBS
Gross Weight 1	67.2 LBS
Shipping Box 1	H: 55 IN, L: 9 IN, W: 31 IN

ADDITIONAL INFO

Features	T-Screw Hardware Included
Hanger Position	All Four Directions
Hanger Type	Security Cleat
Hanger Size	12"

CONTRACT

Contract Suitable	true
-------------------	------