



CAL LIGHTING

3625 E. Philadelphia St. Ontario CA. 91761 • Tel: 909.947.5200 • Fax:
909.947.5673 • www.calighting.com • service@calighting.com •
Specifications subject to change without notice

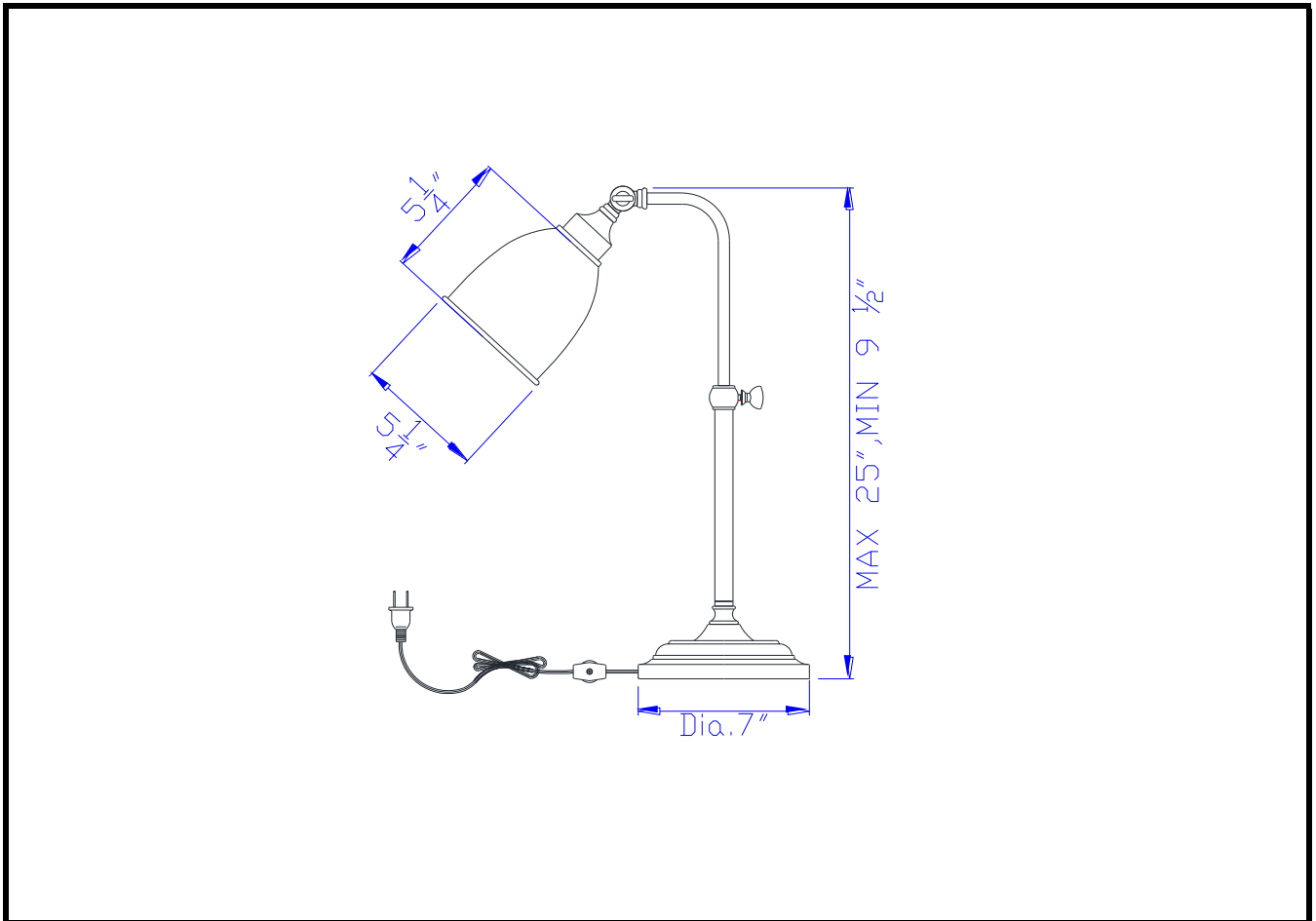
Type: _____

Project: _____

Catalog No.: _____

Lamp/Wattage: _____

Drawing:



Model No: BO-2032TB
Description: Pharmacy Table Lamp with Adjustable Pole
Material: Metal
Finish : RU (Rust)
Height: 25" Max
Base Width: 7"
Wattage : 60W
Socket : Medium Base (E27)
Switch: On/Off in-line
Bulb: Incandescent, CFL
Wire Length: 6'
Wire Color: Brown
Shade No:
Material: Metal
Shade size: Dia 5 1/4"

Certificate :

