



CAL LIGHTING

3625 E. Philadelphia St. Ontario CA. 91761 • Tel: 909.947.5200 • Fax:
909.947.5673 • www.calighting.com • service@calighting.com •
Specifications subject to change without notice

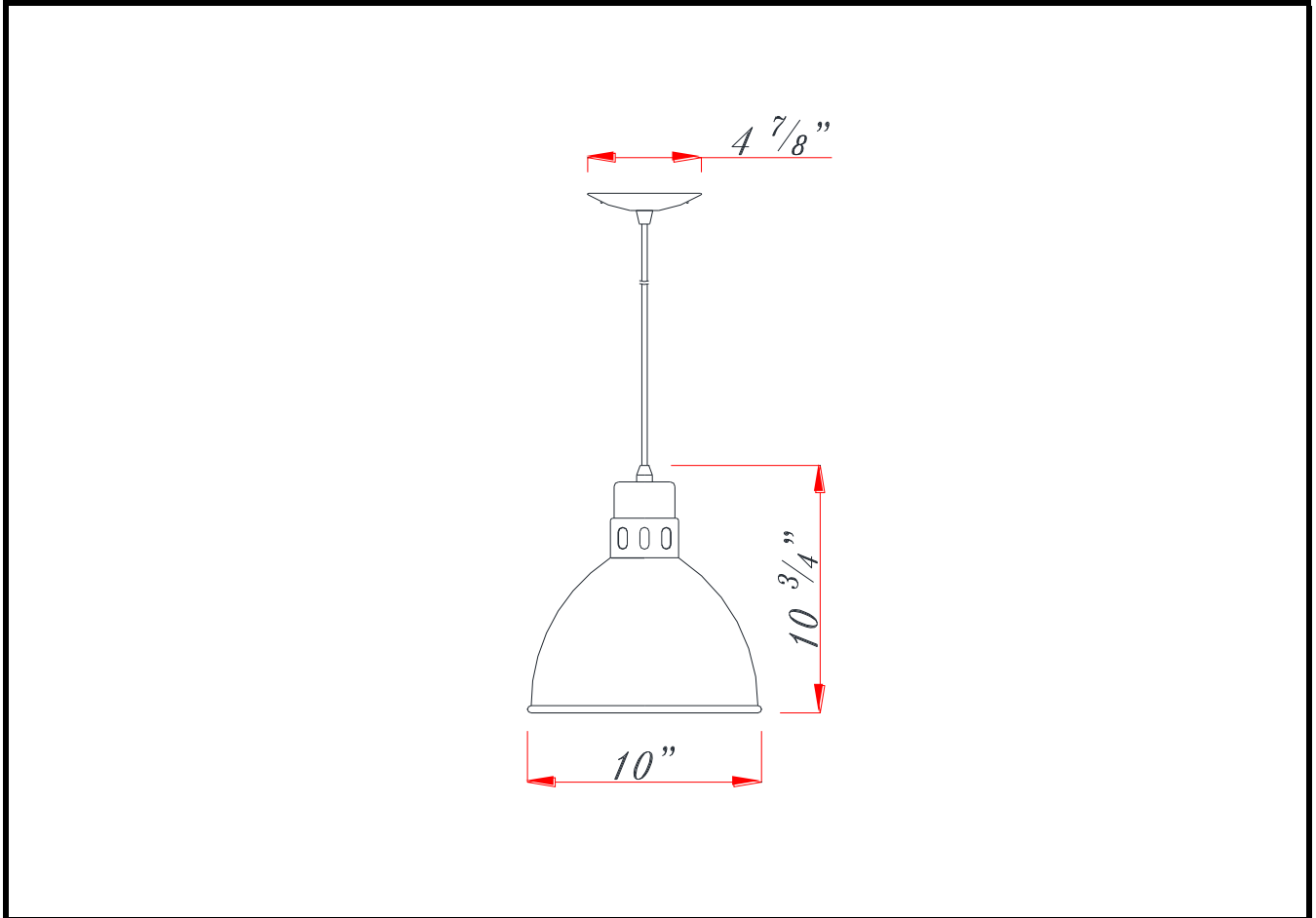
Type: _____

Project: _____

Catalog No.: _____

Lamp/Wattage: _____

Drawing:



- Model No:** UP-1109-6
- Description:** 150W Webster metal pendant
- Material:** Metal
- Finish :** DB (Dark Bronze)
- Height:** 10 3/4"
- Width:** 10"
- Wattage :** 150W
- Socket :** Medium Base (E26)
- Bulb:** Incandescent
- Chain Length:**
- Wire Length:** 6'
- Wire Color:** Black
- Canopy:** Dia. 4 7/8"
- Shade #:**
- Shade size:**

Certificate :

