

# WAC LIGHTING

Fixture Type: \_\_\_\_\_

Catalog Number: \_\_\_\_\_

Project: \_\_\_\_\_

Location: \_\_\_\_\_

## Reflex 17W H/J/L Track Luminaire

System Type	Model	Beam	Color Temp & CRI	Lumens	CBCP	Finish
H	LED17	F 45°	27 2700K - 85	910	1225	BK Black BN Brushed Nickel WT White
J			30 3000K - 85	860	1145	
L			35 3500K - 85	950	1280	
			40 4000K - 85	1035	1375	
		S 20°	27 2700K - 85	990	3440	
	30 3000K - 85		990	3590		
	35 3500K - 85		1025	3420		
	40 4000K - 85		1125	3780		

Example: **H-LED17F-27-BK**

### DESCRIPTION

High-performance and precise thermal management with robust die-cast construction makes this luminaire perfect for general, accent and wall wash applications in residential and commercial environments.

### FEATURES

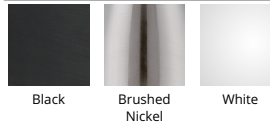
- Accepts 1 lens/accessory
- 360° horizontal rotation and 180° vertical aiming
- Free of projected heat, UV and IR radiation
- Driver concealed within the fixture
- 5 year warranty

### SPECIFICATIONS

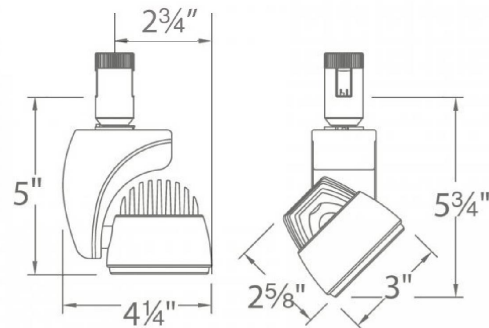
Construction:	Die-cast aluminum
Power:	17W
Input:	120 VAC, 50/60Hz
Dimming:	ELV: 100-10%
Light Source:	Integrated LED
	3 Step Mac Adam Ellipse
Lens:	Clear Lens
Rated Life:	100000 Hours
Finish:	Electrostatically Powder Coated White, Black, Electroplated Brushed Nickel
Operating Temp:	-4°F to 104°F (-20°C to 40°C)
Standards:	ETL, cETL, Dry Location Listed



### FINISHES



### LINE DRAWING



Fixture Type: \_\_\_\_\_

Catalog Number: \_\_\_\_\_





Project: \_\_\_\_\_

Location: \_\_\_\_\_

## Reflex

17W H/J/L Track Luminaire

### ACCESSORIES

	<i>Model</i>	<i>Description</i>	<i>Finish</i>
	<b>LENS-20-AMB</b> <b>LENS-20-BLU</b> <b>LENS-20-GRN</b> <b>LENS-20-RED</b> <b>LENS-20-YEL</b>	<i>Colored Lens</i> <i>Colored Lens</i> <i>Colored Lens</i> <i>Colored Lens</i> <i>Colored Lens</i>	<i>Amber</i> <i>Blue</i> <i>Green</i> <i>Red</i> <i>Yellow</i>
	<b>LENS-20-FR</b>	<i>Clear/Frosted Lens</i>	<i>Frosted</i>
	<b>LENS-20-SPR</b>	<i>Spread Lens</i>	<i>Spread Lens</i>
	<b>LENS-20-BEL</b>	<i>Beam Elongating Lens</i>	<i>Beam Elongating</i>