

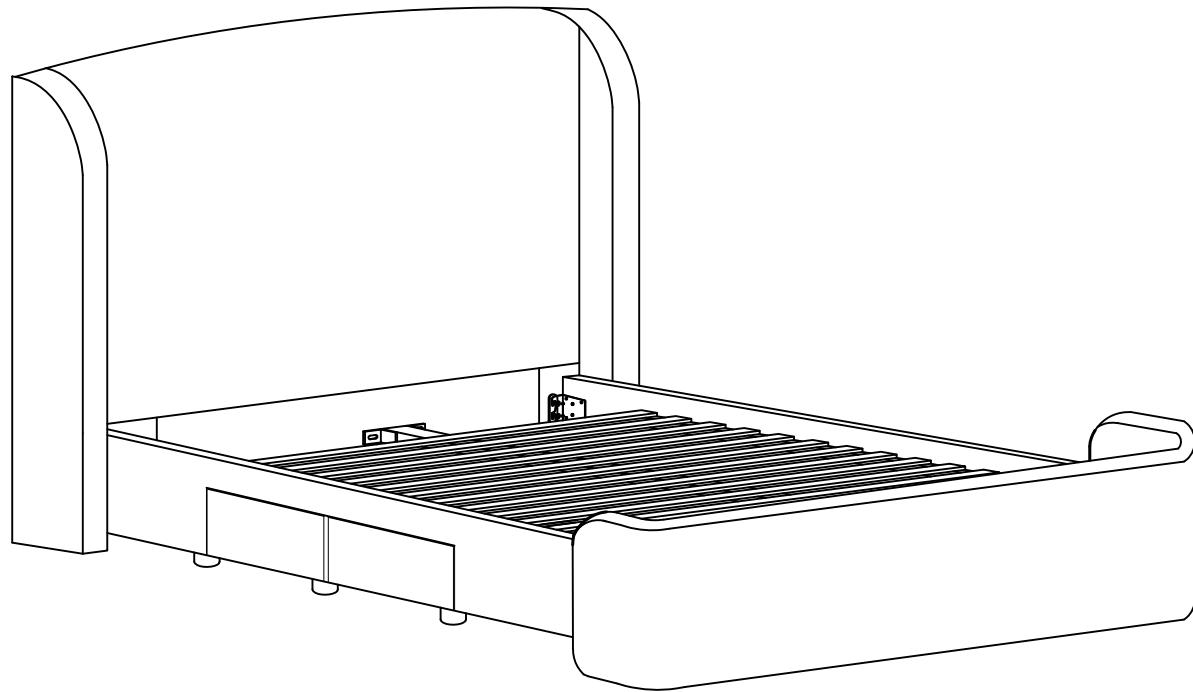
MOE'S

home collection

ASSEMBLY INSTRUCTIONS.

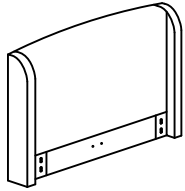


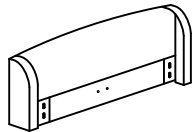
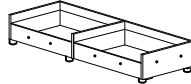



SOPHIA QUEEN BED CREAM

RN-1152-05-0



THANK YOU FOR YOUR PURCHASE!

PARTS AND HARDWARE.

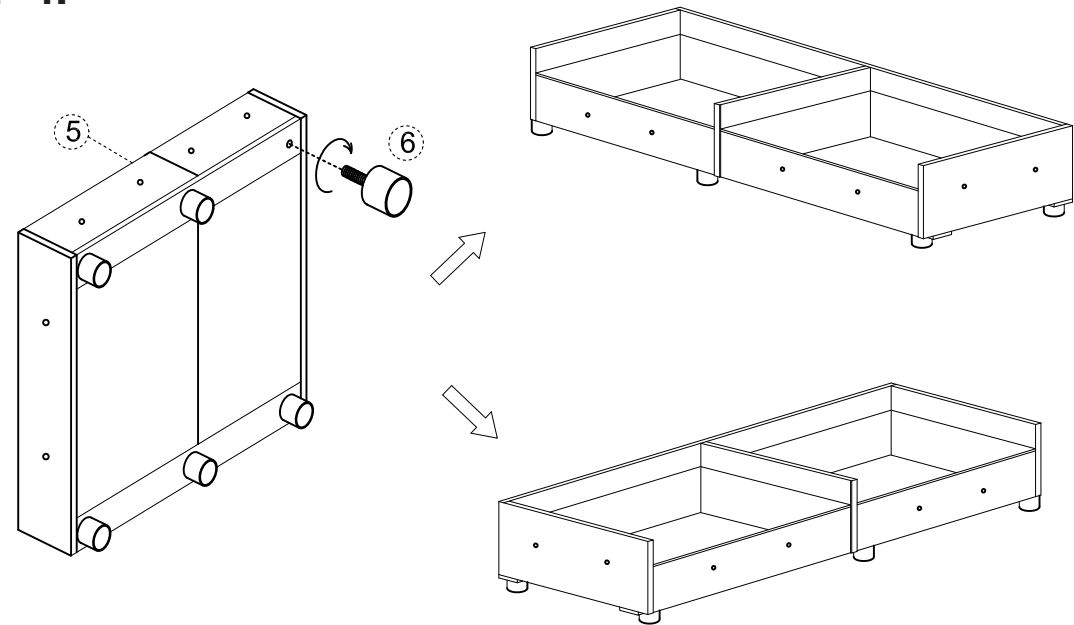
| | |
|-----------------------------------------------------------------------------------|------------------------------------------------------------------------------------|
|  |  |
| ① Headboard=1pc | ② Right Side Rail=1pc |
|  |  |
| ③ Left Side Rail=1pc | ④ Footboard=1pc |
|  |  |
| ⑤ Drawer=2pcs | ⑥ Feet=12pcs |
|  |  |
| ⑦ Gold Bolts (M8*18mm) =16pcs | ⑧ Allen Key=1pc (m5) |

NOTES.

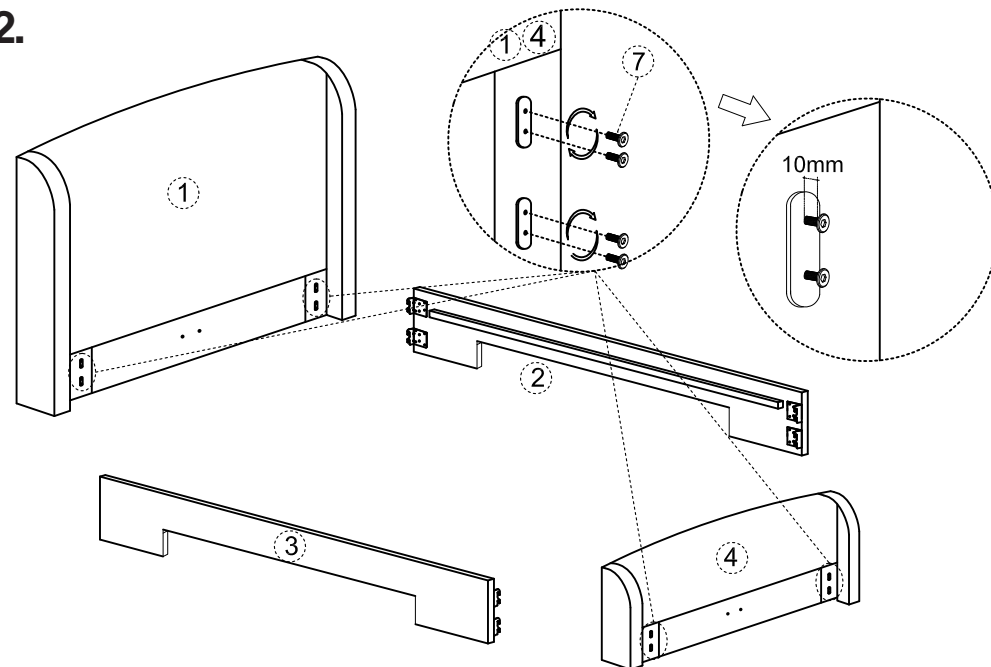
Thank you for purchasing this quality product! Be sure to check all packing material carefully for small part that may have come loose inside the carton during shipping.

CAUTION: The item is heavy, assembly should be performed by two people.

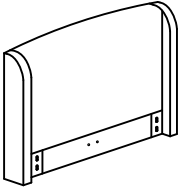

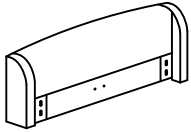
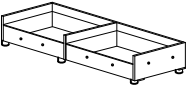


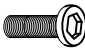

STEP 1.



STEP 2.



PARTS AND HARDWARE.

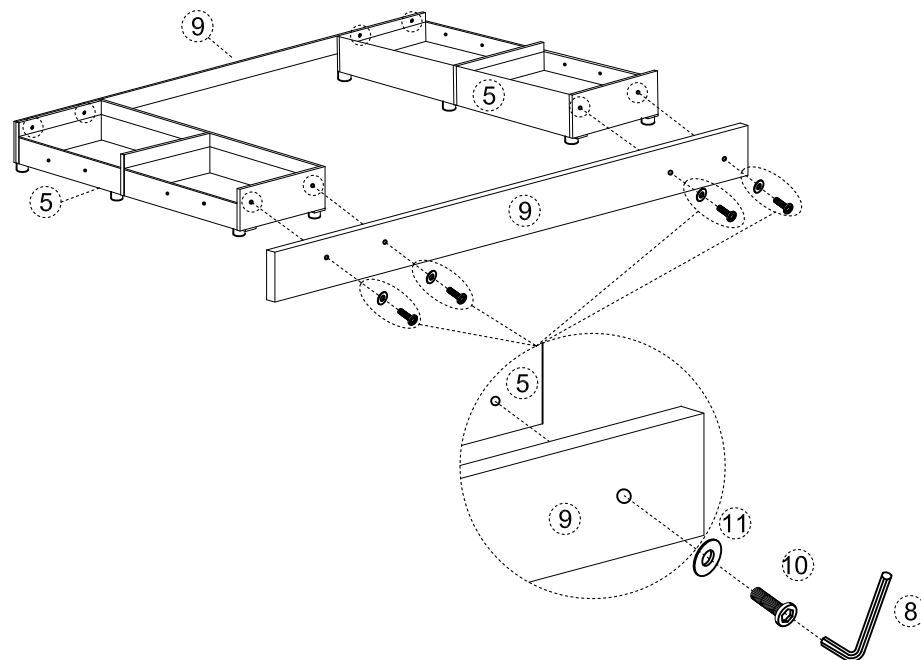
| | |
|-------------------------------------------------------------------------------------------|------------------------------------------------------------------------------------|
|  |  |
| ① Headboard=1pc | ② Right Side Rail=1pc |
|  |  |
| ④ Footboard=1pc | ⑤ Drawer=2pcs |
|  (m5) |  |
| ⑧ Allen Key=1pc | ⑨ Bed side panels =2pcs |
|  |  |
| ⑩ Bolts (M8*25mm) =8pcs | ⑪ Washers (m8) =8pcs |

NOTES.

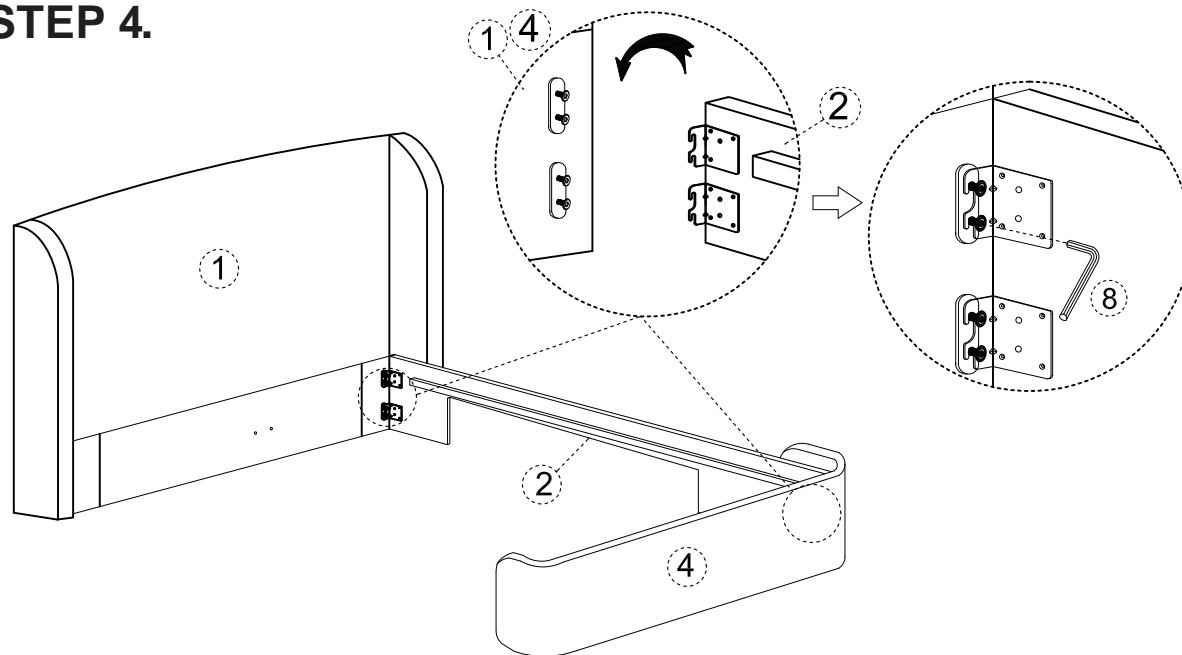
Thank you for purchasing this quality product! Be sure to check all packing material carefully for small part that may have come loose inside the carton during shipping.

CAUTION: The item is heavy, assembly should be performed by two people.

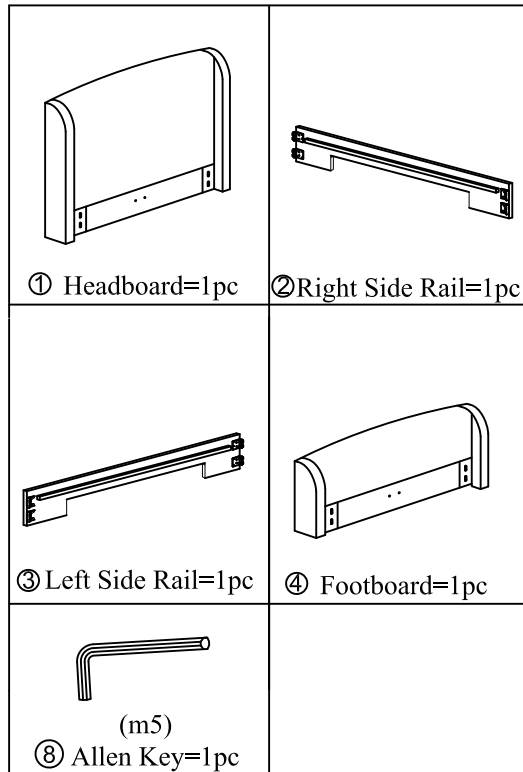
STEP 3.



STEP 4.



PARTS AND HARDWARE.

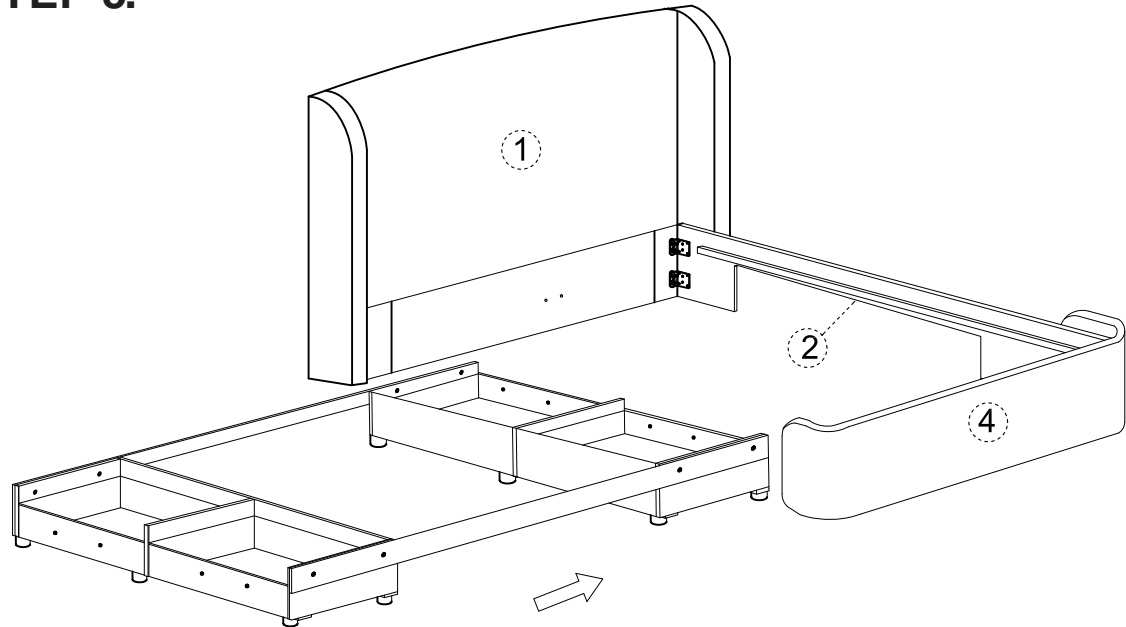


NOTES.

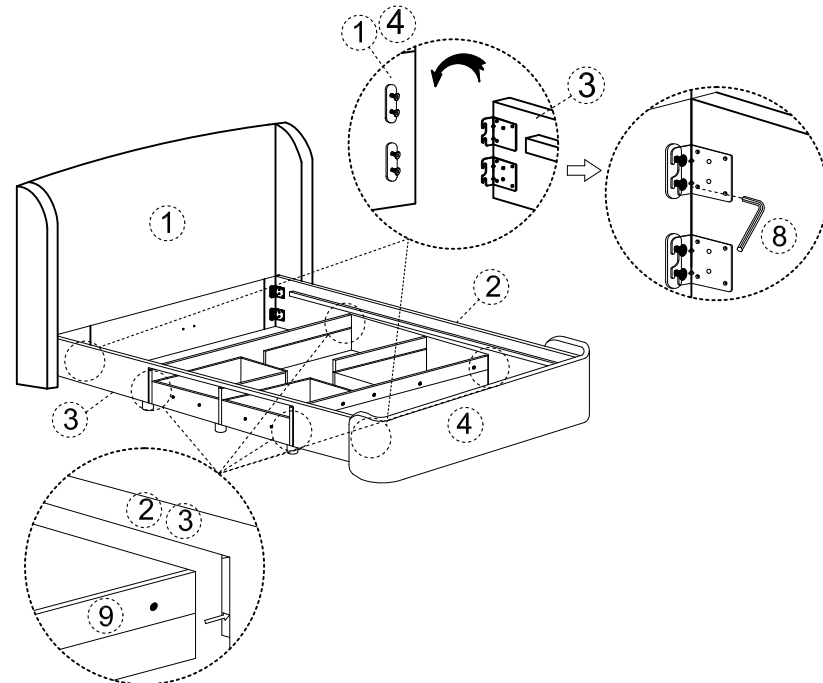
Thank you for purchasing this quality product! Be sure to check all packing material carefully for small part that may have come loose inside the carton during shipping.

CAUTION: The item is heavy, assembly should be performed by two people.


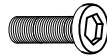

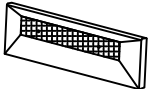
STEP 5.



STEP 6.



PARTS AND HARDWARE.

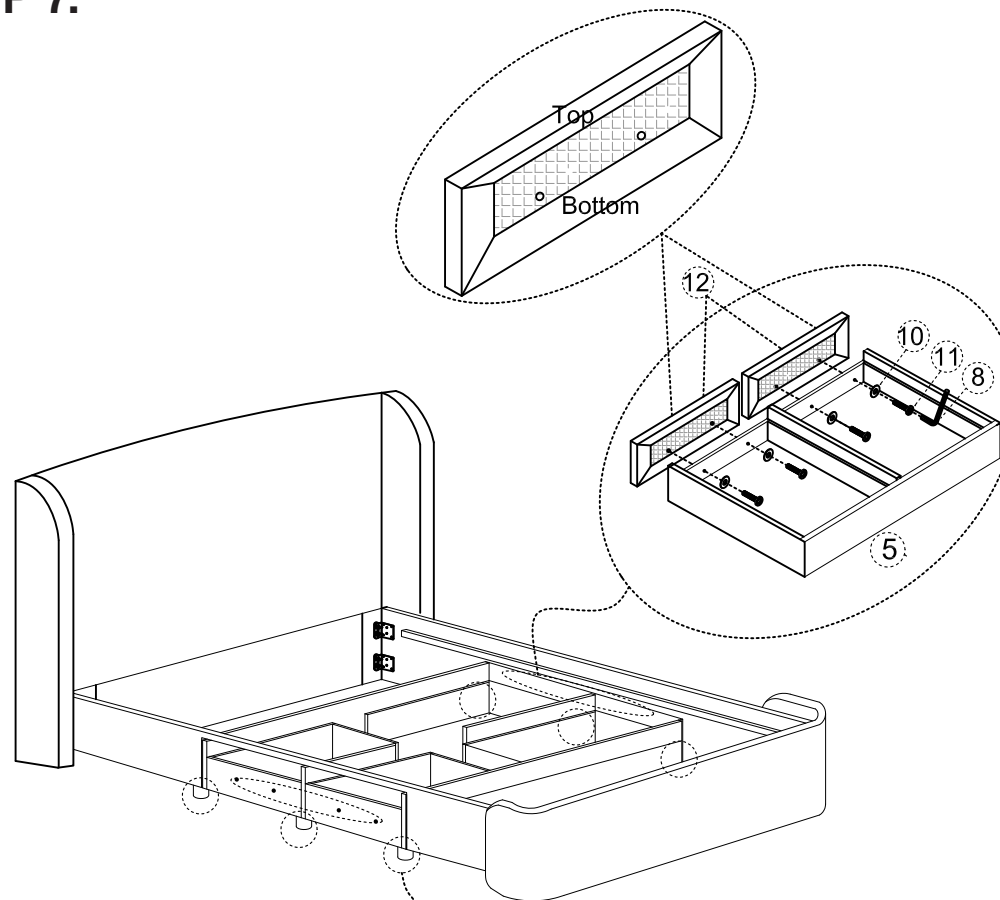
| | |
|--------------------------------------------------------------------------------------------------------------|----------------------------------------------------------------------------------------------------------------|
|  (m5) ⑧ Allen Key=1pc |  ⑩Bolts (M8*25mm) =8pcs |
|  ⑪Washers (m8) =8pcs |  ⑫Drawer Boards =4pcs |

NOTES.

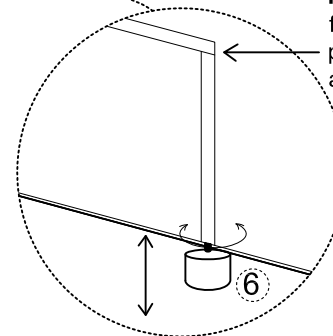
Thank you for purchasing this quality product! Be sure to check all packing material carefully for small part that may have come loose inside the carton during shipping.

CAUTION: The item is heavy, assembly should be performed by two people.

STEP 7.


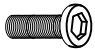


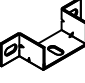

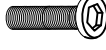


Notes: If footboard & Drawer front board are not align , please adjust the legs ,but 5mm adjustable max



Legs:5mm adjustable

PARTS AND HARDWARE.

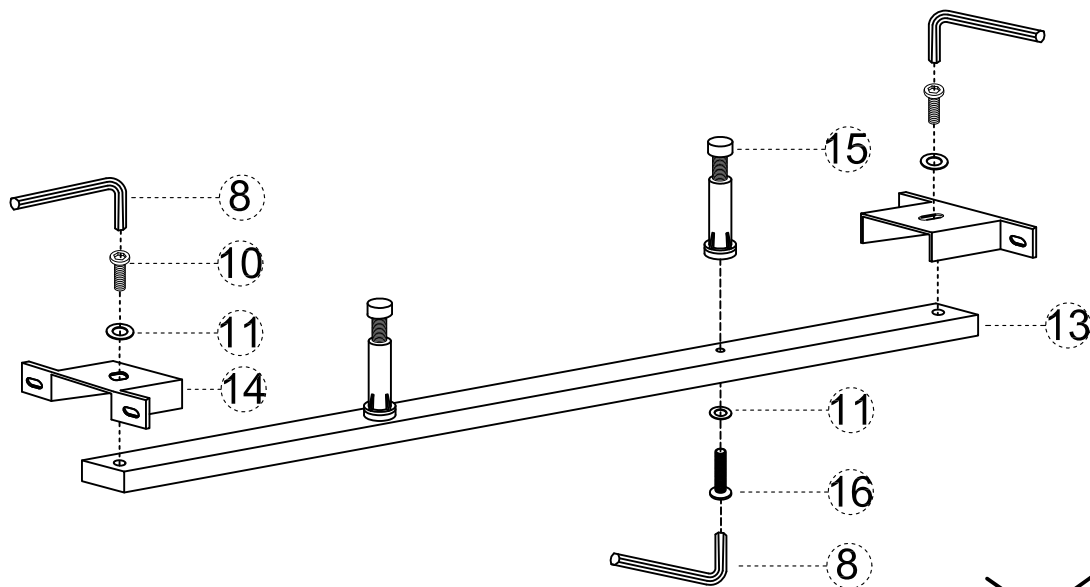
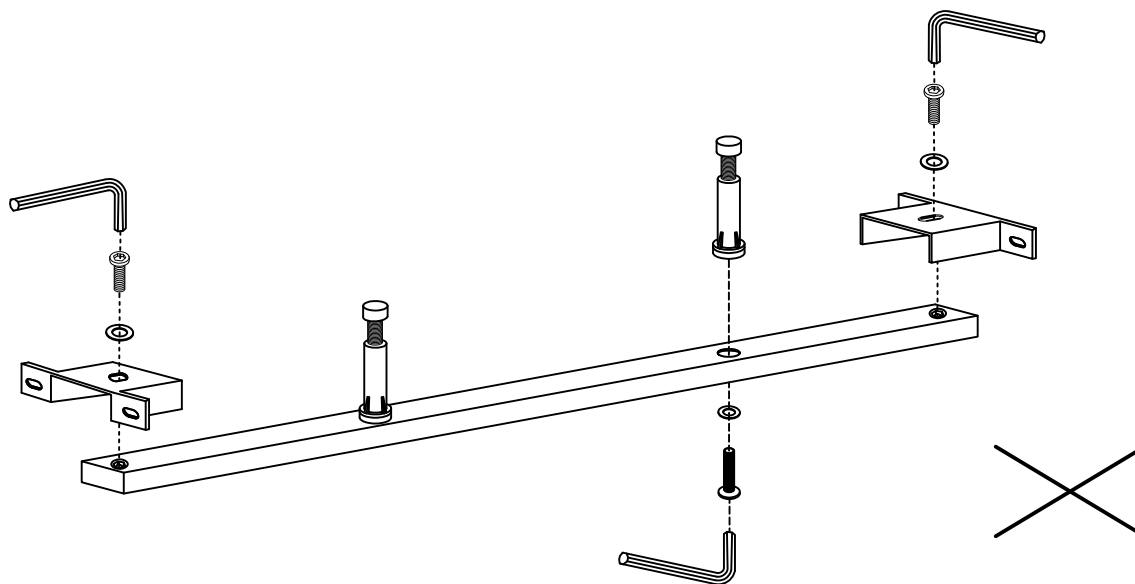
| | |
|-----------------------------------------------------------------------------------------------------------------|----------------------------------------------------------------------------------------------------------------|
|  (m5) ⑧ Allen Key=1pc |  ⑩Bolts (M8*25mm) =2pcs |
|  ⑪Washers (m8) =4pcs |  ⑬Center Support =1pc |
|  ⑭ Brackets=2pcs |  ⑮Support Legs=2pcs |
|  ⑯Bolts (M8*40mm) =2pcs | |

NOTES.


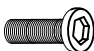



Thank you for purchasing this quality product! Be sure to check all packing material carefully for small part that may have come loose inside the carton during shipping.

CAUTION: The item is heavy, assembly should be performed by two people.

STEP 8.



PARTS AND HARDWARE.

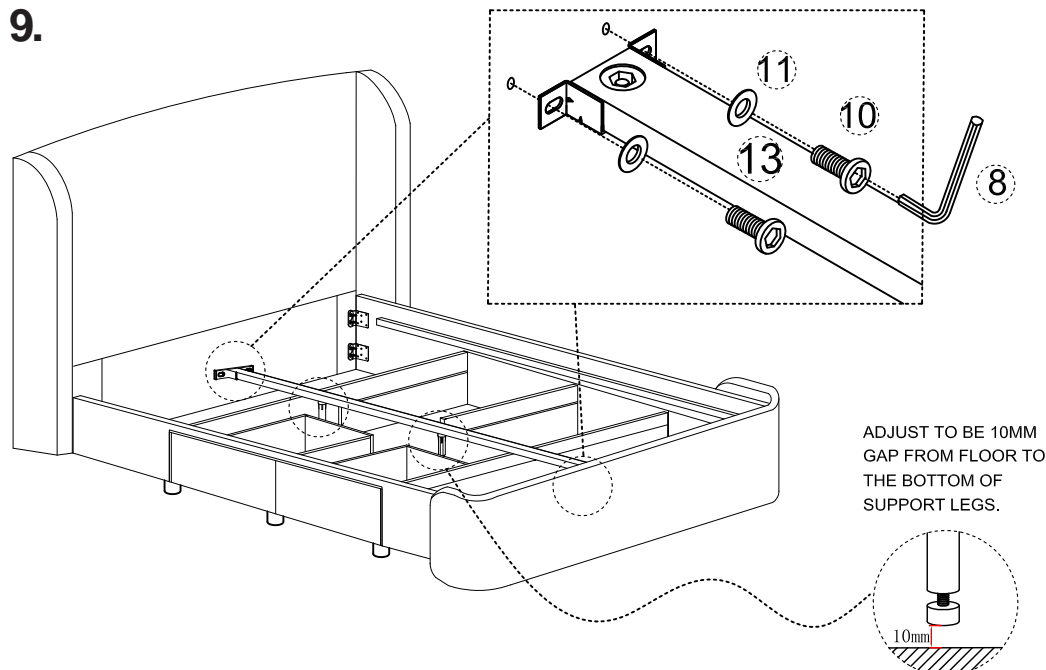
| | |
|--------------------------------------------------------------------------------------------------------------|-----------------------------------------------------------------------------------------------------------------|
|  (m5) ⑧ Allen Key=1pc |  ⑩Bolts (M8*25mm) =4pcs |
|  ⑪Washers (m8) =4pcs |  ⑰Screws(M8*32mm) =42pcs |
|  ⑱ Slats x1 | |

NOTES.

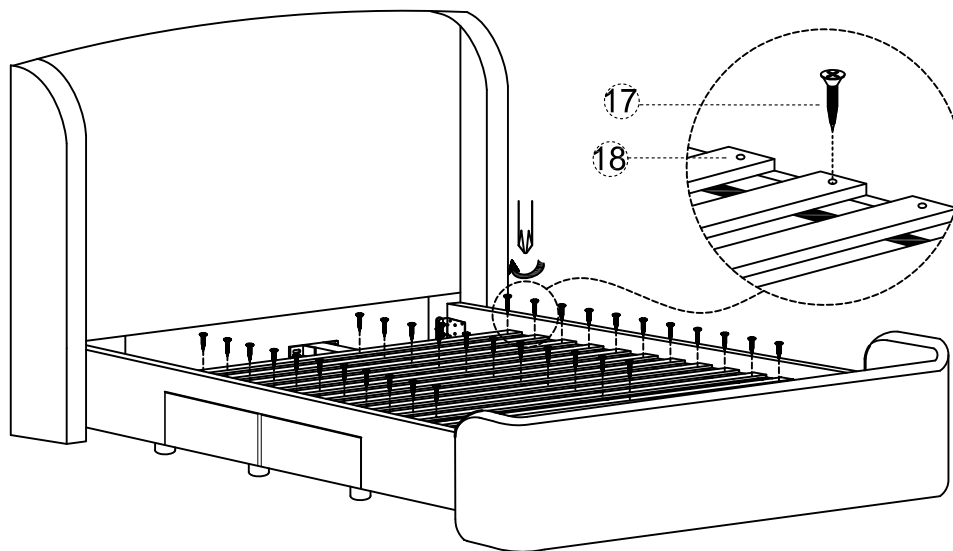
Thank you for purchasing this quality product! Be sure to check all packing material carefully for small part that may have come loose inside the carton during shipping.

CAUTION: The item is heavy, assembly should be performed by two people.

STEP 9.



STEP 10.



Warning: When you need to move the bed please lift it, do not drag it.