

Kemal I light Sconce

4130701 | 1.0

GENERATION LIGHTING

WALL

CAUTION - RISK OF FIRE

This product must be installed in accordance with the applicable installation code by a person familiar with the construction and operation of the product and the hazards involved.

Use minimum 90°C supply conductors.

GENERAL PRODUCT INFORMATION:

These fixtures are intended to be installed utilizing NEC compliant junction boxes.

This product is safety listed for damp locations.

Incandescent version may be dimmed with a standard incandescent dimmer. LED version may be dimmed with a LED dimmer. Consult lamp manufacturer for additional information.

This instruction shows a typical installation.

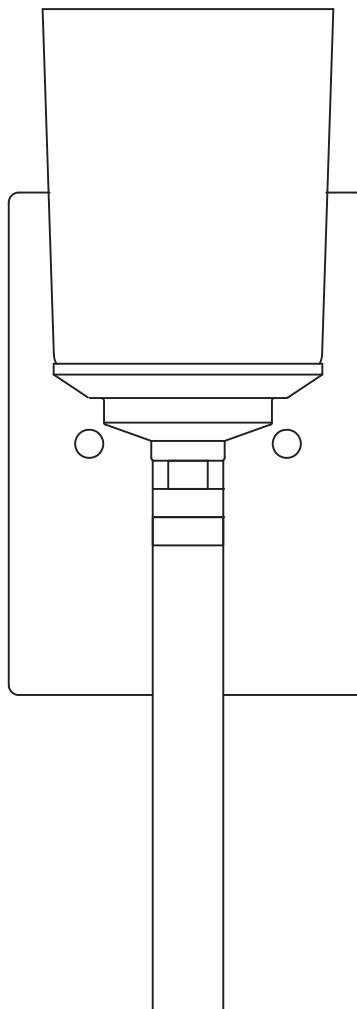
GENERATION LIGHTING

7400 Linder Ave, Skokie, IL 160077

800.969.3347

www.generationlighting.com

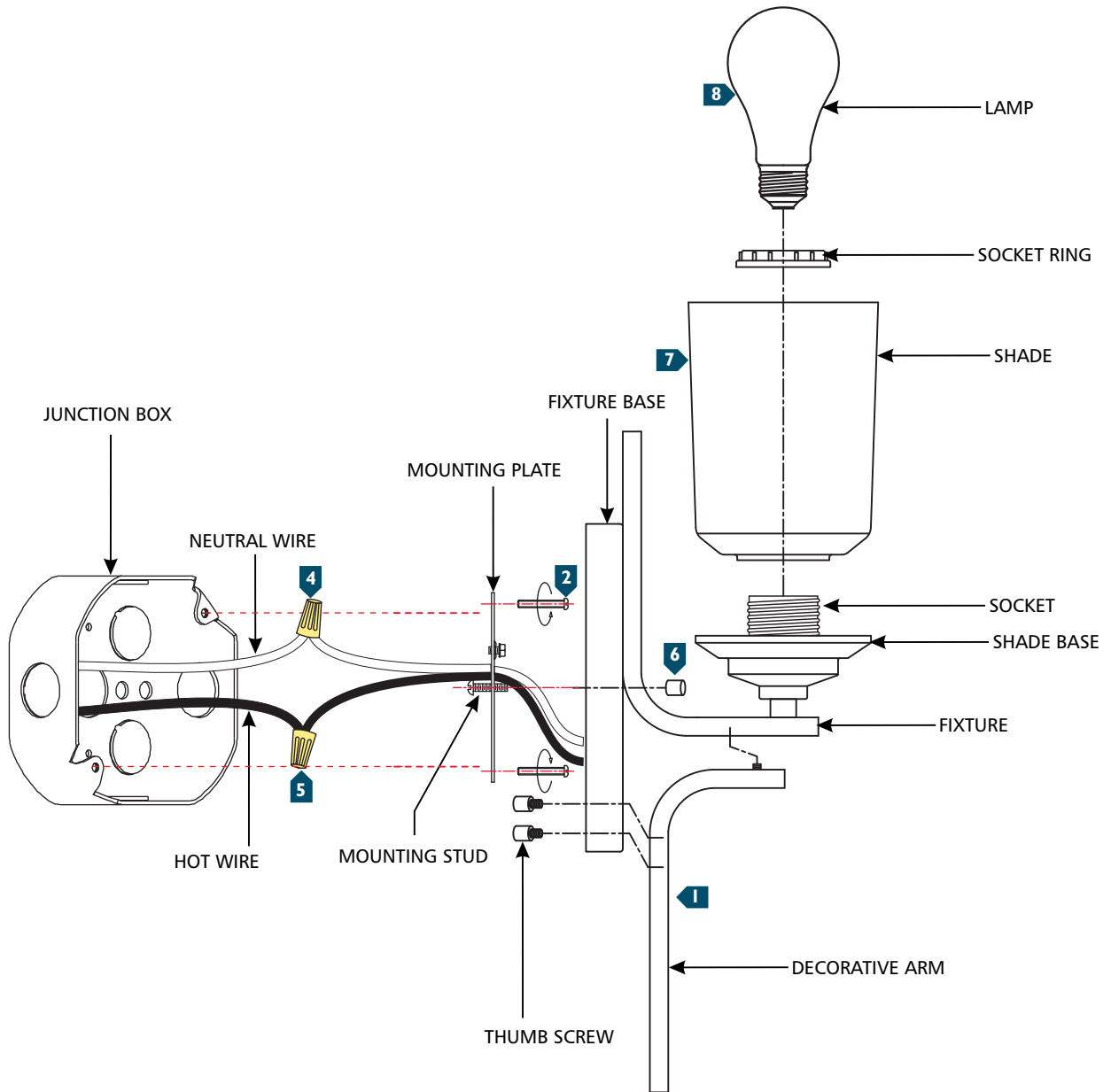
© 2020 Generation Lighting. All rights reserved.
The "Generation Lighting" graphic is a registered trademark of Generation Lighting. Generation Lighting reserves the right to change specifications for product improvements without notification.



SAVE THESE INSTRUCTIONS!

Install the Fixture

1A



- 1** Align the decorative arm to the fixture and secure it to the base with the two provided thumb screws.
- 2** Secure the mounting plate to the junction box.
- 3** Connect the fixture to a suitable ground in accordance to local electrical codes.
- 4** Connect the white fixture wire (square and/or rigid) to the neutral power line wire with a wire nut.
- 5** Connect the black fixture wire (round and/or smooth) to the hot power line wire with a wire nut.
- 6** Neatly place all the wires into the junction box, place the fixture base onto the mounting studs, and secure it in place by screwing the cap nuts onto the studs.
- 7** Place the shade over the socket and secure it in place by screwing the socket ring onto the socket.
- 8** Screw the lamp into the socket. Refer to the label on the socket for Max Wattage Information.