

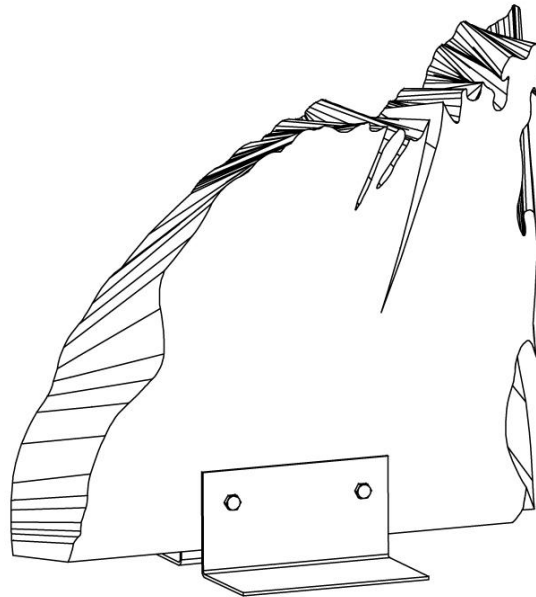
MOE'S

home collection

ASSEMBLY INSTRUCTIONS.

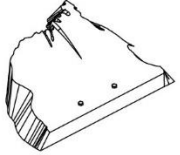
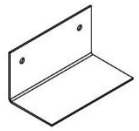



RECLAIMED TEAK SCULPTURE

EI-1067-01



THANK YOU FOR YOUR PURCHASE!

PARTS AND HARDWARE.

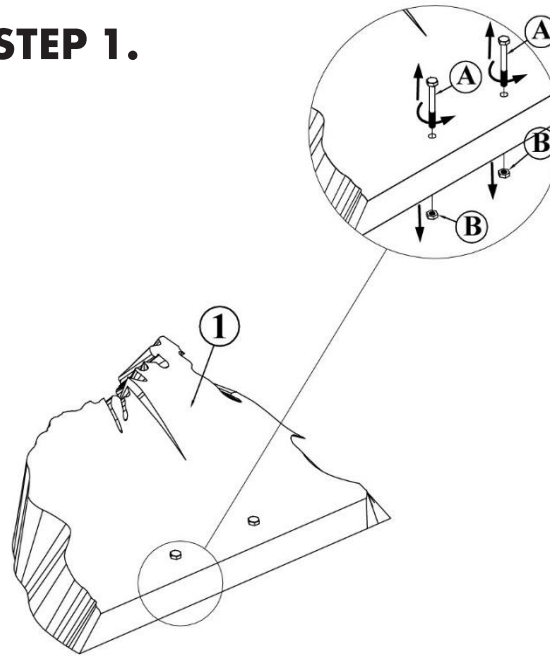
1. TEAK SCULPTURE x 1 	2. IRON STAND x 2 
A. BOLT M8-70 x 3 	B. NUT M8 x 3 
C. WRENCH (NOT PROVIDE) 	

NOTES.

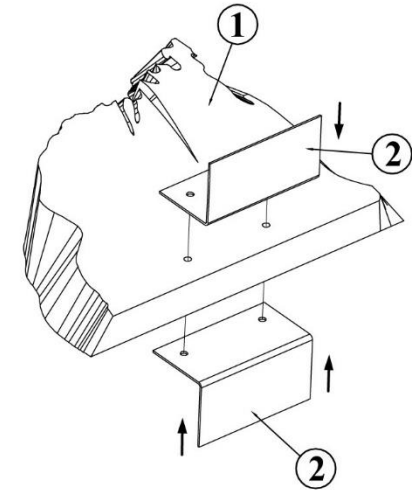
Thank you for purchasing this quality product! Be sure to check all packing material carefully for small parts that may have come loose inside the carton during shipping.

CAUTION: Ensure not to over tighten bolts to reduce the risk of stripping or breakage.

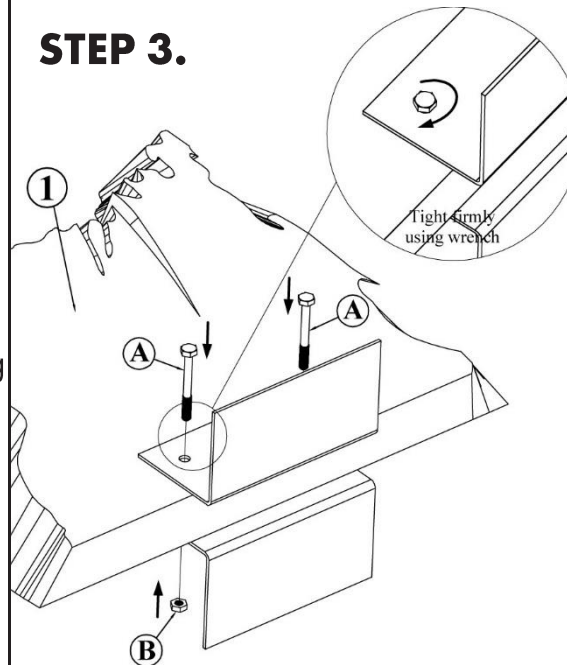
STEP 1.



STEP 2.



STEP 3.



STEP 4.

