

Spot

This durable, fully sealed 12V LED landscape Spot is constructed of solid aluminum. It includes an integrated LED module that emits a cool, natural, or warm white light in a narrow beam pattern, all selectable with a 5CCT switch. Can be rotated 180° and equipped with a glare shield for pinpoint accuracy. The landscape spotlight is great for gardens, tree uplighting, architectural lighting, and more.

NEW

2700k 3000k 3500k 4000k 5000k

COLOR TEMPERATURE

180° SWIVEL

WET

ETL Intertek



Model	Size	Watts	Delivered lumens	CRI	Color °T	Voltage
LSP3-CC	3"	10 W	500 lm	80	2700, 3000, 3500,	12 VAC
LSP4-CC	4"	20 W	1000 lm	80	4000, 5000 K	12 VAC

Specifications

Over 50,000 hours of service life
 12VAC input
 Ground stake included
 95° beam angle
 180° swiveling head
 Frosted lens
 Cast aluminum construction
 Switch-selectable CCT: 2700 K/3000 K/
 3500 K/4000 K/5000 K
 Easy-access CCT switch on
 back of spot
 Suitable for wet locations
 5-year warranty

Finish

● **BK** Black

Power supplies

LTRP-60-BK

60W, 120VAC 60Hz input
 12VAC output low-voltage transformer

LTR-300-BK

300W, 120VAC 60Hz input
 12/13/14/15VAC output low-voltage
 transformer

Note

Low-voltage transformer required.
 Sold separately.

Other Color °T and Finishes available, but
 may require MOQ's and longer lead times.
 Please contact your DALs representative
 for more information.

Order example

LSP3-CC-BK

3" landscape spotlight with 500 lumens
 at 3000K in a black finish

Accessories

LAN-ACC-MS

6 3/4" metal ground stake

LSP-EXT04

4" extension arm

LCBL-50-16

50 feet of 16 gauge low-voltage wiring

LCBL-100-16

100 feet of 16 gauge low-voltage wiring

LCBL-50-14

50 feet of 14 gauge low-voltage wiring

LCBL-100-14

100 feet of 14 gauge low-voltage wiring

LCBL-50-12

50 feet of 12 gauge low-voltage wiring

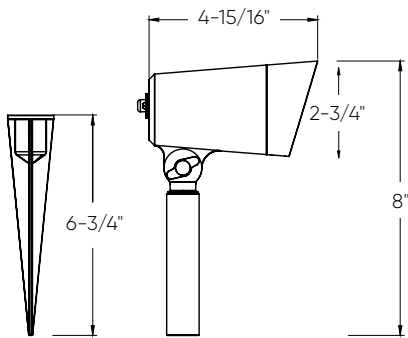
LCBL-100-12

100 feet of 12 gauge low-voltage wiring

LSP-WM

Spotlight wall mount adapter

LSP3-CC



LSP4-CC

