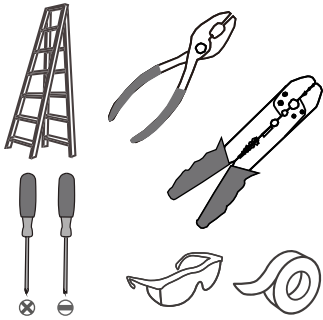
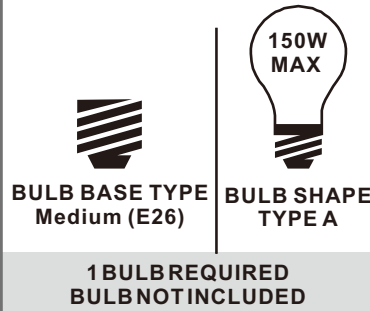


**Tools Required**



**Light Source**



**Warnings and Cautions**

Turn off the electricity at the circuit breaker before installation. Consult a licensed electrician if in doubt about installation.

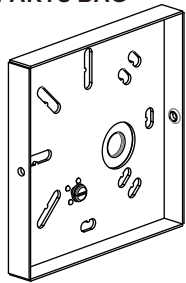
Turn off power to the fixture and allow the bulbs to cool before replacing.

**Package Contents**

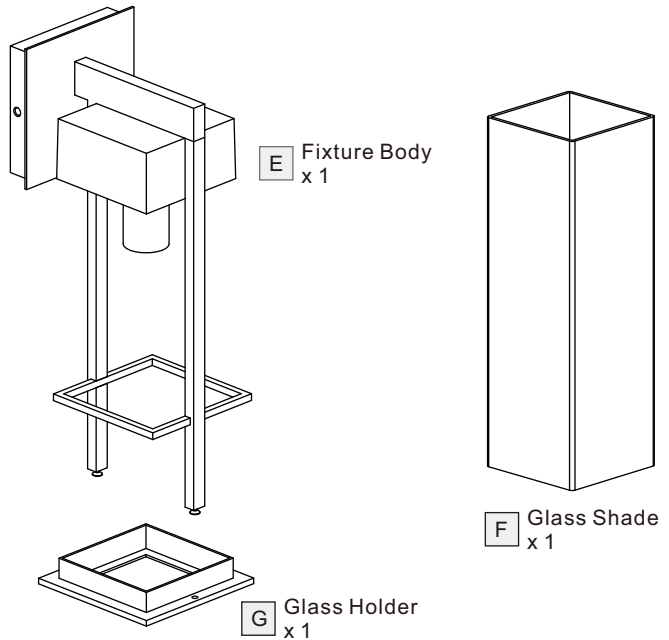
**Preparation:** Identify and inspect all parts before beginning the installation.

Missing or damaged parts? Contact your original place of purchase.

**PARTS BAG**



- A** Inner Backplate x 1
- B** Mounting Screw x 2
- C** Outlet Box Screw x 2
- D** Wire Connector x 3



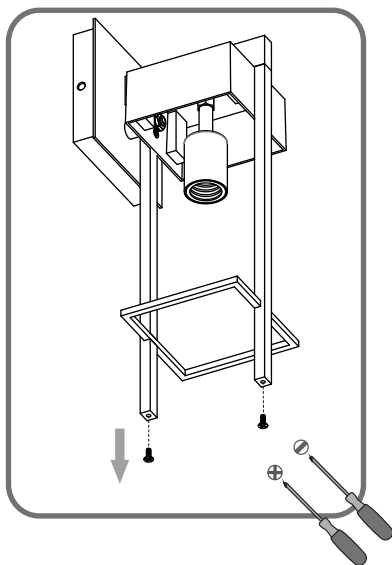
**Table of Contents**

Glass shade	Inner backplate	Wiring	Fixture Body	Bulb	Caulk
STEP 1	STEP 2	STEP 3	STEP 4	STEP 5	STEP 6

# STEP 1

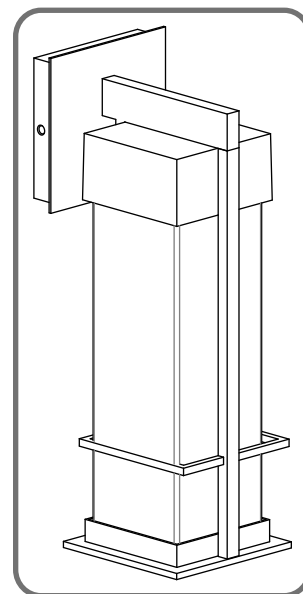
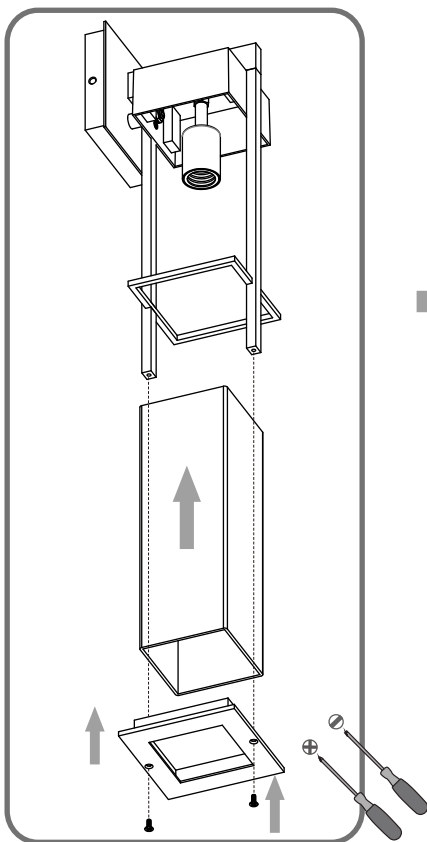
1

Remove lock screw

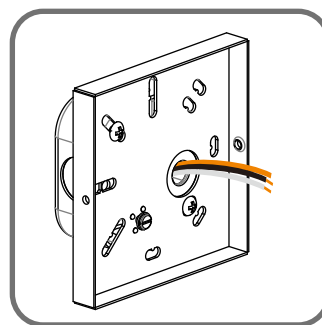
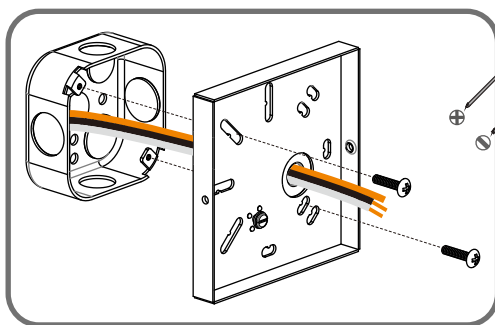


2

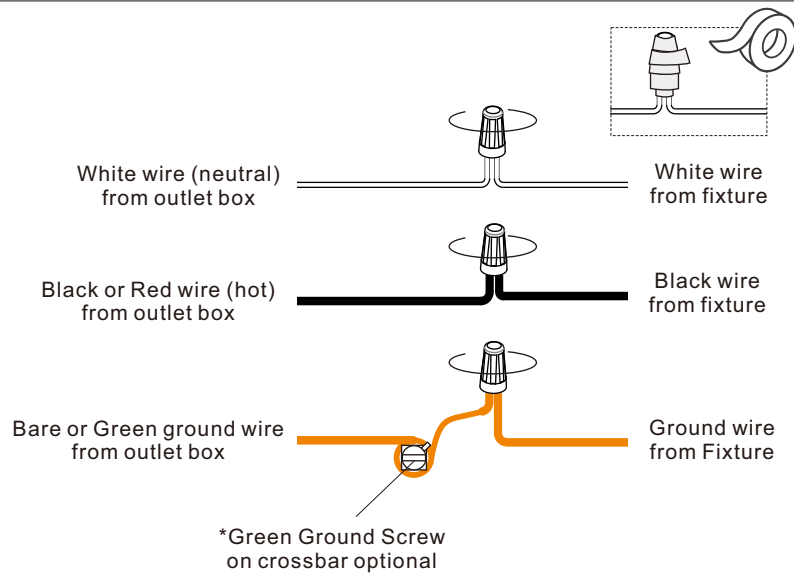
Install glass shade



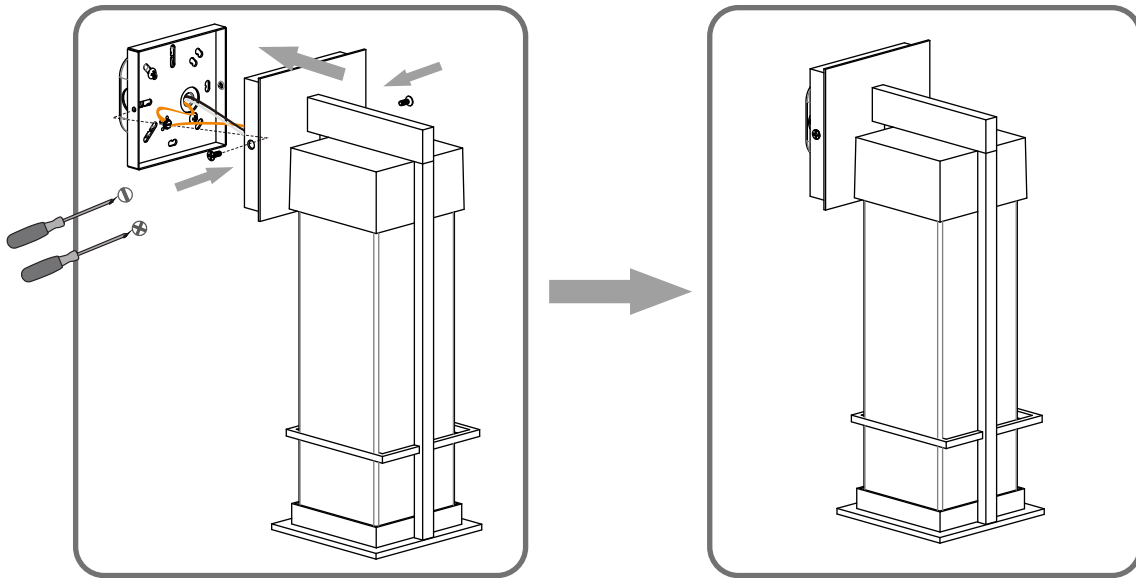
# STEP 2



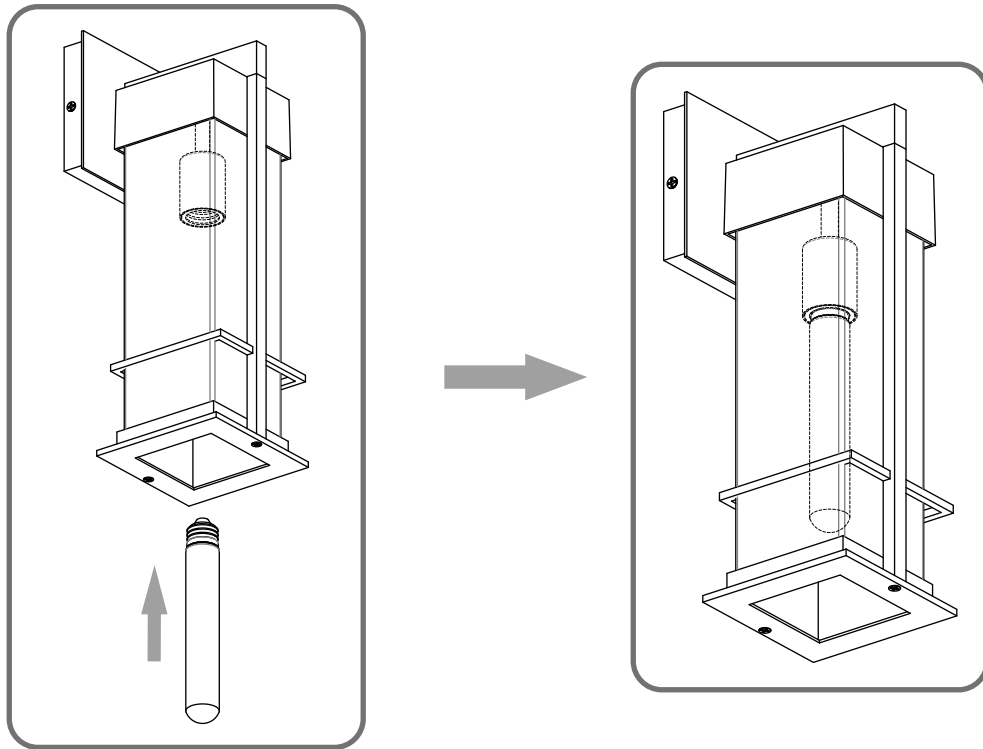
### STEP 3



### STEP 4



**STEP 5**



**STEP 6**

