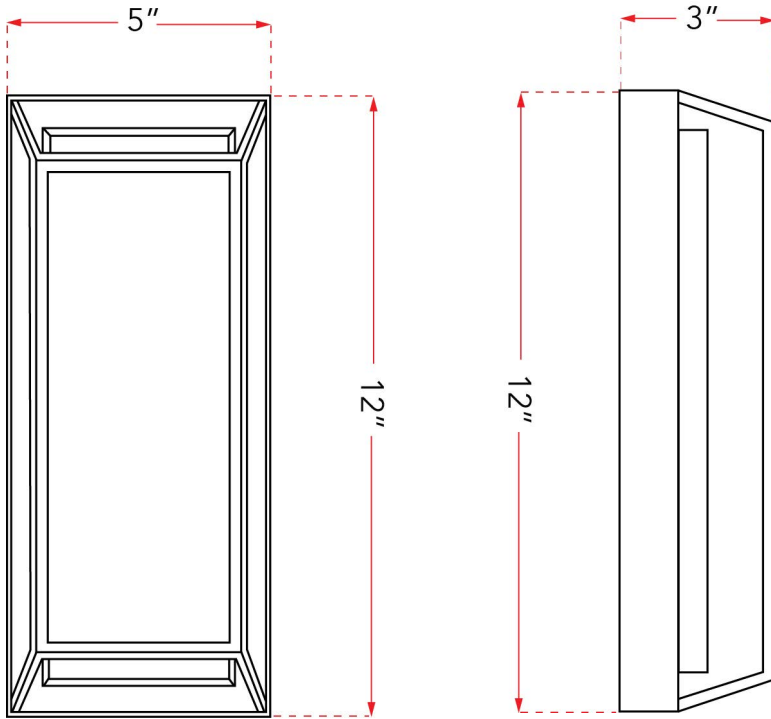




ABRA MODEL **50084ODW-304STS** Wet Location Low Profile Miter Glass Wall Fixture
 Family Name **Cell** UPC 00810035192447



FIXTURE MATERIAL			
Frame Material	Finishes Available	Diffuser	
		Type	Finish
Metal	304STS-Stainless Steel MB- Matte Black	Glass	Frosted

DIMENSIONS IN INCHES								
Fixture			Diffuser		Back-Plate			
Width	Height	Ext	Diam	Height	Diam	Width	Depth	
5	12	3						

CERTIFICATION		
Location	Rating	Compliance
Wall	Damp	cETLus

LAMPING									
Lamp Type	Lamp qty	Wattage	Max Wattage	Base	Kelvin	CRI	Initial Lumen's	Delivered Lumen's	Voltage
LED	1	12w	12w	Solid State Module	3000	90	935	701 estimated	120v

COMPATIBLE DIMMER'S

J-BOX TYPE
4 x 4 Octagonal

SUPPLIED

SPECIAL NOTES	

Project Name			
Date		Type	