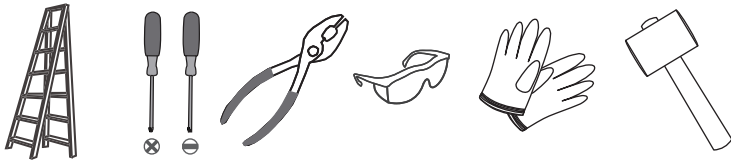


Tools Required



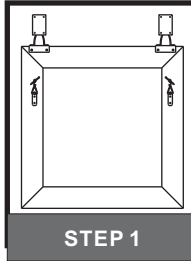
⚠ Warnings and Cautions

These instructions are provided for your safety. It is very important you read them completely before installing the mirror.

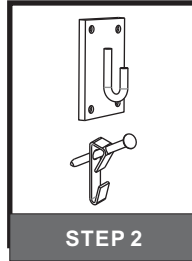
Quoizel recommends 2 people for each step during assembly.

Table of Contents

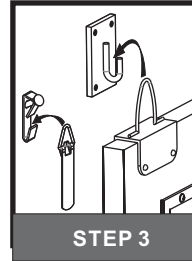
Mirror Template



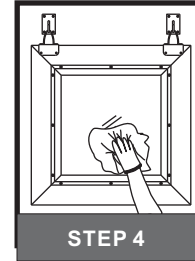
Hanger



Install Mirror

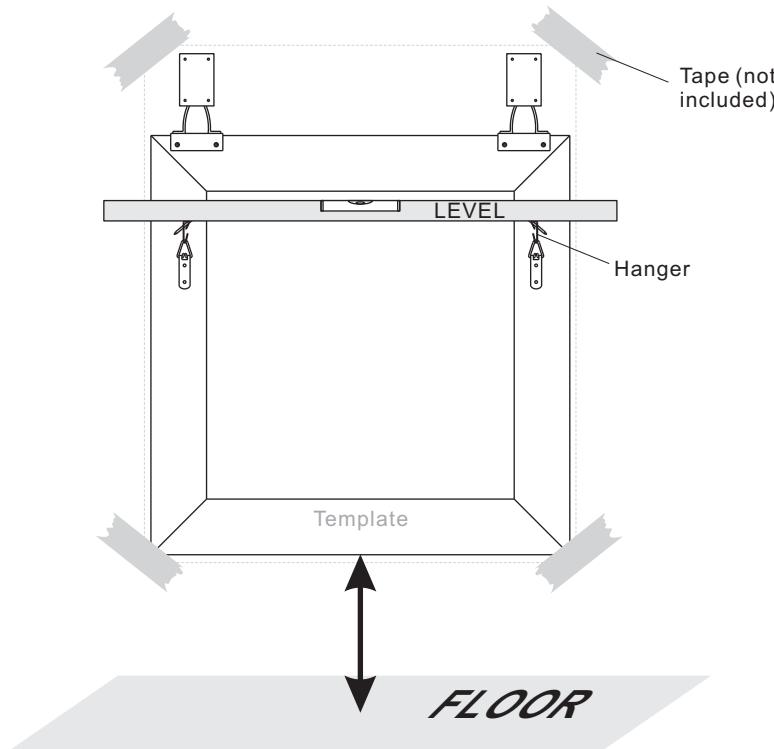


Clean

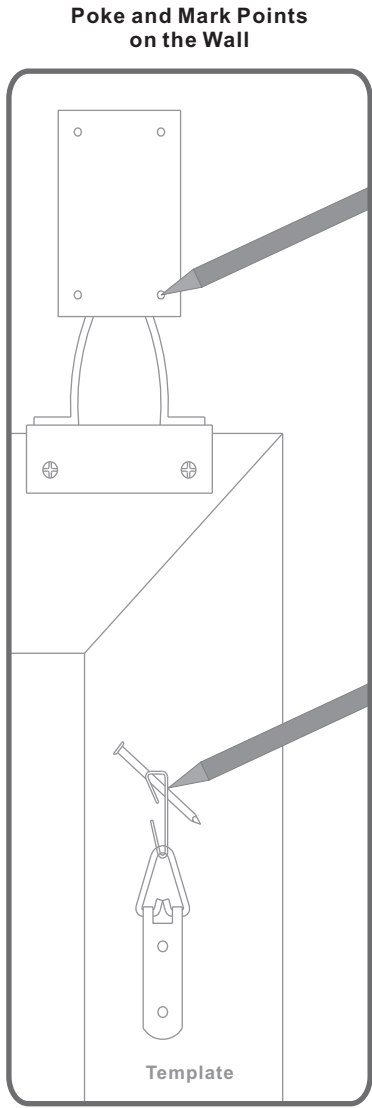


STEP 1

Temporarily attach the mirror template on the wall in the desired mirror hanging location.

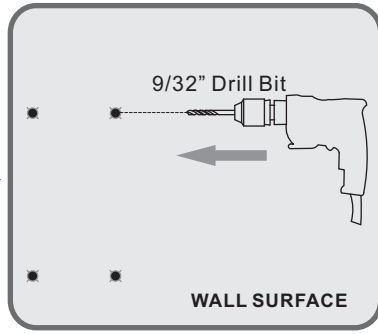


STEP 2



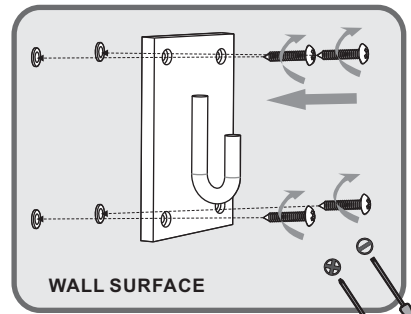
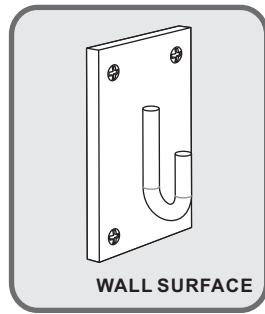
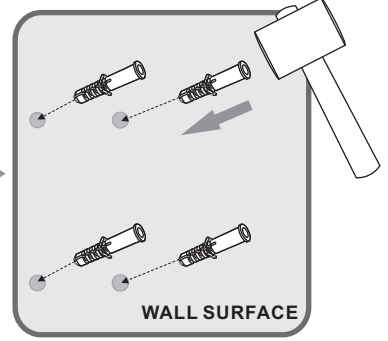
1

Drill Hole



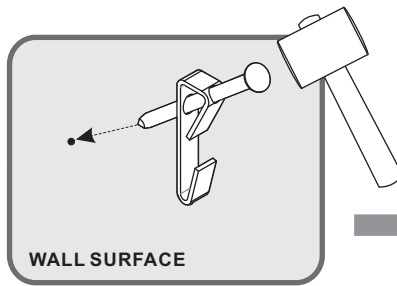
2

Insert Wall Anchors

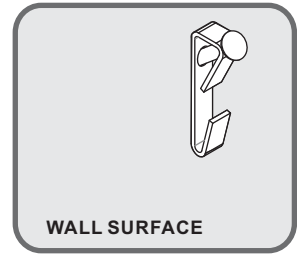


Install Hook

3

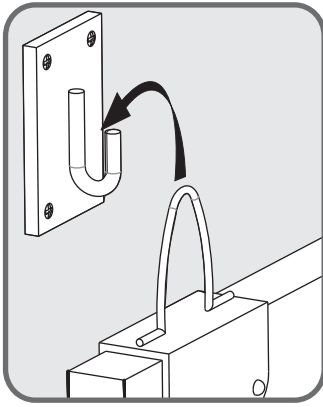


Hammer the Nail

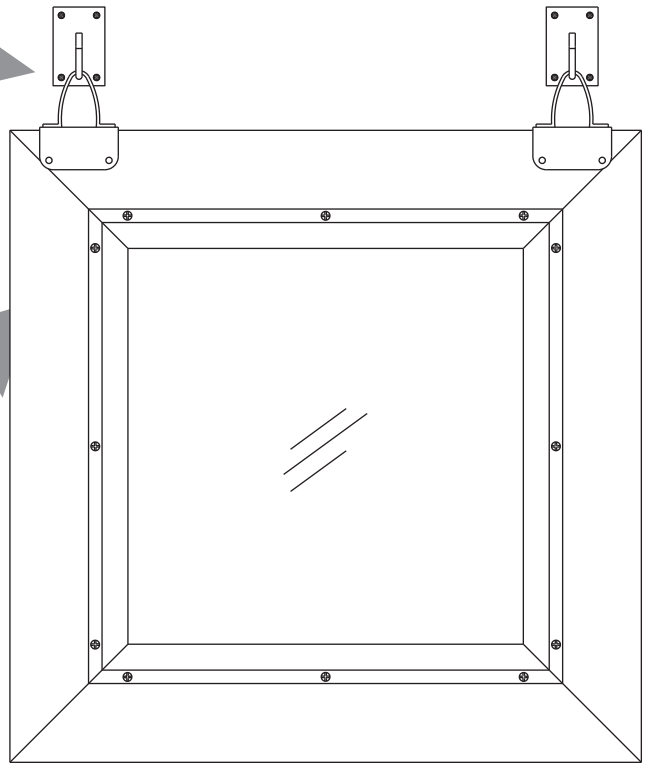
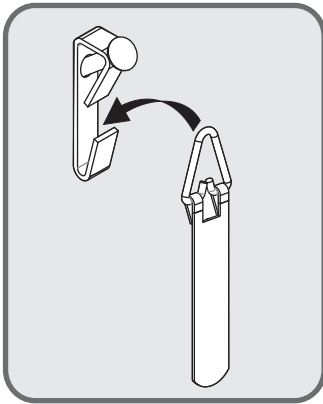


STEP 3

1



2



STEP 4

