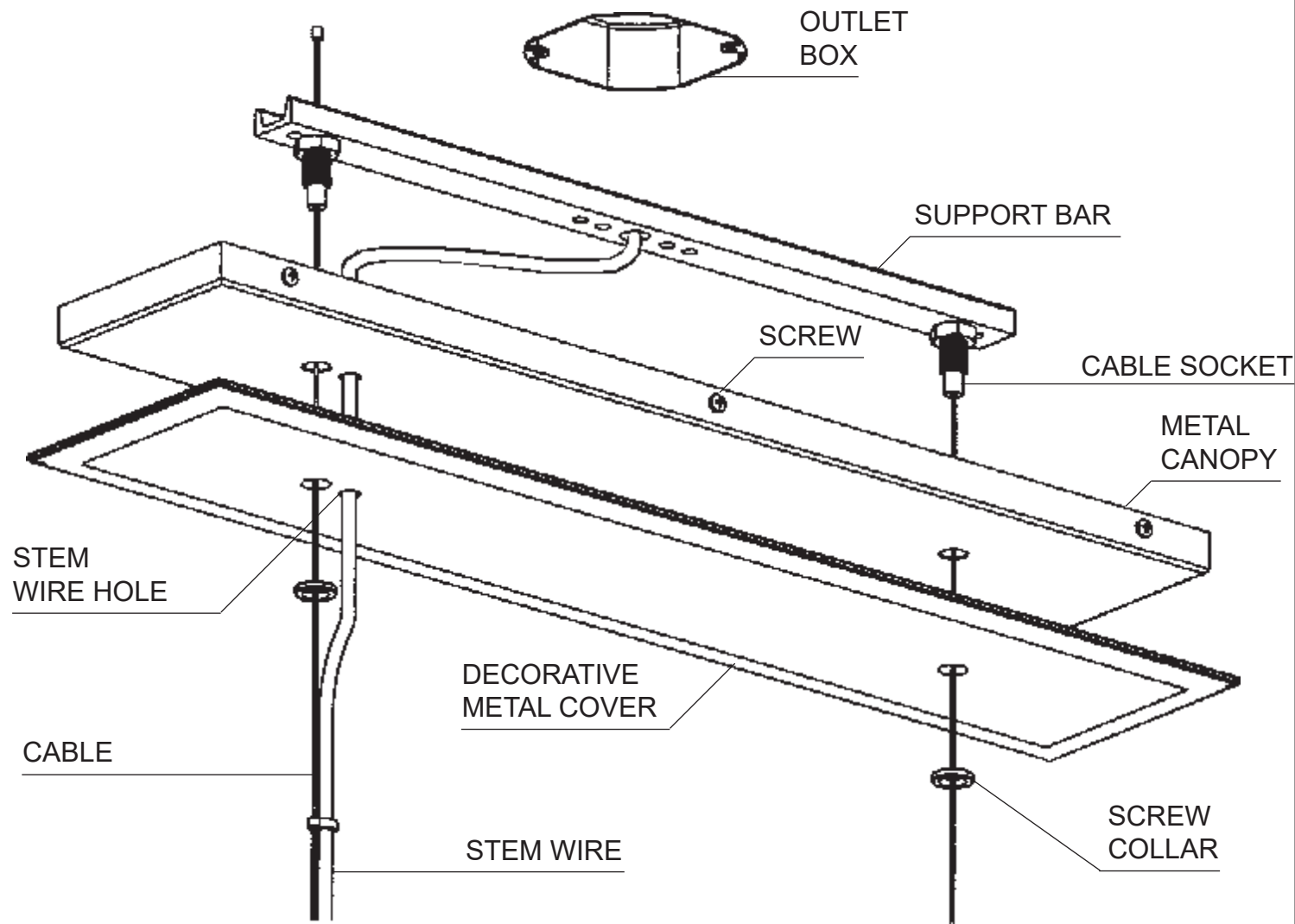
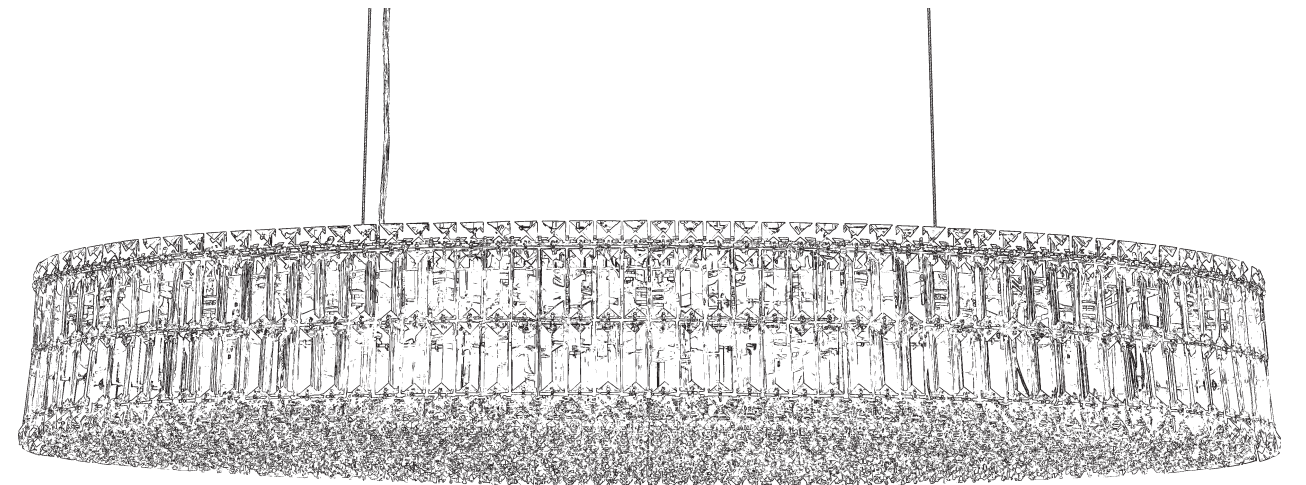


# PLAZA 66800 TRIM DIAGRAM

## Instructions for electrician STEP 2



**2** Remove screw collars, decorative metal cover and metal canopy from the canopy assembly. Feed cables through cable sockets. Attach support bar to supporting member in ceiling sufficient to support weight of fixture. Feed cables and stem wires through metal canopy, decorative metal cover and stem wire before attaching cables to frame. Loosen the safety nut on the cable glider by turning counter clockwise. Slide cable into glider and allow it to play out of the bottom of the frame temporarily. To adjust height loosen the safety nut and depress it until the cable is released to move the frame up and down the cable. Feed stem wire through stem wire hole in decorative metal cover, metal canopy (the smaller hole) and middle hole in the support bar. When chandelier is at desired height, trim stem wire and connect ground wire (marked with green tracer) and power wires (black or white tracers) in outlet box. Raise metal canopy and decorative metal cover to ceiling and secure to running thread with the screw collar. Supplied in a plastic bag are nylon tie wraps. Adjust along stem wire and tie to support cable approximately 3" apart. Cut suspension cable with cable cutters leaving about 3/8" protruding from the bottom of the frame.



24 Lights  
Length: 48"  
Width: 22-1/2"  
Height: 7"  
Hanging Weight: 72 lbs.

**T**HIS DESIGN IS THE PROPRIETARY TRADE DRESS/TRADEMARK OF W SCHONBEK LLC.



**See diagram on back page  
Follow steps in exact order  
Save this trim diagram for future reference**

**1** **IMPORTANT**  
*Person who opens carton should record the following information for future service.*

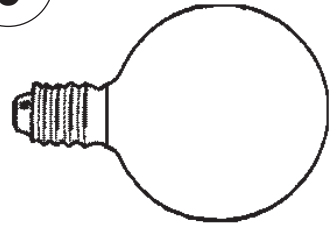
CODE #	_____	Four-digit number on outside of carton.
PACKER #	_____	See crystal package label.
ORDER #	_____	See crystal package label.



# Instructions for crystal trimming

## STEPS 3 - 5

3



You will need 24 - G16-1/2  
40 Watts Max  
25 Watts recommended  
(Supplied - Schonbek #: 30764)

**Install bulbs and be sure to test  
fixture BEFORE trimming.**

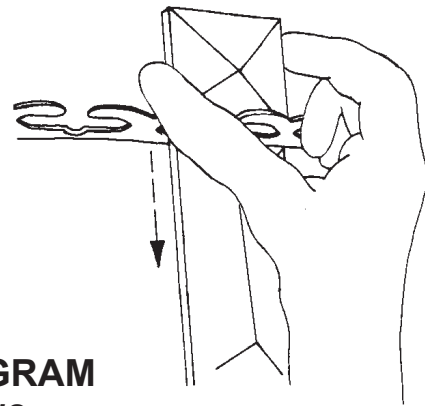
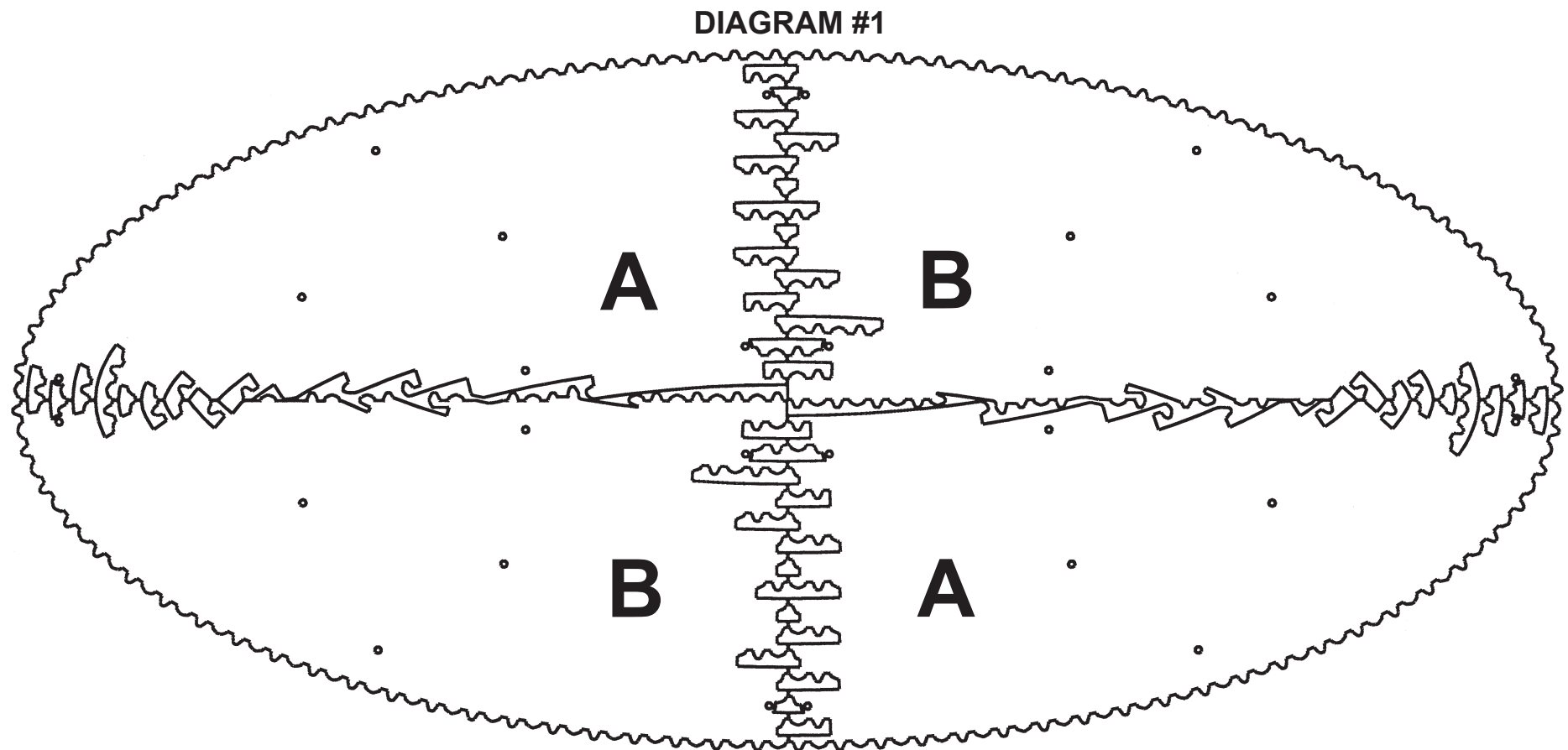
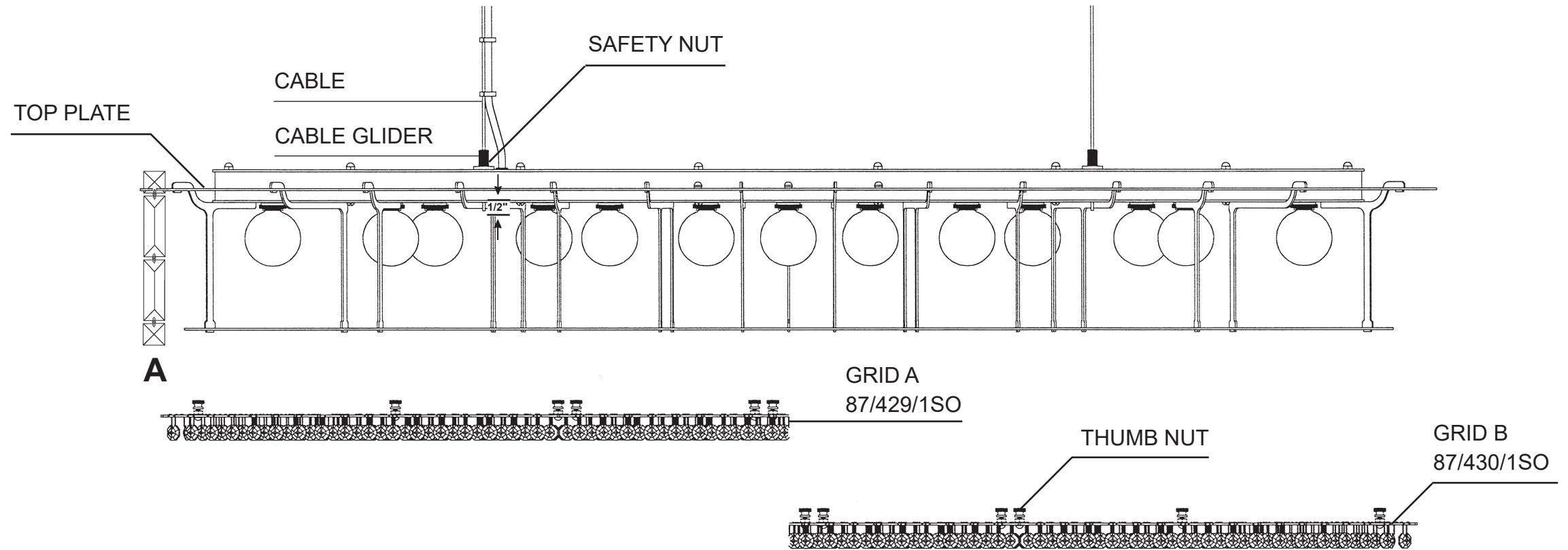


DIAGRAM  
#2

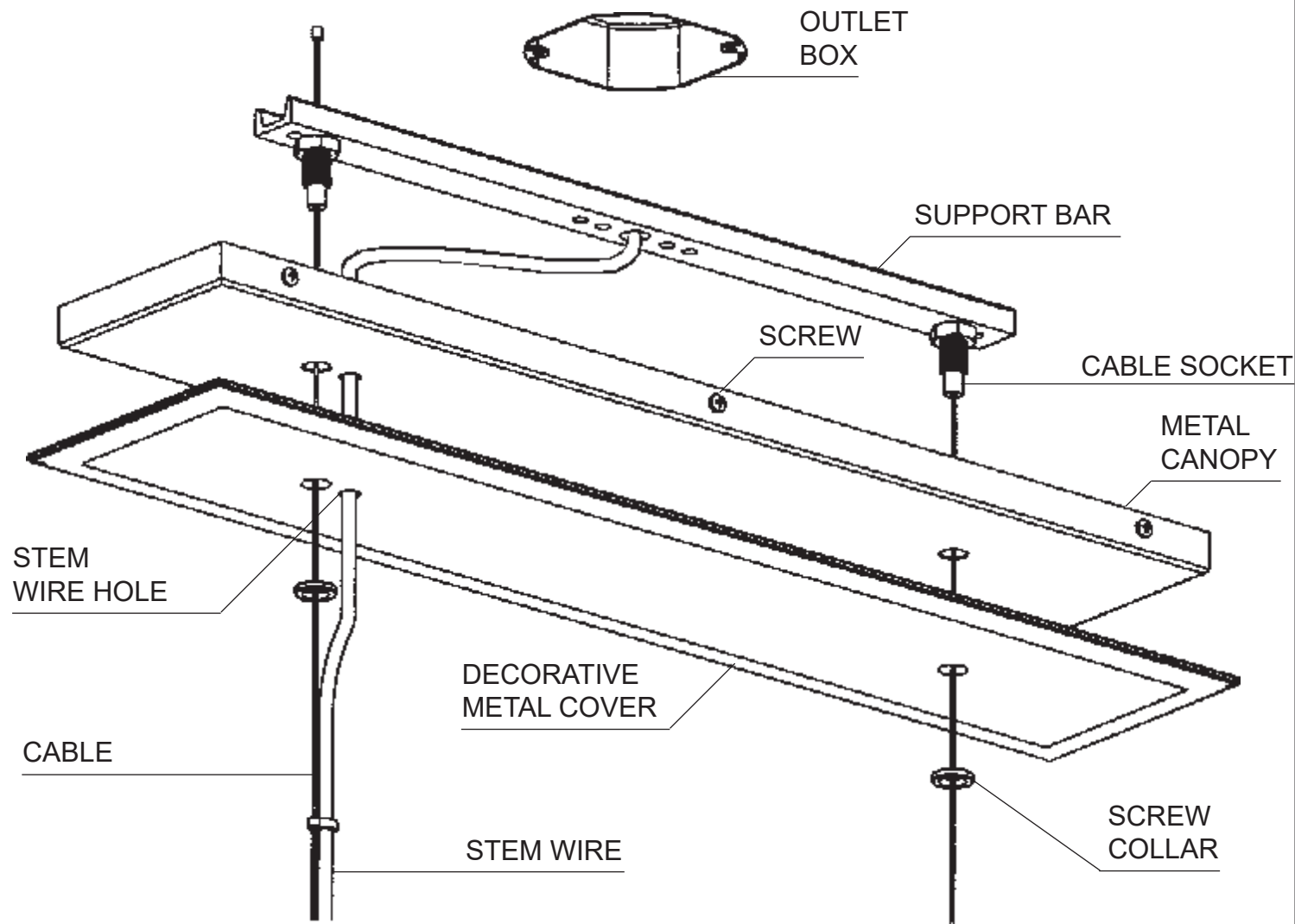
**4** Install four bottom crystal grids with twenty eight thumb nuts (already screwed onto grids) to bottom of fixture. NOTE: See Diagram #1 for proper grid placement.

**5** Hang chain "A" by placing top square stone into top plate. Hold chain by the top square crystal. (NOTE: Flat side of large crystals face out and chains are also symmetrical so either end will work!) Insert square crystal into the pocket of the ring. (Diagram #2) Lower the chain until the top square stone seats itself into the ring pocket.

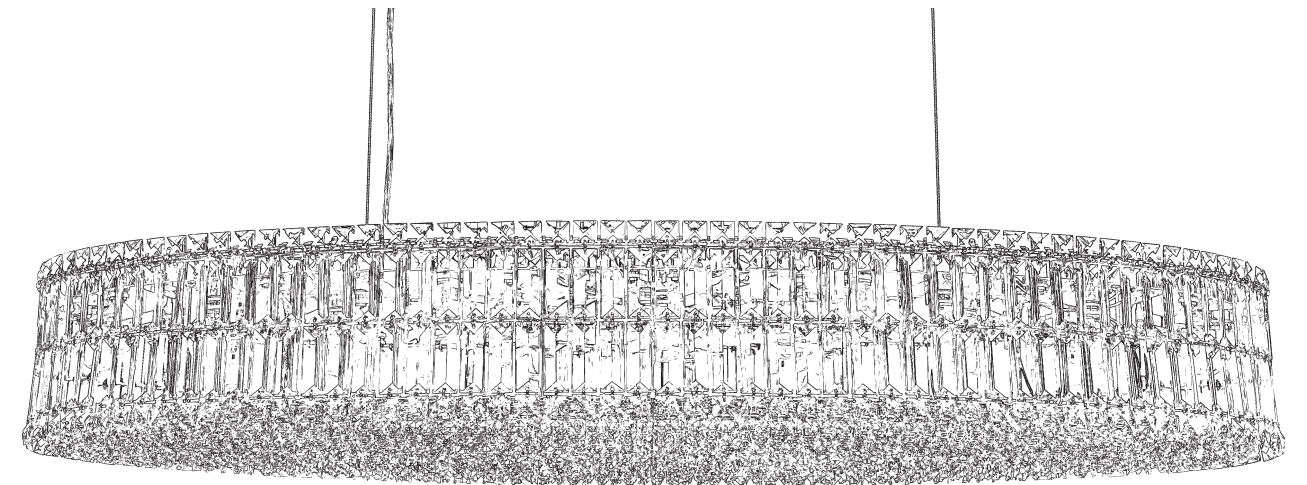


# PLAZA 6680R TRIM DIAGRAM

## Instructions for electrician STEP 2



**2** Remove screw collars, decorative metal cover and metal canopy from the canopy assembly. Feed cables through cable sockets. Attach support bar to supporting member in ceiling sufficient to support weight of fixture. Feed cables and stem wires through metal canopy, decorative metal cover and stem wire before attaching cables to frame. Loosen the safety nut on the cable glider by turning counter clockwise. Slide cable into glider and allow it to play out of the bottom of the frame temporarily. To adjust height loosen the safety nut and depress it until the cable is released to move the frame up and down the cable. Feed stem wire through stem wire hole in decorative metal cover, metal canopy (the smaller hole) and middle hole in the support bar. When chandelier is at desired height, trim stem wire and connect ground wire (marked with green tracer) and power wires (black or white tracers) in outlet box. Raise metal canopy and decorative metal cover to ceiling and secure to running thread with the screw collar. Supplied in a plastic bag are nylon tie wraps. Adjust along stem wire and tie to support cable approximately 3" apart. Cut suspension cable with cable cutters leaving about 3/8" protruding from the bottom of the frame.



24 Lights  
Length: 48"  
Width: 22-1/2"  
Height: 7"  
Hanging Weight: 72 lbs.

**T**HIS DESIGN IS THE PROPRIETARY TRADE DRESS/TRADEMARK OF W SCHONBEK LLC.



**See diagram on back page  
Follow steps in exact order  
Save this trim diagram for future reference**

**1** **IMPORTANT**  
*Person who opens carton should record the following information for future service.*

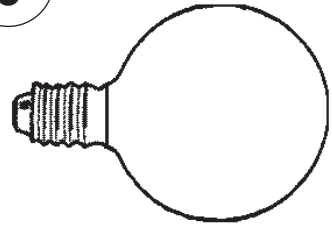
CODE #	_____	Four-digit number on outside of carton.
PACKER #	_____	See crystal package label.
ORDER #	_____	See crystal package label.



# Instructions for crystal trimming

## STEPS 3 - 5

3



You will need 24 - G16-1/2  
40 Watts Max  
25 Watts recommended  
(Supplied - Schonbek #: 30764)

**Install bulbs and be sure to test  
fixture BEFORE trimming.**

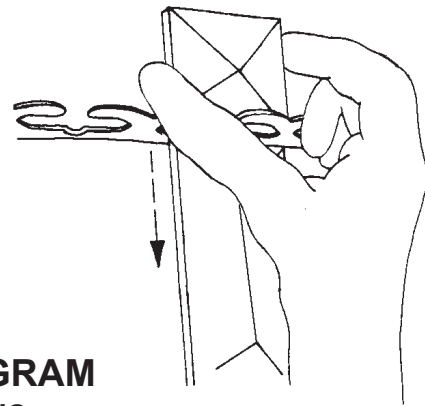
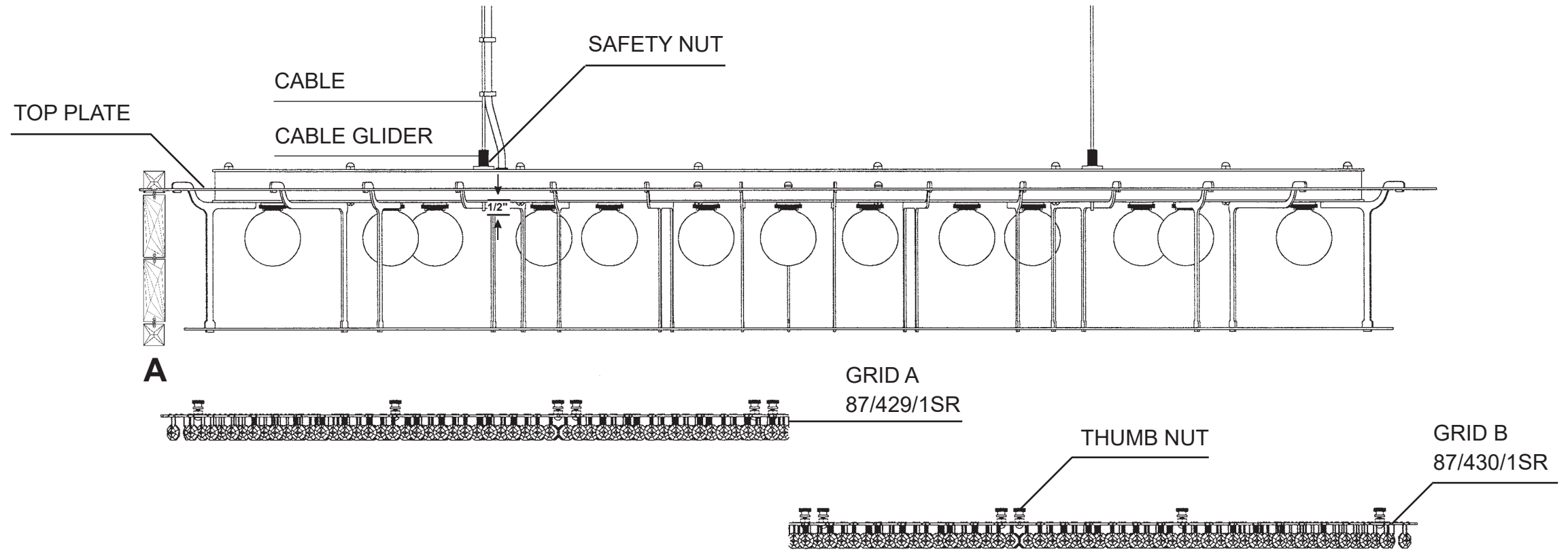


DIAGRAM  
#2

**4** Install four bottom crystal grids with twenty eight thumb nuts (already screwed onto grids) to bottom of fixture. NOTE: See Diagram #1 for proper grid placement.

**5** Hang chain "A" by placing top square stone into top plate. Hold chain by the top square crystal. (NOTE: Flat side of large crystals face out and chains are also symmetrical so either end will work!) Insert square crystal into the pocket of the ring. (Diagram #2) Lower the chain until the top square stone seats itself into the ring pocket.



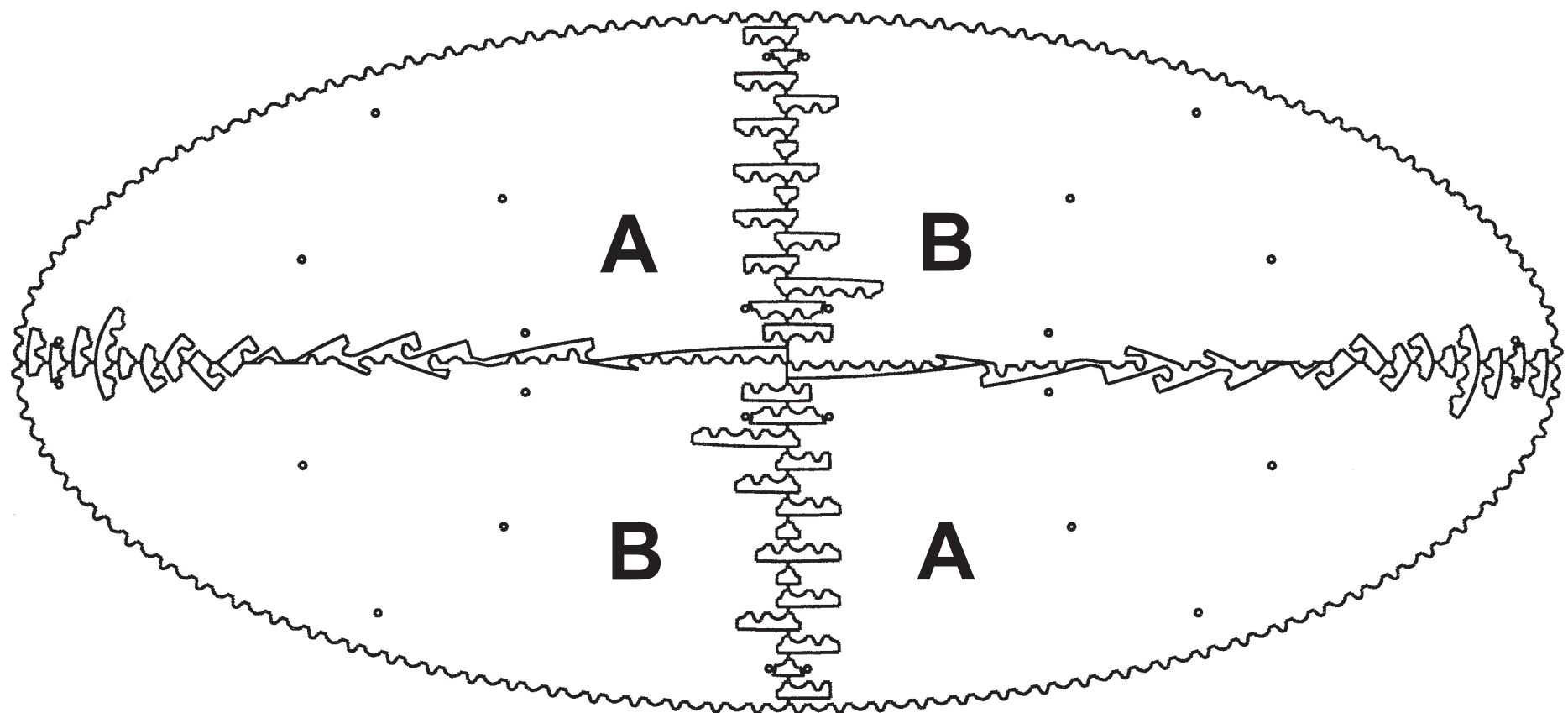
A

GRID A  
87/429/1SR

THUMB NUT

GRID B  
87/430/1SR

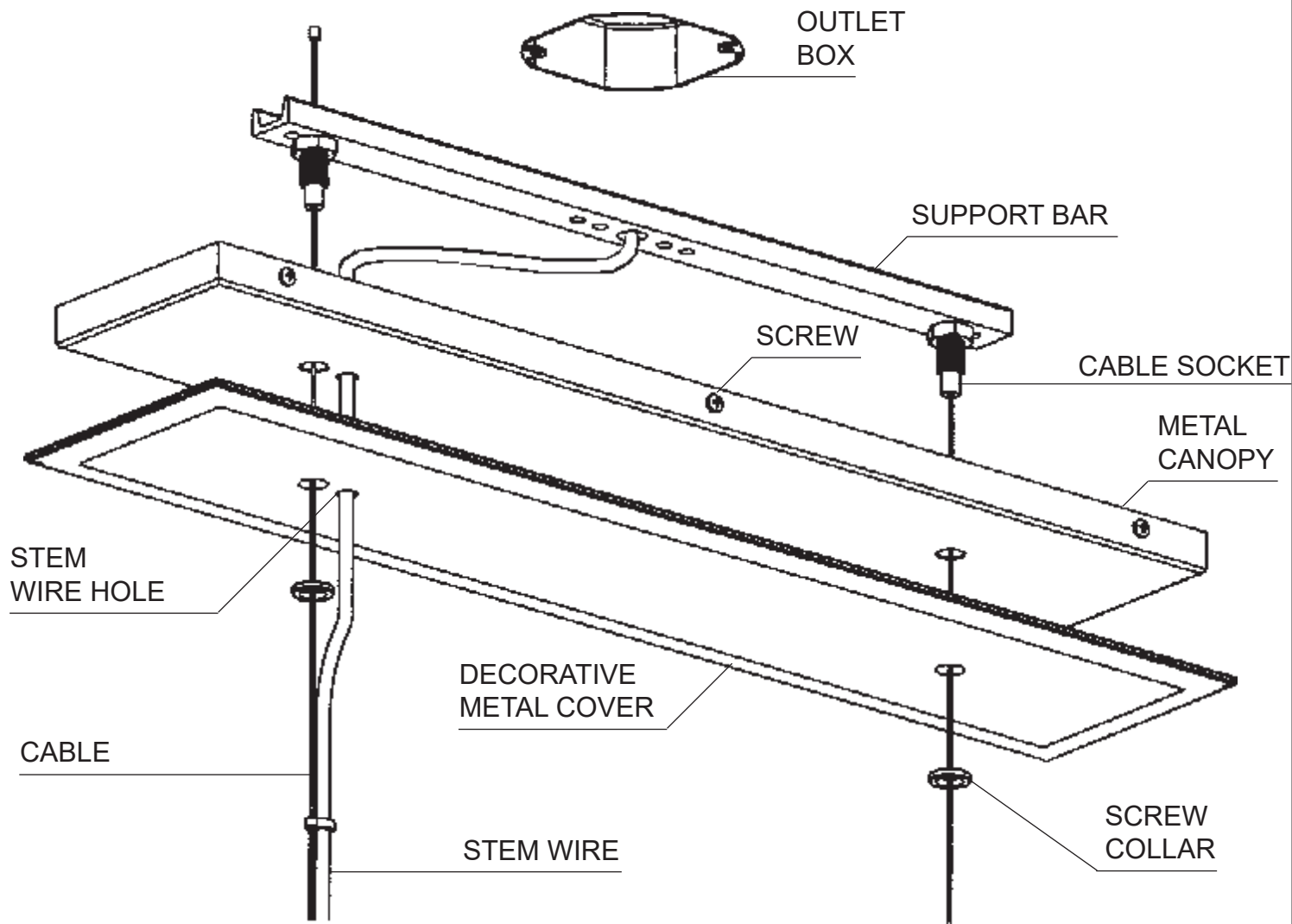
DIAGRAM #1



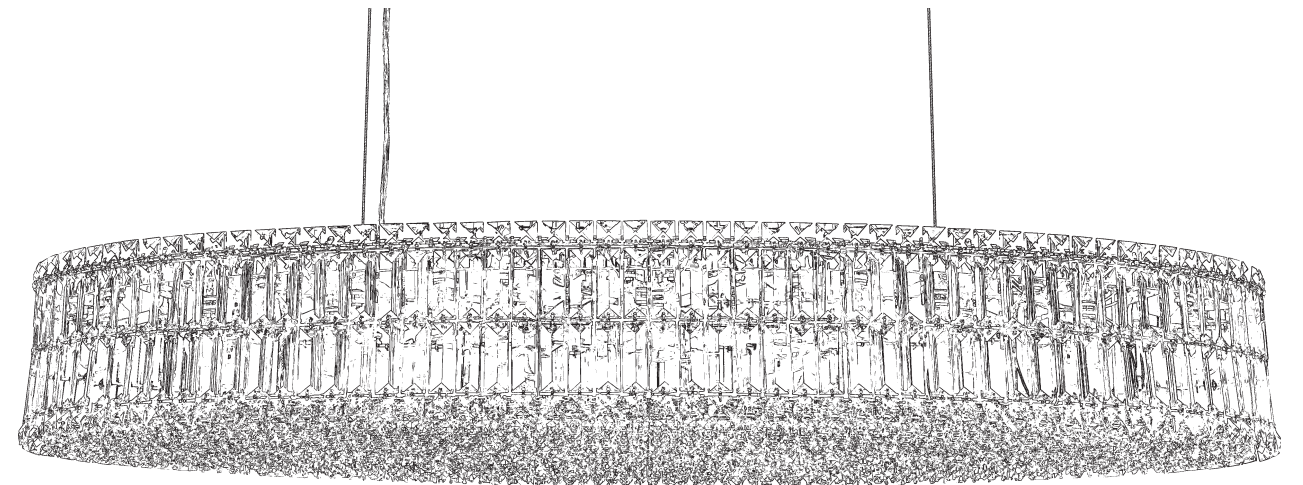
# PLAZA 6680-\_\_\_\_ TRIM DIAGRAM

(Trim Option)

## Instructions for electrician STEP 2



**2** Remove screw collars, decorative metal cover and metal canopy from the canopy assembly. Feed cables through cable sockets. Attach support bar to supporting member in ceiling sufficient to support weight of fixture. Feed cables and stem wires through metal canopy, decorative metal cover and stem wire before attaching cables to frame. Loosen the safety nut on the cable glider by turning counter clockwise. Slide cable into glider and allow it to play out of the bottom of the frame temporarily. To adjust height loosen the safety nut and depress it until the cable is released to move the frame up and down the cable. Feed stem wire through stem wire hole in decorative metal cover, metal canopy (the smaller hole) and middle hole in the support bar. When chandelier is at desired height, trim stem wire and connect ground wire (marked with green tracer) and power wires (black or white tracers) in outlet box. Raise metal canopy and decorative metal cover to ceiling and secure to running thread with the screw collar. Supplied in a plastic bag are nylon tie wraps. Adjust along stem wire and tie to support cable approximately 3" apart. Cut suspension cable with cable cutters leaving about 3/8" protruding from the bottom of the frame.



24 Lights  
Length: 48"  
Width: 22-1/2"  
Height: 7"  
Hanging Weight: 72 lbs.

**T**HIS DESIGN IS THE PROPRIETARY TRADE DRESS/TRADEMARK OF W SCHONBEK LLC.



**See diagram on back page  
Follow steps in exact order  
Save this trim diagram for future reference**

**1** **IMPORTANT**  
*Person who opens carton should record the following information for future service.*

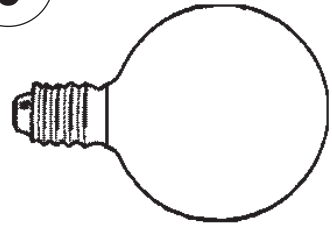
CODE #	_____	Four-digit number on outside of carton.
PACKER #	_____	See crystal package label.
ORDER #	_____	See crystal package label.



# Instructions for crystal trimming

## STEPS 3 - 5

3



You will need 24 - G16-1/2  
40 Watts Max  
25 Watts recommended  
(Supplied - Schonbek #: 30764)

Install bulbs and be sure to test  
fixture **BEFORE** trimming.

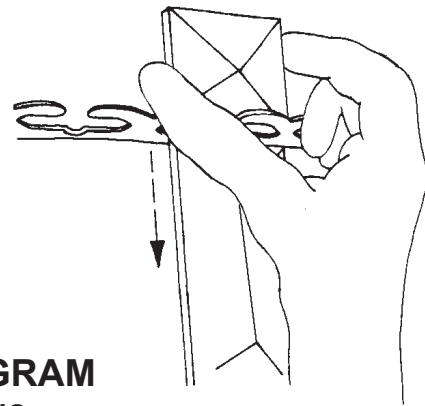
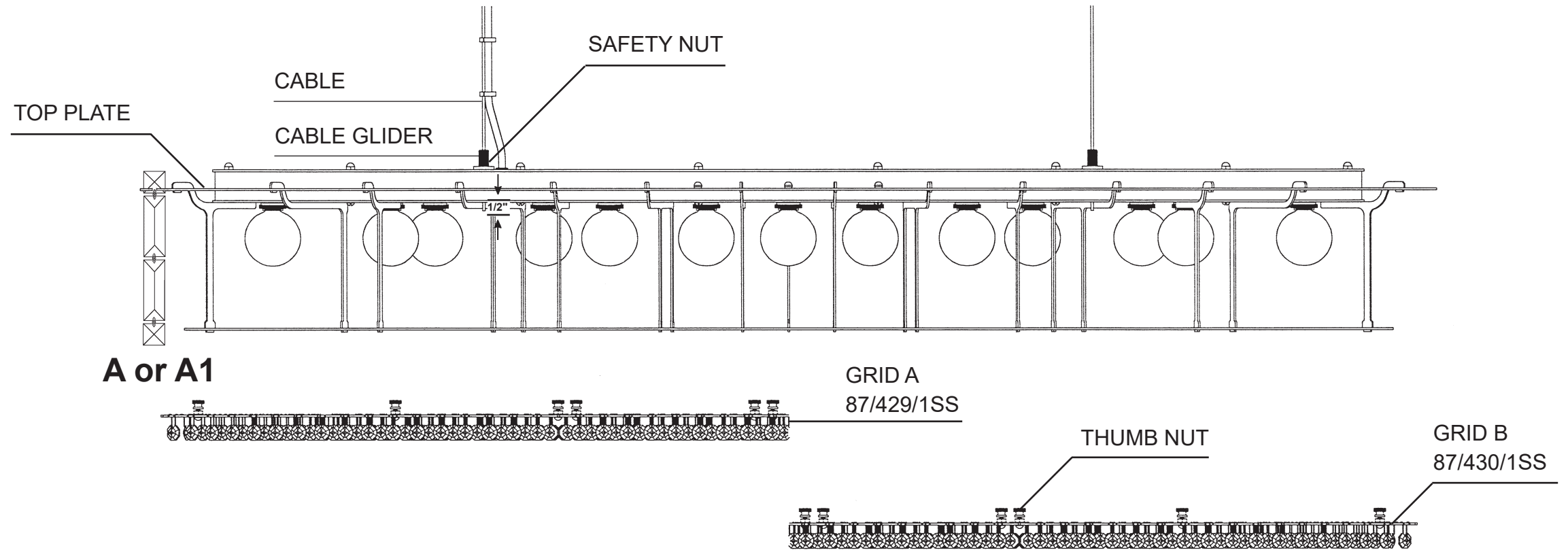


DIAGRAM  
#2

**4** Install four bottom crystal grids with twenty eight thumb nuts (already screwed onto grids) to bottom of fixture. NOTE: See Diagram #1 for proper grid placement.

**5** Hang chain "A" by placing top square stone into top plate. Hold chain by the top square crystal. (NOTE: Flat side of large crystals face out and chains are also symmetrical so either end will work!) When trimming a ST fixture, alternate hanging A & A1 chains. Insert square crystal into the pocket of the ring. (Diagram #2) Lower the chain until the top square stone seats itself into the ring pocket.



A or A1

DIAGRAM #1

