

# INSTALLATION INSTRUCTIONS

Item#432-695-L (New. 2023/06/08)

READ AND SAVE THESE INSTRUCTIONS

**WARNING! SHUT POWER OFF AT FUSE OR CIRCUIT BREAKER.**

**AVERTISSEMENT! COUPER LE COURANT AU NIVEAU DES FUSIBLES OU DU DISJONCTEUR.**

## MOUNTING THE FIXTURE (Fig.1)

1. Shut off power at the fuse box or circuit breaker box and remove the old fixture including the mounting hardware.
2. Carefully unpack your new fixture and lay out all the parts in a clear area. Take care not to misplace any small parts necessary for installation.
3. Loosen screws (D) to remove mounting plate (A) from back plate (C).
4. Attach mounting plate (A) to the junction box (not included) using mounting screws (B). The side of mounting plate (A) marked "GND" must face out.

## CONNECTING THE WIRES (Fig. 2)

5. Connect the electrical wires as shown in Fig. 2, making sure that all wire connectors are secured. If your junction box has a ground wire (green or bare copper), connect the fixture's ground wire to it. Otherwise, connect the fixture's ground wire directly to the mounting plate (A) using the green screw provided. After the wires are connected, tuck them carefully inside the junction box.

## FINISHING THE INSTALLATION (Fig.1)

6. Place back plate (C) over mounting plate (A) and secure with screws (D).

## Replacing LED module (Fig.3)

The LED module can be replaced by a qualified electrician without cutting of wire and without damage to any decorative element to which the fixture is attached. See installation steps for more details (Fig.1&Fig 3)

- a. Shut off the power.
- b. To remove fixture from the wall, loosen screws (D) and back plate (C) from mounting plate (A). Disconnect wire connectors and place back plate (C) on a clean surface. (Fig.1)
- c. Loosening screws (J) to remove decorative frame (P) from back plate (C).
- d. Loosening screws (H) to remove shade (O) from metal box (K).
- e. Press the button with "L" printed on quick connector from LED module (L) with screwdriver (not included) to disconnect the black wire. Repeat by pressing the button with "N" printed on quick connector from LED module (L) to disconnect the white wire.
- f. Loosening screws (N) to remove plastic washers (M), LED module (L), and metal box (K) from back plate (C).
- g. Reverse steps b-f for installing the new LED module.

**Note:** Illustration (Fig. 1) on this manual is for installation purposes only. It may or may not be identical to the fixture purchased.

Dimmable with ELV and/or LED compatible wall dimmer switches.

Fig. 1

Set#A-021-148195  
-Mounting Screw\*2  
-Ground Screw  
-Mounting Plate

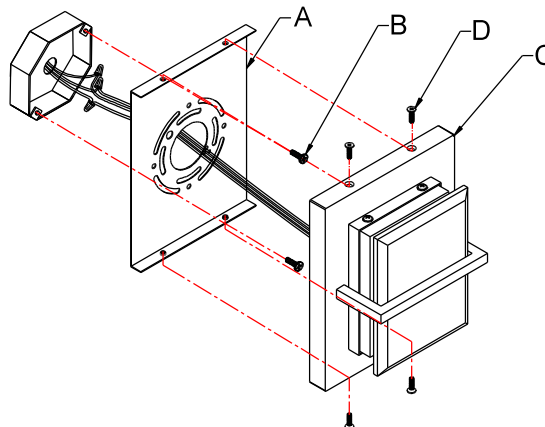


Fig. 2

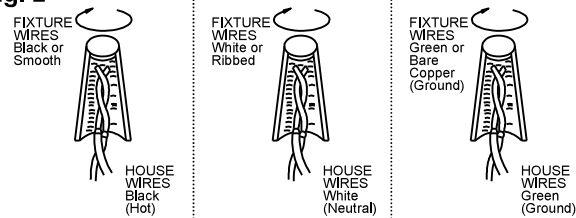


Fig. 3

