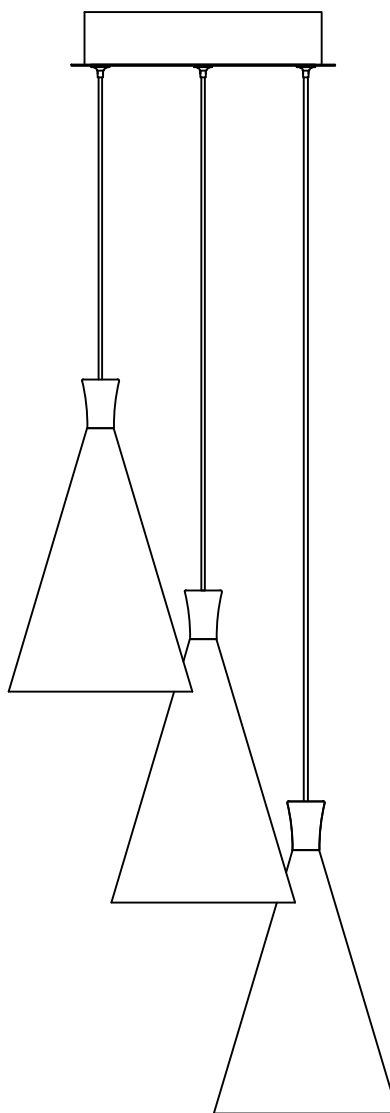


# Contemporary Lighting™

PRODUCT NAME: Norsk 3LT Pendant  
ITEM NUMBER: E24623

Please consult your electrician for hanging fixture and wiring.



The fixture is designed to dim with a standard Triac forward phase dimmer. Dimming levels will vary by dimmer.

Below is a list of recommended dimmers:

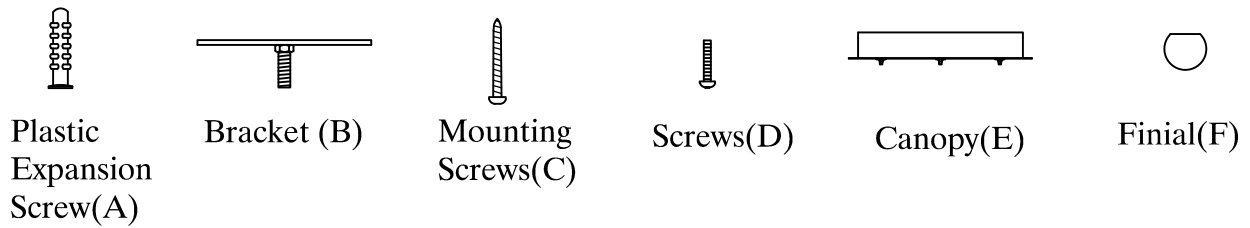
- Lutron MACL-153M
- Lutron DVL-153P
- Lutron SCL-153P
- Leviton IPL06-10Z
- Leviton 6674-POW

Due to inrush current wattage should not exceed 150 watts of product for a 600 watt dimmer.

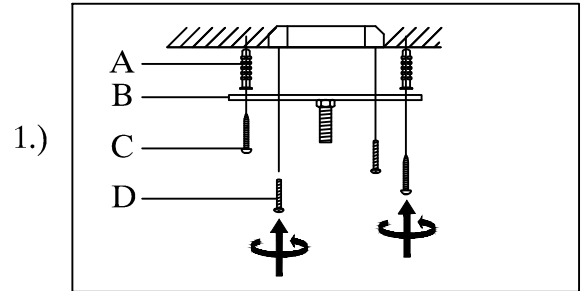
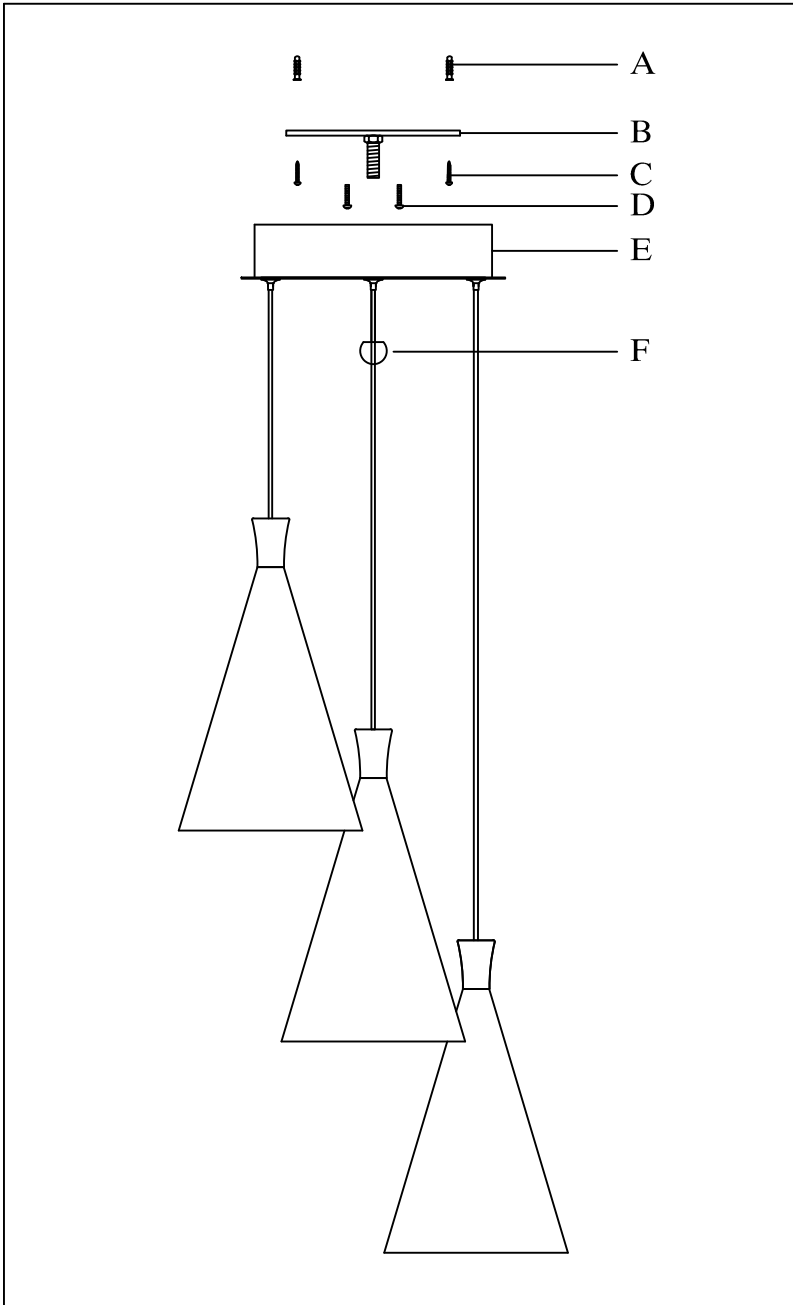
**WARNING:** Wires need to be connected to driver found in canopy and should not be connected directly to power source or a short may occur.

Bulbs ( Included ):3\*LED\*7.2W

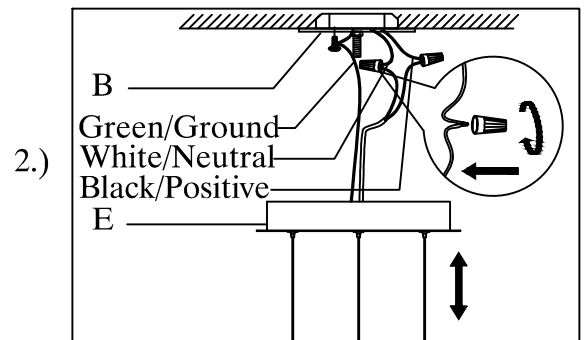
**IMPORTANT:** Turn off the power at the main fuse or circuit breaker box before starting installation



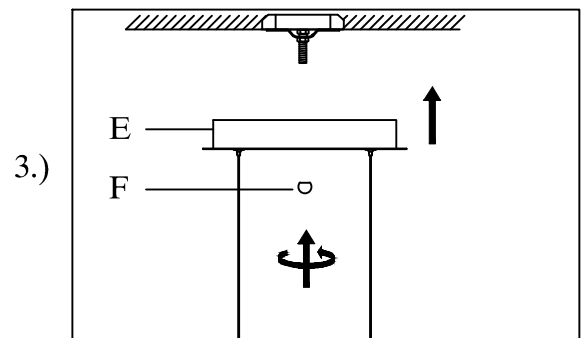
Locate all hardware & components before discarding packaging



Step1 :Remove mounting bracket from fixture and install to electrical box.



Step2 :Adjust wire length to desired mounting height, and tighten strain relief screws to secure. Wire fixture to wires in outlet box. Green wire is for Ground.

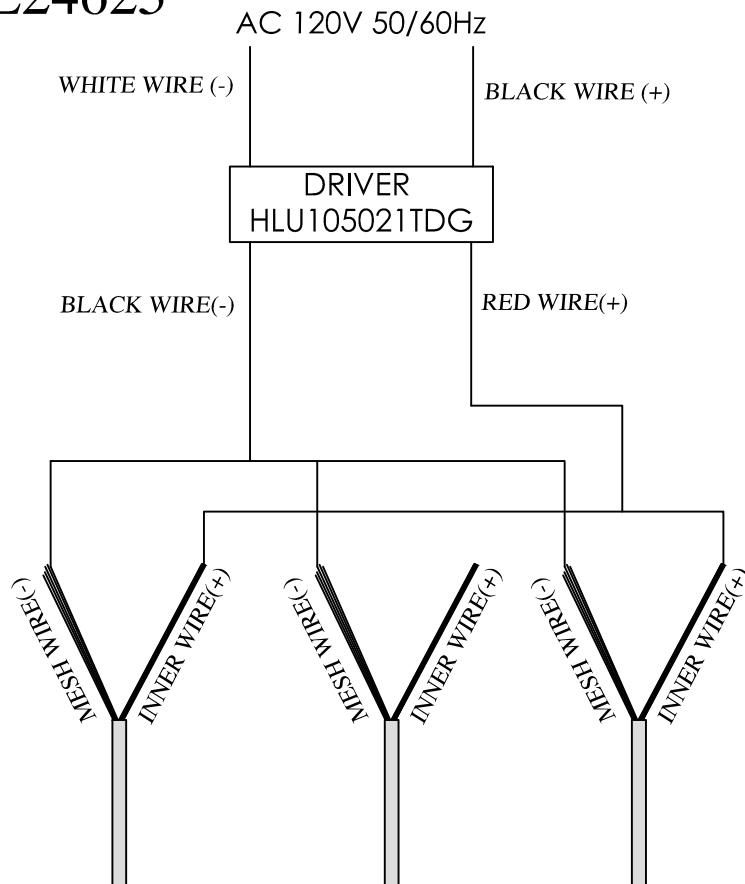


Step 3: Install fixture to bracket using finial (F) to secure.

**Cleaning & Care:**  
Clean with soft cloth and a mild detergent.  
Do not use abrasive cleaner.

This fixture **must** be installed with compatible dimmer types only. Improper wiring of fixture and/or use of incorrect dimmers will cause **catastrophic failure** and void the warranty.

**E24623**



**SCHEMATIC FOR GENERAL REFERENCE ONLY**

Refer to dimmer manufacturer's instructions for proper installation.

**USE ONLY**

**Triac Dimmers**  
Lutron DVCL-150P

**DO NOT USE**

0-10V or magnetic dimmer

**IMPORTANT**

Make sure that your dimmable LED fixture is paired with the correct dimmer type

**Must be installed by a licensed electrician with knowledge of electronic lighting systems**