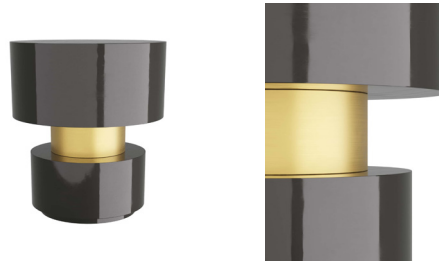
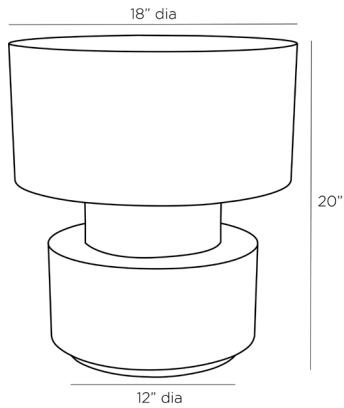


ARTERIOS

SASHA END TABLE



5774
H: 20 IN, Dia: 18.00 IN
Eggplant
Contract Suitable As Is

With its machined shape, the Sasha end table injects bold design, color, and reflection into a space. The stacked drum table is rendered in rich eggplant lacquer with a band of brass wrapping an inset center disc.

APPEARANCE

Material	Brass, Fiberglass
Material Type	Lacquer
Finish	Antique Brass
Top Coat/Sealant	false

DIMENSIONS

Foot Print	Dia: 12.00 IN
------------	---------------

SHIPPING

Product Weight	28 LBS
Gross Weight 1	40 LBS
Shipping Box 1	H: 22.8 IN, L: 22.8 IN, W: 28 IN

ADDITIONAL INFO

Leg Or Foot Application	Felt Pads
-------------------------	-----------

CONTRACT

Contract Suitable	true
-------------------	------