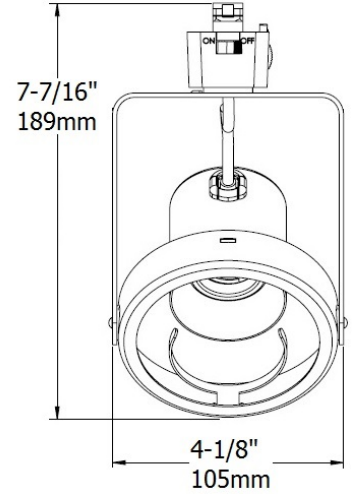
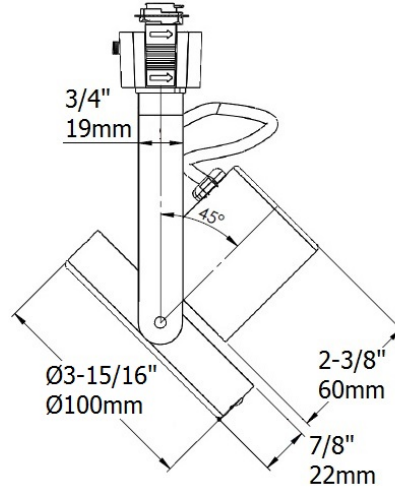
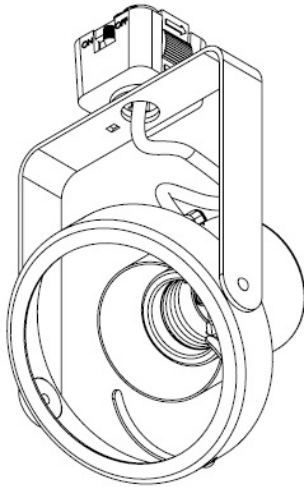




HV230

PAR30 GIMBAL TRACK LUMINAIRE

Type	
Project	
Catalog No.	



DESCRIPTION

PAR30 Halogen or LED track fixture in a minimal yet functional open gimbal ring design. Suitable for residential, retail or hospitality application.

CONSTRUCTION

- Molded polycarbonate track fitting.
- Spring loaded locking tab.
- Steel yoke, gimbal ring and socket cover.
- Powder coat paint.
- 350° horizontal, ±90° vertical aim adjustment.

MOUNTING

Selection of three track fittings. Provides electrical and mechanical connection to single or two circuit track systems.

ELECTRICAL

Porcelain socket, E26 medium base. Integral ON/OFF switch.

DIMMING

JESCO HV230 track luminaire is compatible with most dimming protocols prevalent in the United States. Please consult lamp manufacturer for latest compatibility information.

LAMPS

Halogen or LED PAR30, E26 medium base 120V 75W max. PAR30L lamp will have limited vertical aim.

LABELS

cULus Listed

WARRANTY

18 months

ORDERING INFORMATION

SYSTEM	SERIES	FINISH
H2 = Jesco H1 Track or Halo ¹ Power-Trac L2 = Jesco L Track or Lightolier ² Lytespan Track J2 = Jesco J1, J2 or Juno ³ Trac-Master	HV230	BK – Black WT – White
	HV230	

Notes:
¹Halo is a registered trademark of Cooper Lighting.
²Lightolier is a registered trademark of Philips Lighting.
³Juno is a registered trademark of Juno Lighting.



www.jescolighting.com
support@jescolighting.com
Tech Support: 855.592.0029

15 Harbor Park Drive
Port Washington, NY 11050
Main Line: 800.527.7796
Fax Line: 855.265.5768

219 South 6th Ave
City of Industry, CA 91746
Main Line: 855.654.0110
Fax Line: 626.333.2955

Specifications subject to change without notice.