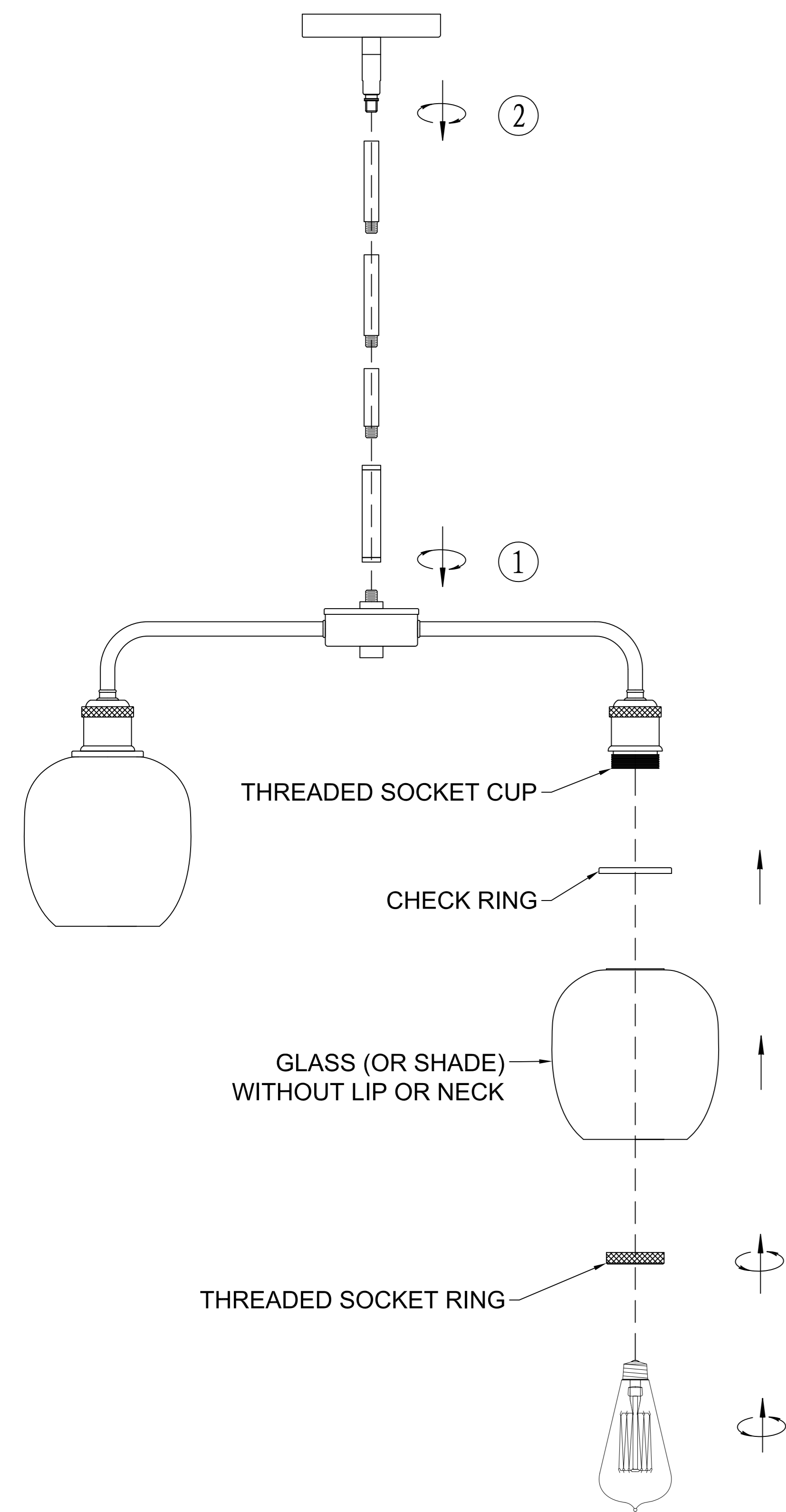


ITEM: 516-5CR

DESIGN COPYRIGHT – 05/24/2023
ALL RIGHTS RESERVED AND MAY
NOT BE DUPLICATED WITHOUT OUR
WRITTEN PERMISSION

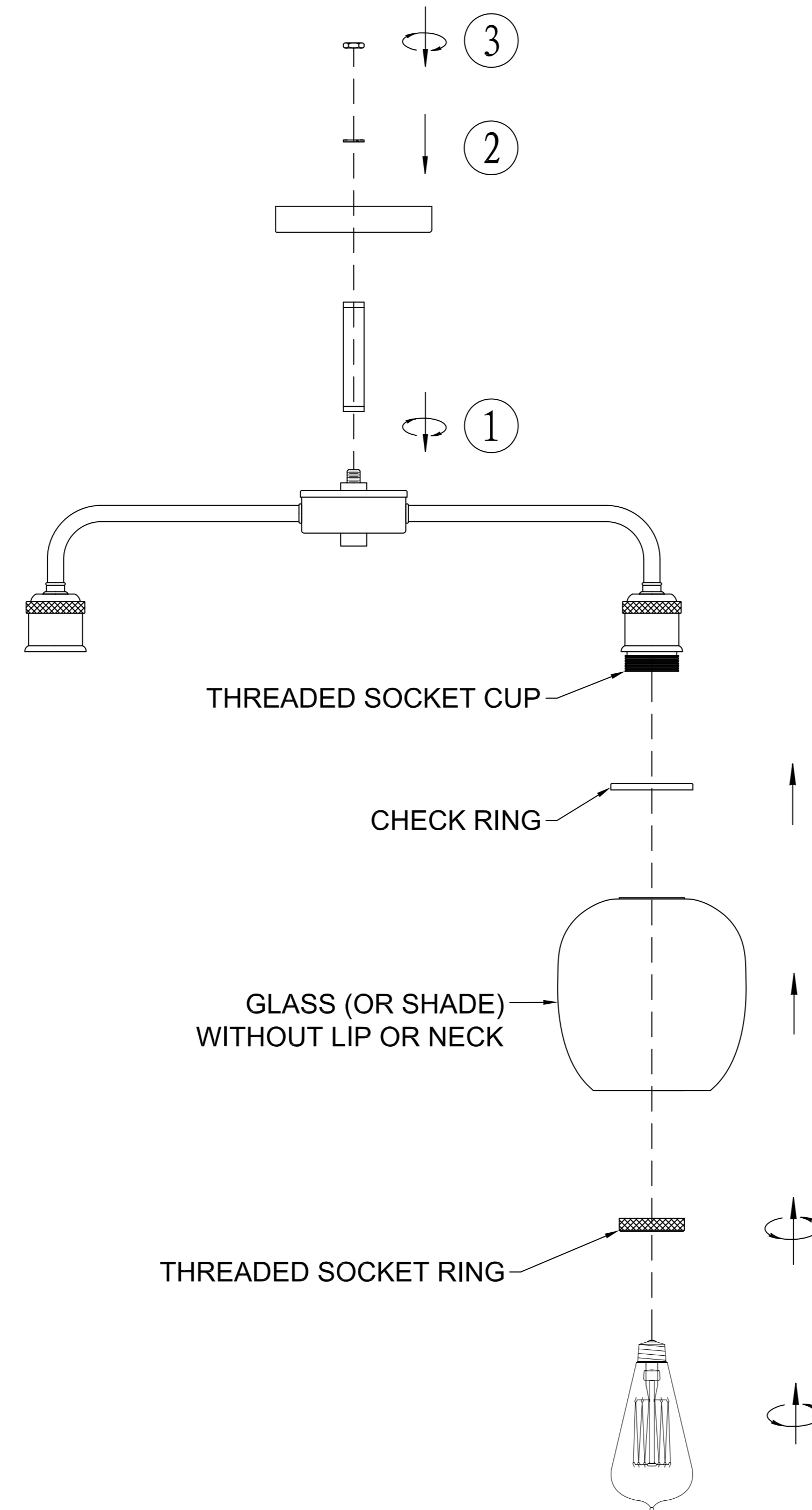
PENDANT MOUNT

Use the stems supplied to hang
the fixture at your desired height



SEMI-FLUSH MOUNT

Use the 3" stem supplied to hang the fixture
close to the ceiling as a semi-flush mount



BALLSTON ASSEMBLY

**SLIDE DECORATIVE CHECK RING
AND SHADE ONTO THREADED
SOCKET CUP AND SECURE USING
THREADED SOCKET RING**

**DO NOT OVER TIGHTEN
THREADED SOCKET RING TO
AVOID BREAKING THE GLASS**

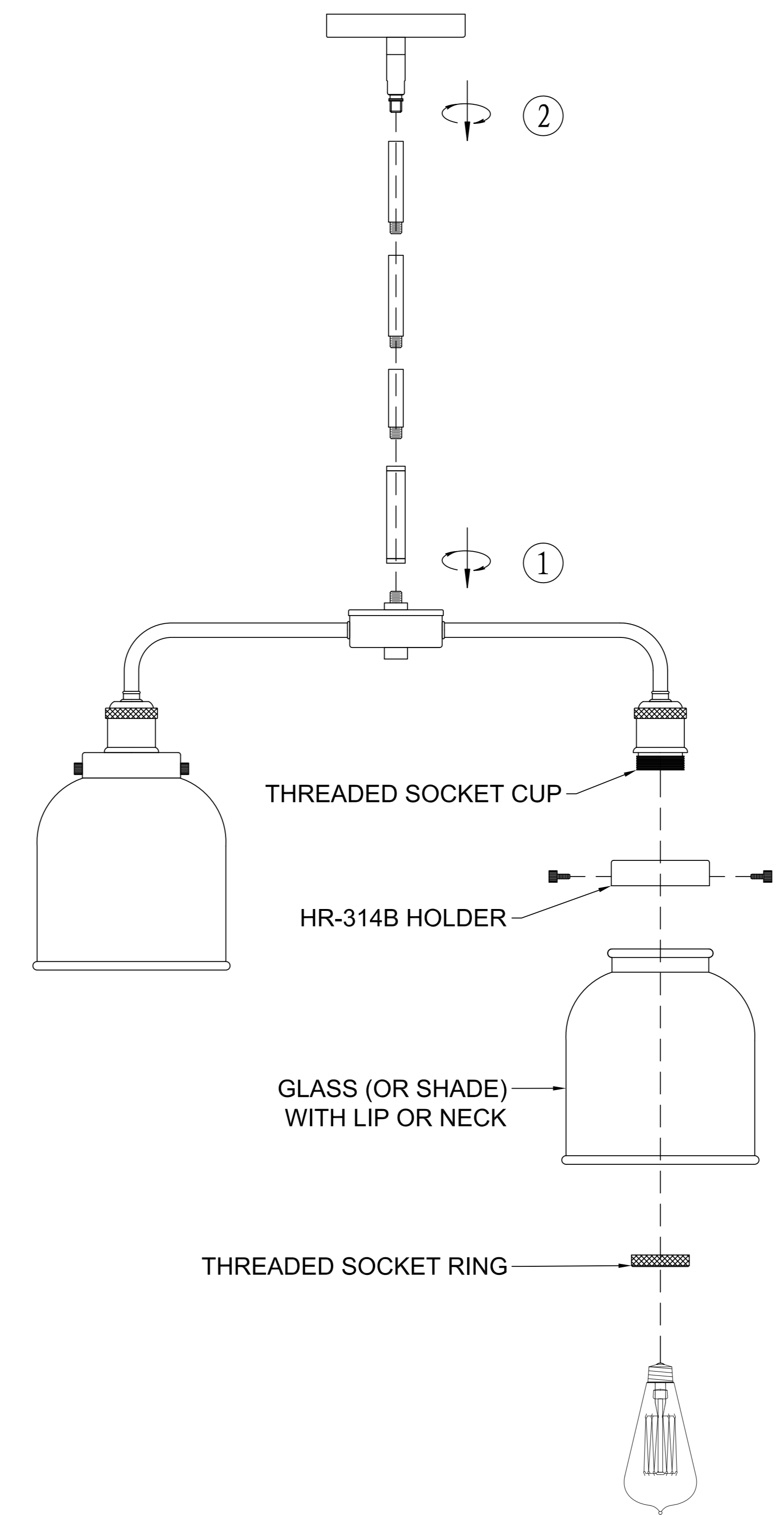
SHADE STYLE AND BULB OPTIONAL

ITEM: 916-5CR

DESIGN COPYRIGHT – 06/05/2023
ALL RIGHTS RESERVED AND MAY
NOT BE DUPLICATED WITHOUT OUR
WRITTEN PERMISSION

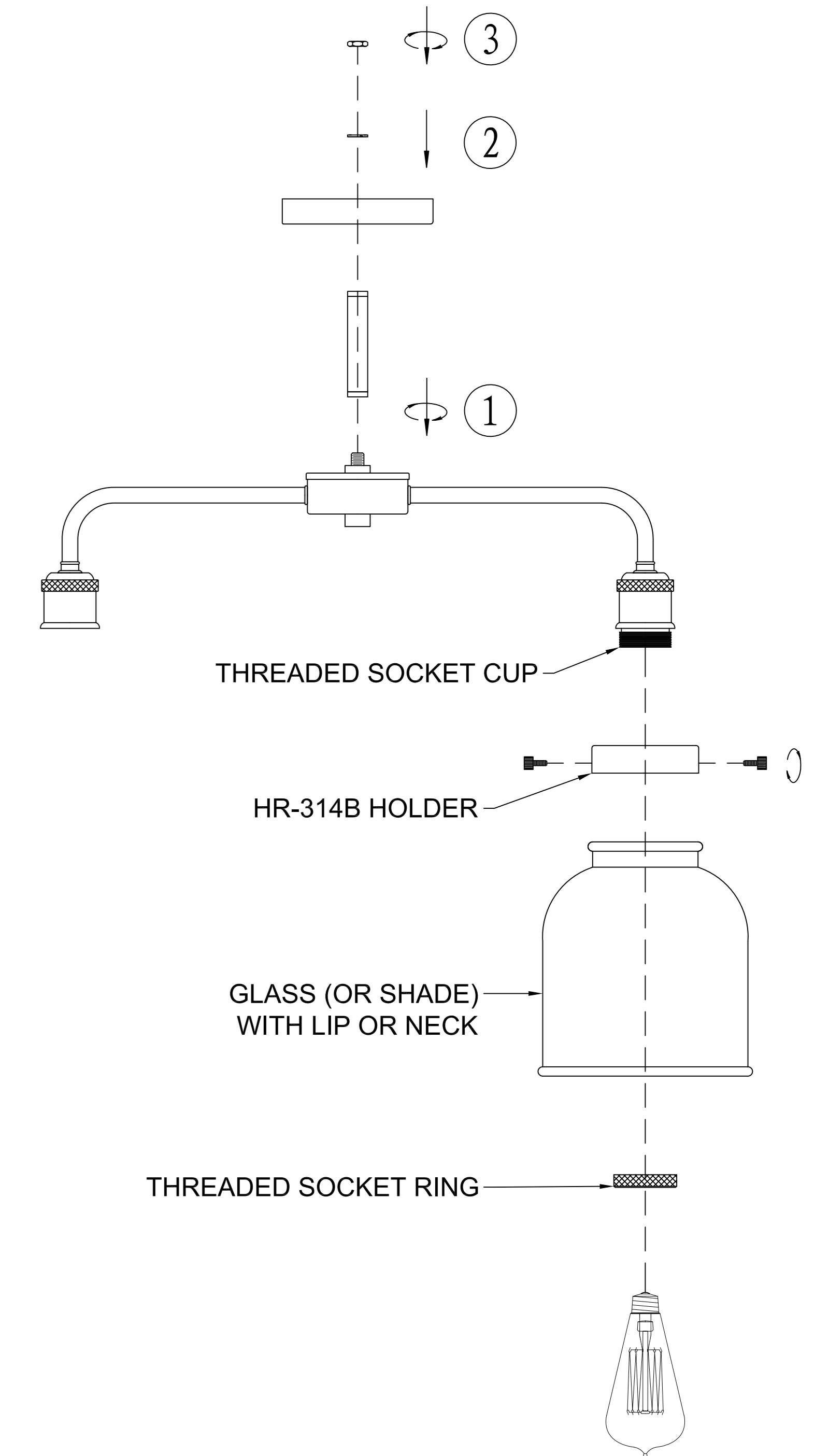
PENDANT MOUNT

Use the stems supplied to hang
the fixture at your desired height



SEMI-FLUSH MOUNT

Use the 3" stem supplied to hang the fixture
close to the ceiling as a semi-flush mount



BALLSTON URBAN ASSEMBLY

**ATTACH THE HR-314B HOLDER TO
THREADED SOCKET CUP USING
THREADED SOCKET RING SLIDE
SHADE INTO THE HR-314B HOLDER
TIGHTEN THE (3) THUMB, TIGHTEN
THE (3) THUMB SCREWS EVENLY**

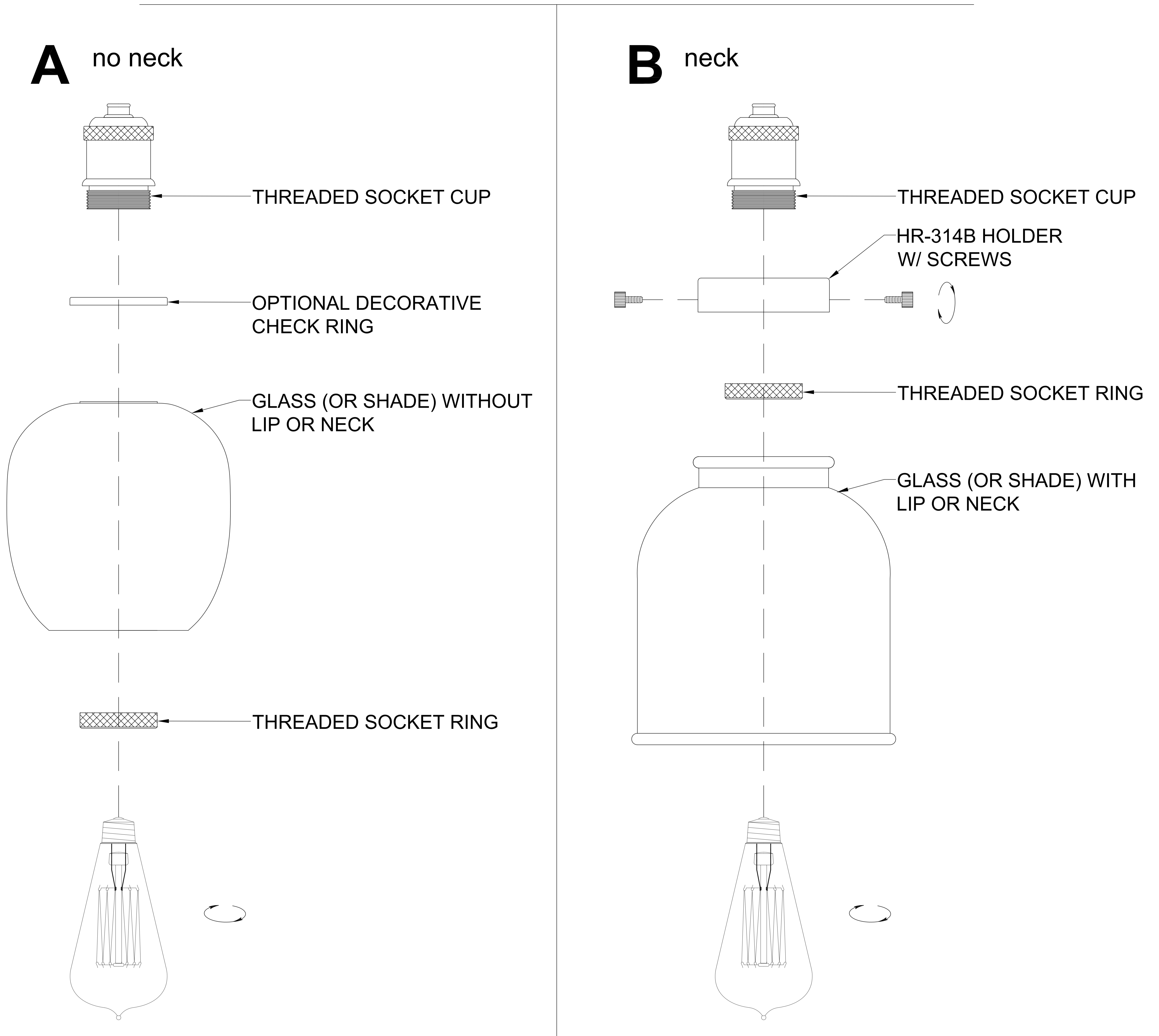
**DO NOT OVER TIGHTEN
THREADED SOCKET RING TO
AVOID BREAKING THE GLASS**

SHADE STYLE AND BULB OPTIONAL

THANK YOU FOR PURCHASING A FIXTURE FROM OUR BALLSTON COLLECTION

Please FIRST take a look at your glass/metal shade to see if it looks like A (no neck) or B (with a neck)
 YOU WILL FIND BOTH THE CHECK RING (for A - which might not be needed depending on the thickness of the glass)
 AND the HOLDER with screw (FOR B)

Please continue to follow the below graphic illustration as shown.
 WE ENCOURAGE YOU TO SAVE THE EXTRA PART. You might decide to change your glass and will need it in the future
 (instead of replacing the entire fixture for a new look)



Ballston Collection

Glass Assembly (glass without lip or neck)

SLIDE OPTIONAL DECORATIVE CHECK RING AND SHADE ONTO THREADED SOCKET CUP AND SECURE USING THREADED SOCKET RING

DO NOT OVER TIGHTEN THREADED SOCKET RING TO AVOID BREAKING THE GLASS OR METAL SHADE

THIS ASSEMBLY DOES NOT USE HR-314B HOLDER.

- ITEM: 516-1W/916-1W 516-1C/916-1C
 516-2W/916-2W 516-1P/916-1P
 516-3W/916-3W 516-1S/916-1S
 516-4W/916-4W 516-3I/916-3I
 516-4I/916-4I

GLASS OR METAL SHADE AND BULB STYLE OPTIONAL.



DESIGN COPYRIGHT - 05/24/2023
 ALL RIGHTS RESERVED AND MAY NOT BE DUPLICATED WITHOUT OUR WRITTEN PERMISSION

Glass Assembly (glass with lip or neck)

ATTACH THE HR-314B HOLDER TO THREADED SOCKET CUP USING THREADED SOCKET RING,

SLIDE SHADE INTO THE HR-314B HOLDER, TIGHTEN THE (3) THUMB SCREWS EVENLY TO HOLD SHADE IN PLACE

DO NOT OVER TIGHTEN THUMB SCREWS TO AVOID BREAKING THIS GLASS OR METAL SHADE

THIS ASSEMBLY DOES NOT USE DECORATIVE CHECK RING. (might not be needed if glass is thick)

STANDARD MOUNTING PLATE INSTALLATION INSTRUCTIONS

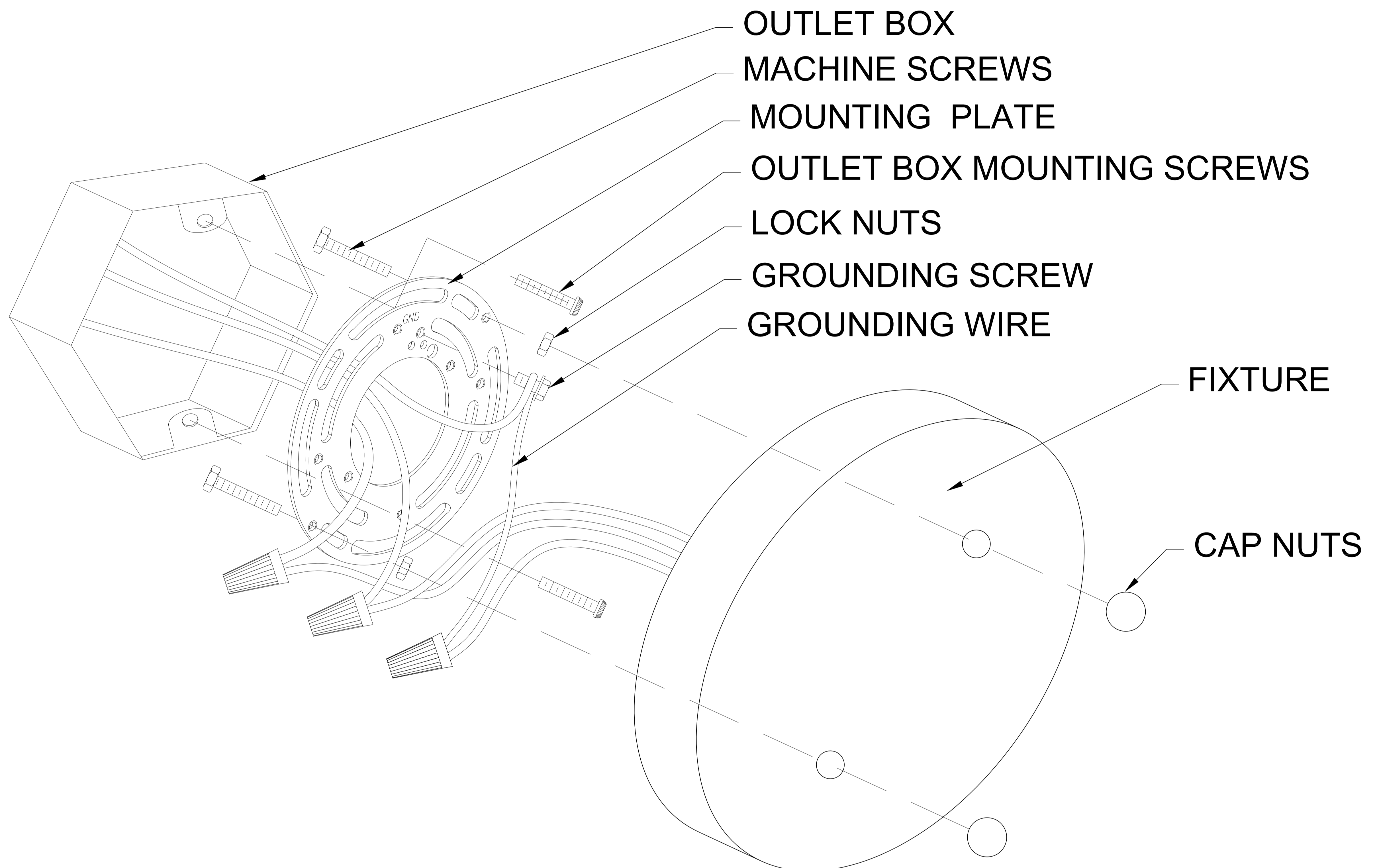
FOR YOUR SAFETY WARNING

Risk of Fire, Consult a qualified electrician to ensure correct branch circuit conductor.

Turn off the main power at the circuit breaker before installing the fixture in order to prevent possible shock.

General

All electrical connections must be in accordance with local and National Electrical Code (N.E.C.) standards. If you are unfamiliar with proper electrical wiring connections obtain the services of a qualified electrician. Remove the fixture and the mounting package from the box and make sure that no parts are missing by referencing the illustration.



CAUTION: DISCONNECT POWER DURING INSTALLATION

- 1.) If you are replacing an existing fixture, disconnect and remove the old fixture. Expose the supply wiring from the outlet box.
- 2.) Thread the machine screws into the opposite side of the mounting plate from the green ground screw, lock the machine screws into place with lock nuts.
- 3.) Fasten the mounting plate to the outlet box using the two screws supplied with the outlet box.
- 4.) Spread the electrical wires so that the black wires are on one side of the outlet box and the white wires are on the other side.
- 5.) Grounding instructions:
 - A.) On fixtures where mounting plate is provided with a green ground screw and two raised dimples, Wrap ground wire from outlet box around green ground screw and tighten.
 - B.) On fixtures where mounting plate is provided with a green ground wire attached. Connect mounting plate ground wire to ground wire from outlet box with wire connector(not provided). If fixture is provided with ground wire. Connect fixture ground wire to ground wire from outlet box with wire connector (not provided). After following the above steps. Never connect ground wire to black or white power supply wires.
- 6.) To make electrical connections: Connect the white wire(s) from the fixture to the white wire of this outlet box. Connect the black wire(s) from the fixture to the black wire of the outlet box. NOTE: Black wire from outlet box may be red, round & smooth and/or have copper conductor. White wire from outlet box may be square & ridged and/or have a silver conductor. After wires are connected, tuck them carefully inside outlet box.
- 7.) Place fixture against mounting surface allowing the machine screws to pass through the fixture canopy. Secure with cap nuts.