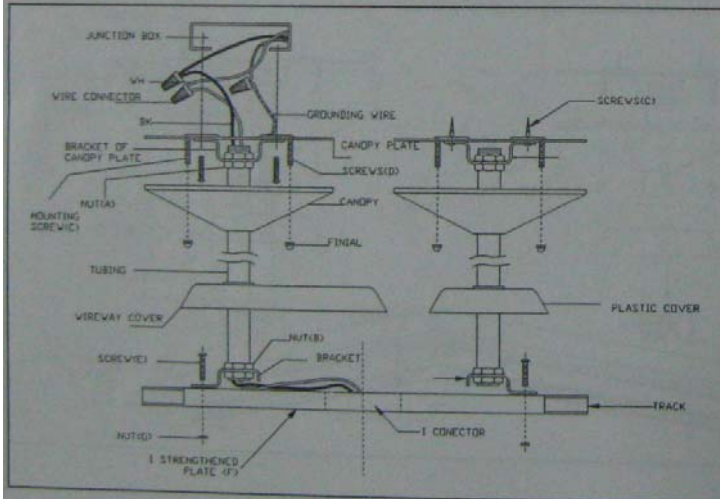
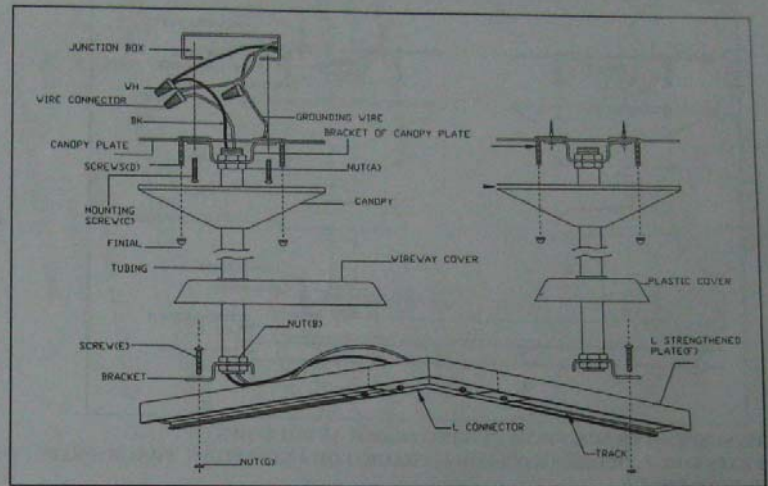


INSTALLATION INSTRUCTION OF PENDANT ASSEMBLY KIT AS A POWER ENTRY AND I/L STRENGTHENED PLATE

TO SUSPEND TRACK FROM CEILING ORDER AS FOLLOWS :
2 KITS FOR 4' TRACK; 3 KITS FOR 6' TRACK; 3 or 4 KITS FOR 8' TRACK; 5 KITS
FOR 12' TRACK

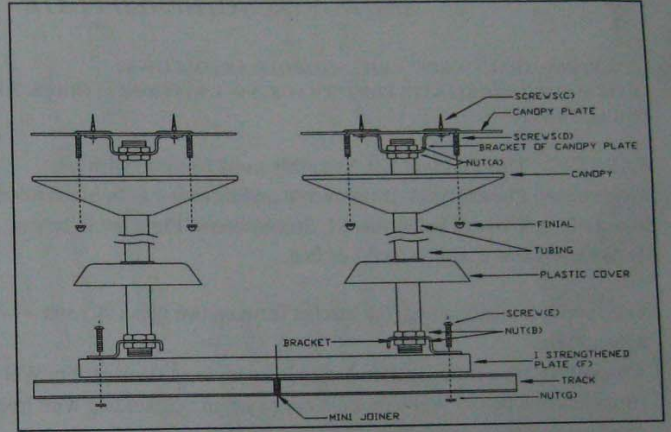
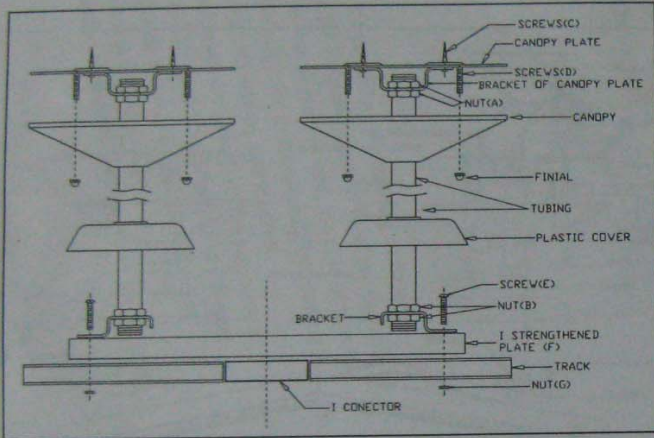
WARNING : This Pendant Kit Assembly must be used with I/L
Strengthened Plate, if track is connected and intended to be suspended
from ceiling. Without using this I/L Strengthened Plate for Pendant
Kit Assembly, there will be a risk of fire.

1. Slide nuts (A) onto tubing. Put bracket between two nuts (A) and
tighten them
2. Connect BK wire from junction box to BK wire from track system; WH wire
from junction box to WH wire from track system ; Grounding wire from
junction box to Grounding wire from canopy by wire connectors.



3. Tuck wires into junction box.
 4. Connect canopy plate to junction box by mounting screws (C)
Rotate screws (D) into canopy plate and fix canopy by rotating finials.
 5. Slide plastic cover and canopy onto tubing (be careful of the location)
and slide tow nuts (B) onto the tubing.
 6. Put bracket between nuts and tighten them.
 7. Fix the bracket with the nuts (B) provided.
 8. Put the I (L) Strengthened Plate (F) and tracks on the back of connector
and track, and fix the I/L Strengthened Plate (F) with screws (E) by
rotating the nut (G) until it is tightened.
 9. Slid the wires into through the hole of Connectors. Cut and strip wires
and fasten to screws terminals in connectors.
- CAUTION :** Screws must be fastened tightly to avoid risk of fire.
10. Push the wireway cover down till it was tightened.
 11. Install the other Pendant Assembly Kist by referring reverse instruction.

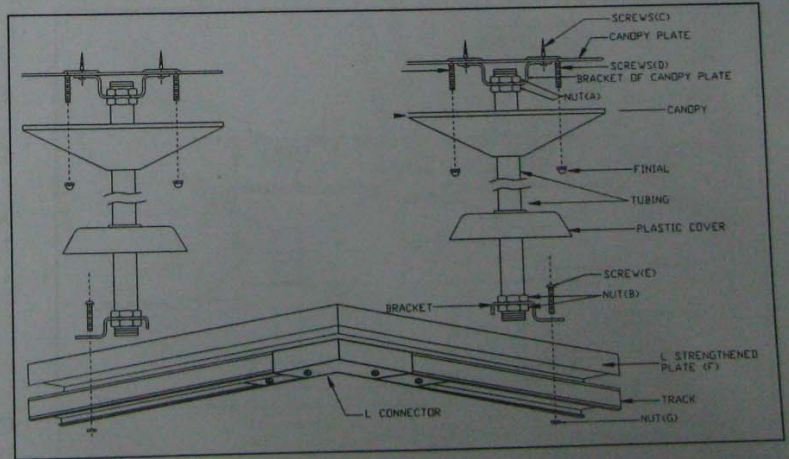
INSTALLATION INSTRUCTION OF PENDANT ASSEMBLY KIT AND I / L STRENGTHENED PLATE



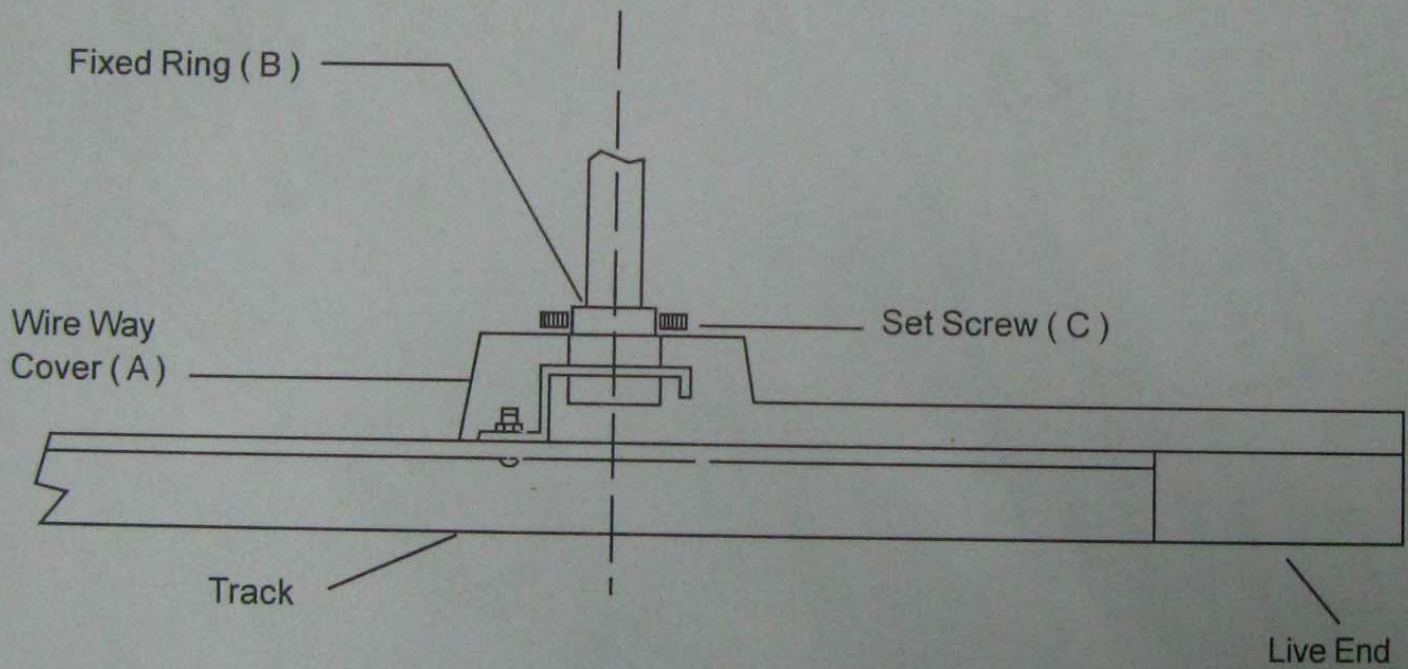
TO SUSPEND TRACK FROM CEILING ORDER AS FOLLOWS :
 2 KITS FOR 4' TRACK; 3 KITS FOR 6' TRACK; 3 OR 4 KITS FOR 8' TRACK; 5 KITS FOR 12' TRACK

WARNING : This Pendant Kit Assembly must be used with I/L Strengthened Plate. If track is connected and intended to be suspended from ceiling. Without using this I/L Strengthened Plate for Pendant Kit, there will be risk of fire.

1. Slide nuts (A) onto tubing. Put bracket between two nuts (A) and tighten them. Fix canopy plate to ceiling by screws (C) provided. Rotate screws (D) into canopy plate and fix canopy by rotating finial provided.
2. Slide plastic cover and canopy onto tubing (be careful of the location) and slide two nuts (B) onto the tubing.
3. Put bracket between nuts and tightened them.
4. Fix the bracket with the nuts (B) provided.
5. Repeat the same steps on the other Pendant Assembly Kits.
6. Put the I (L) Strengthened Plate (F) on the back of connector and track, and fix the I (L) Strengthened Plate (F) with screws (E) by rotating the nut (G) until it is tightened. Push the cover down till it was tightened



INSTALLATION INSTRUCTION OF WIRE WAY COVER



1. Slide the Wire Way Cover (A) and Fixed Ring (B) into the tube.
2. Locate the Wire Way Cover on the back of track and fix the Wire Way Cover by rotating the Set Screw (C) in the Fixed Ring by screw driver.