

SAFETY INFORMATION

Please read and understand this entire manual before attempting to assemble, install or operate the product.

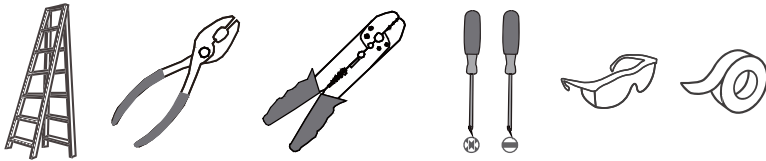
WARNING

- RISK OF ELECTRIC SHOCK - Before beginning installation, turn off electricity at the circuit breaker box or the main fuse box.
- RISK OF FIRE - Use bulbs specified by the markings and/or labels on the fixture.

CAUTION

- For your safety, read instructions completely before beginning installation.
- If in doubt about electrical installation, consult a licensed electrician.
- Turn off electricity to fixture and allow the bulbs to cool before replacing the bulb(s).
- Do not touch the bulb with bare hands use a cloth or glove.

TOOLS REQUIRED

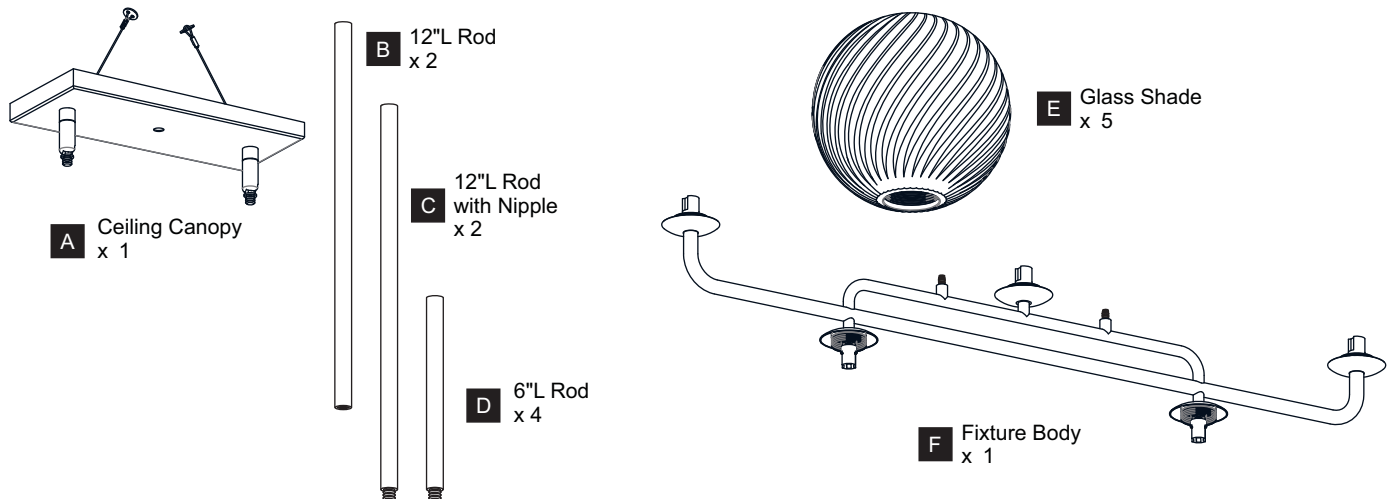


CARE AND MAINTENANCE

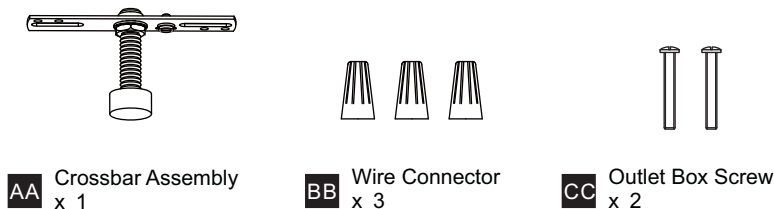
- Wipe clean using soft, dry cloth or static duster. Always avoid using harsh chemicals and abrasives to clean fixture as they may damage the finish.

If you need further assistance call Quozel Customer Care at 1-800-645-3184 (9:00am - 5:00pm EST), or visit us on-line at www.quezel.com.

PACKAGE CONTENTS



MOUNTING HARDWARE



AA Crossbar Assembly
x 1

BB Wire Connector
x 3

CC Outlet Box Screw
x 2

INSTALLATION

1 Install Rods

Optional Rods:

8 Feet Ceiling:
(2) 12"L Rods each side.

9 Feet Ceiling:
(2) 6"L Rods + (2) 12"L Rods each side.

2 Separate Swivels from Ceiling Canopy

3 Install Swivels and Ceiling Canopy to Upper Rods

Swivel

90Degree

For angled ceilings, Swivels opening towards wall.

* Make sure two swivels opening are in the same direction while assembling.

4 Install Crossbar Assembly

Outlet Box

5 Install Lanyards

Button Stop Lanyard

Lanyard

6 Wiring

White wire from supply

White from fixture

Black (or red) wire from supply

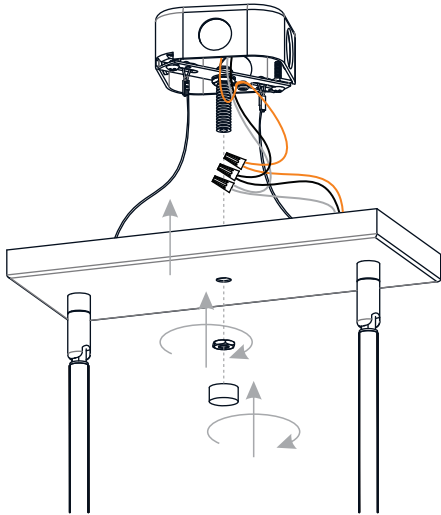
Black from fixture

Ground wire from supply

Ground wire from fixture

Green ground screw

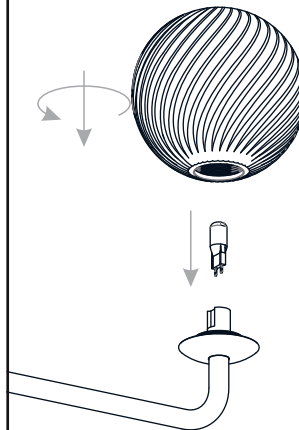
7 Install Ceiling Canopy




8 Install Bulbs and Glass Shades

Install five correct bulbs referring to fixture markings and/or labels for maximum wattage.

Recommended Bulb Type (not included):



	40W MAX
BULB BASE TYPE G9 BASE	BULB TYPE TYPE G9 T4 XENON CLEAR

* Do not touch the bulb with bare hands use a cloth or glove.

Your installation is now complete! Restore electricity and save this sheet for future reference.