



CAL LIGHTING

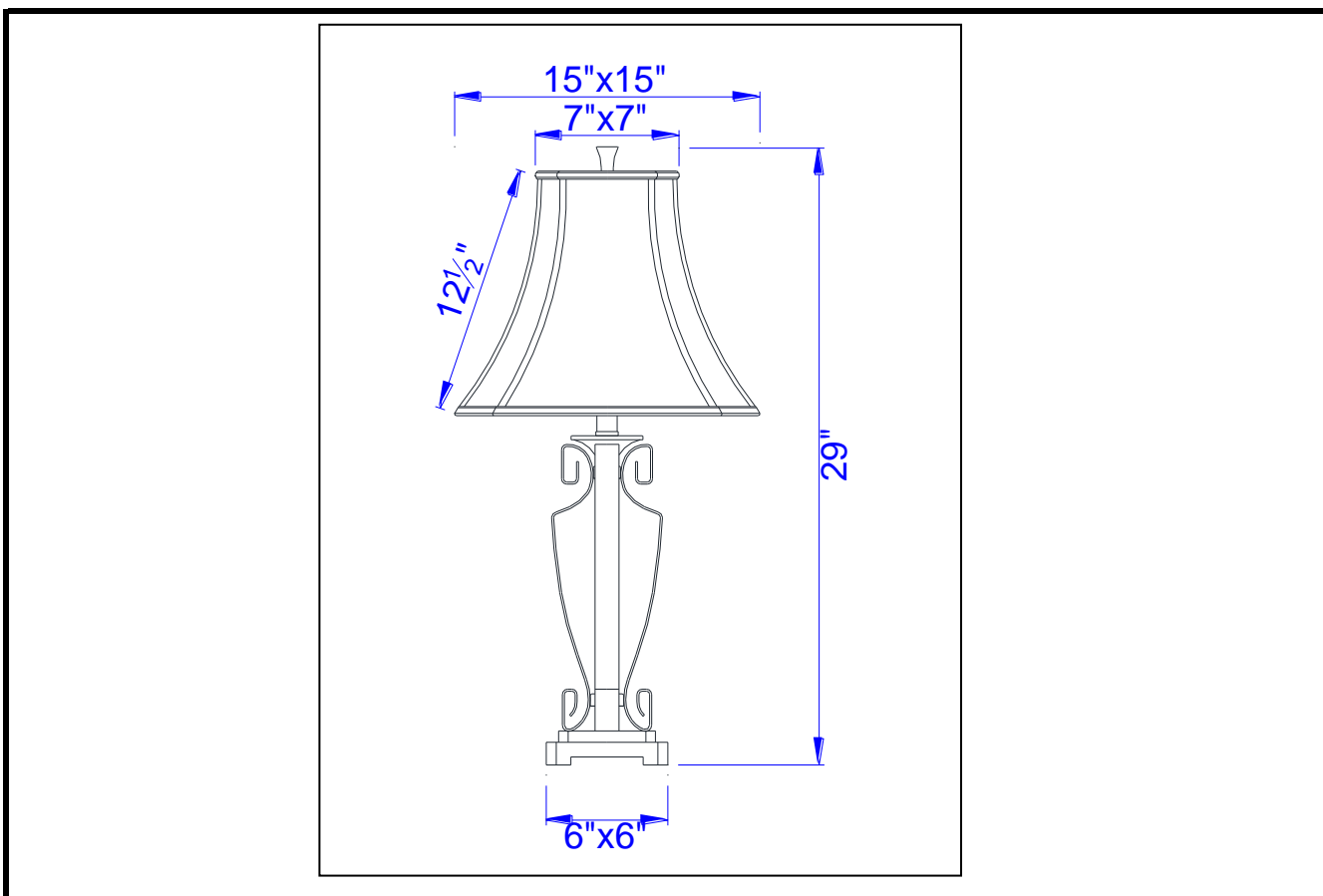
3625 E. Philadelphia St. Ontario CA. 91761 • Tel: 909.947.5200 • Fax:
909.947.5673 • www.calighting.com • service@calighting.com •
Specifications subject to change without notice

Type: _____

Project: _____

Catalog No.: _____

Lamp/Wattage: _____



- Model No:** BO-263TB
- Description:** Metal/Iron Table Lamp
- Material:** Metal
- Finish :** Black
- Height:** 29"
- Base Width:** 6"x6"
- Wattage :** 150W
- Socket :** Medium Base (E27)
- Switch:** 3-way
- Bulb:** Incandescent, CFL
- Wire Length:** 6'
- Wire Color:** Brown
- Shade No:** SH-1104
- Material:** Fabric
- Shade size:** (7"x7")x(15"x15")x12 1/2"

Certificate : 