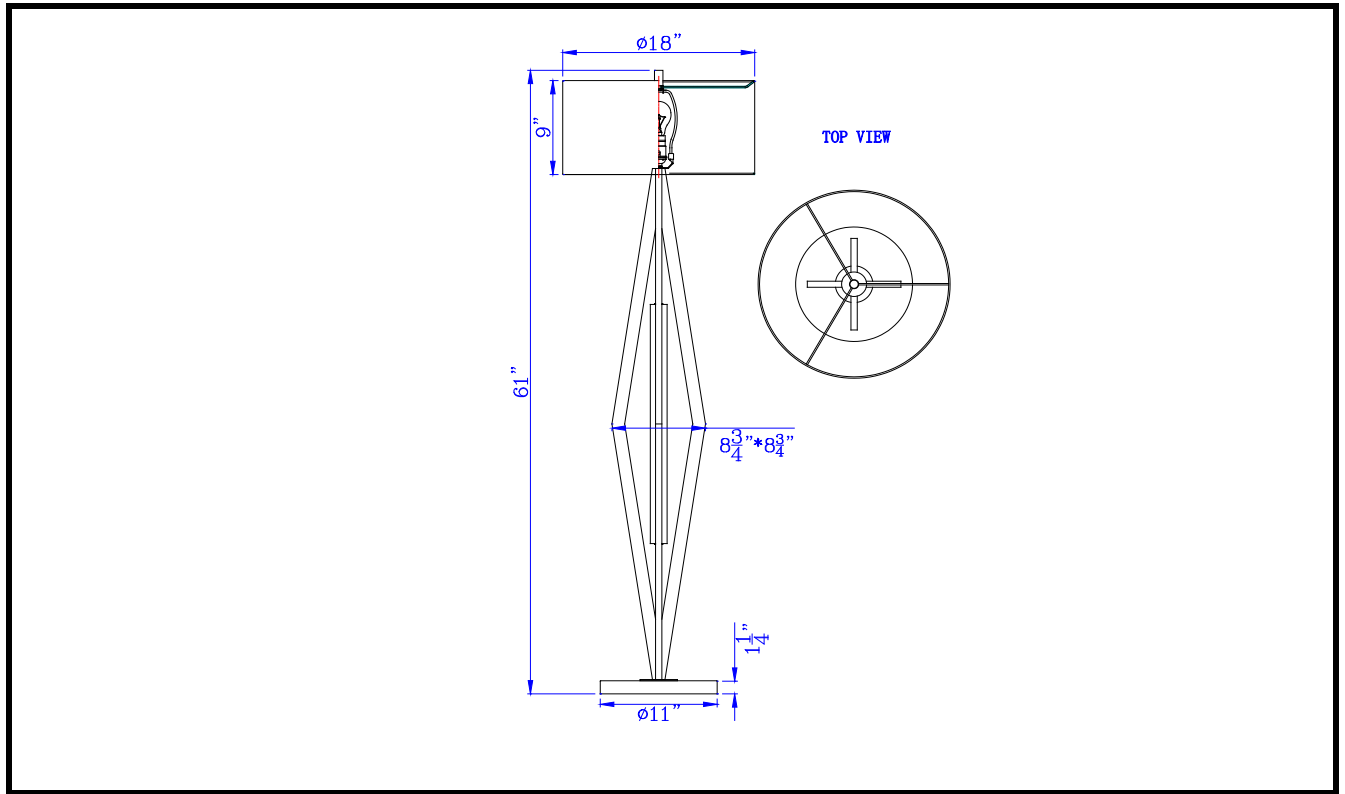




# CAL LIGHTING

3625 E. Philadelphia St. Ontario CA. 91761 • Tel: 909.947.5200 • Fax:  
909.947.5673 • www.calighting.com • service@calighting.com •  
Specifications subject to change without notice

Type: \_\_\_\_\_  
Project: \_\_\_\_\_  
Catalog No.: \_\_\_\_\_  
Lamp/Wattage: \_\_\_\_\_



**Model No:** BO-2867FL  
**Description:** Terrassa metal floor lamp with wood accent and hardback linen shade  
**Material:** Metal/Oak  
**Finish :** Iron Bronze/Wood  
**Height:** 61"  
**Reach/Depth:** 18"  
**Base Width:** Dia. 11"  
**Wattage :** 150W  
**Socket :** Medium Base (E26)  
**Switch:** 3-Way  
**Bulb:** Incandescent, CFL  
**USB:**  
**Outlet:**  
**Wire Length:** 6'  
**Wire Color:** Brown  
**Shade No:** SH-1493  
**Material:** Fabric  
**Shade size:** 18"x18"x9"  
**Certificate :**

