

# INSTALLATION INSTRUCTION

## Silo X20 LED Rail Luminaires

HM1-2020

WAC LIGHTING  
Responsible Lighting®

### WARNING

IMPORTANT: NEVER attempt any work without shutting off the electricity.

- Read all instructions before installing.
- System is intended for installation by a qualified electrician in accordance with the National Electrical Code and local regulations.
- Place the wall switch in the "OFF" position.
- Go to the main fuse box, or circuit breaker. Switch "OFF" the circuit breaker switch(es) that control the power to the fixture or room that you are working on.

### AVERTISSEMENT

IMPORTANT : Coupez l'électricité avant TOUTE manipulation.

- Lisez toutes les instructions avant d'installer.
- Système est destiné à être installé par un électricien qualifié en conformité avec le code national de l'électricité et les règlements locaux.
- Placez l'interrupteur mural en position d'arrêt (« OFF »).
- Accédez au panneau central de disjoncteurs ou de fusibles de votre demeure et placez l'interrupteur principal en position d'arrêt (« OFF »).

All parts must be used as indicated in these instructions. Do not substitute any parts, leave parts out, or use any parts that are worn out or broken. Failure to follow this instruction could invalidate the UL/CUL listing of this fixture.

### OVERVIEW:

Fixtures are designed for use on WAC Lighting's HM1 series Flexrail™ system only.  
Dimmable with compatible electronic low voltage (ELV) dimmer.

### INSTALLING ON TRACK:

1. Unscrew the cap ring from the rail adapter. **Fig.1**
2. Align contact points of the adapter to the rail.
3. Insert the open end of the rail adapter into the rail, aligning plastic hump in rail adapter to wider groove of the rail.
4. Place the cap ring back onto the rail adapter and screw tight.
5. After the rail adapter is installed, rotate the luminaire body horizontally or vertically to aim properly. **Fig.2**

FIG.1

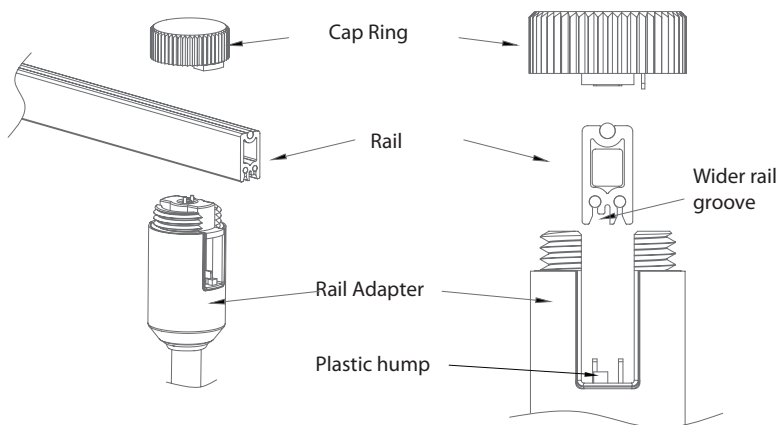
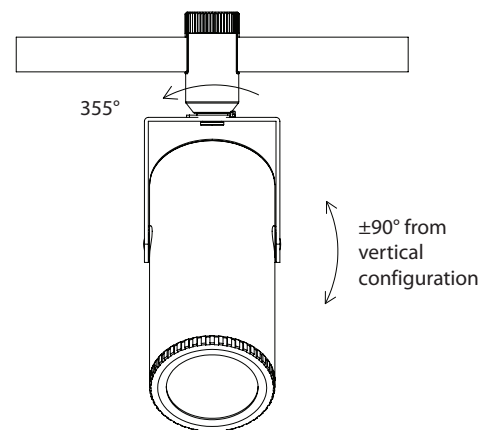


FIG.2



**Note:** All parts must be used as indicated in these instructions. Do not substitute any parts, leave parts out, or use any parts that are worn out or broken. Failure to follow this instruction could invalidate the UL/CUL listing of this fixture.

WAC Lighting  
www.waclighting.com  
Phone (800) 526.2588 • Fax (800) 526.2585

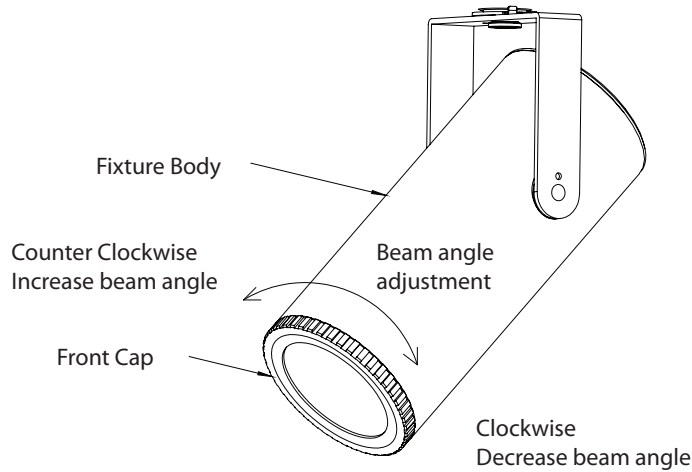
Headquarters/Eastern Distribution Center  
44 Harbor Park Drive • Port Washington, NY 11050  
Phone (516) 515.5000 • Fax (516) 515.5050

Western Distribution Center  
1750 Archibald Ave • Ontario, CA 91761  
Phone (800) 526.2588 • Fax (800) 526.2585

**BEAM ANGLE ADJUSTMENT : (Fig.3)**

1. Hold fixture body with one hand and front cap with another.
2. Grip the front cap with two fingers and rotate it gently clockwise or counter clockwise until desired beam angle is achieved.
3. Cease rotation when you feel resistance as beam angle is reaching its minimum or maximum

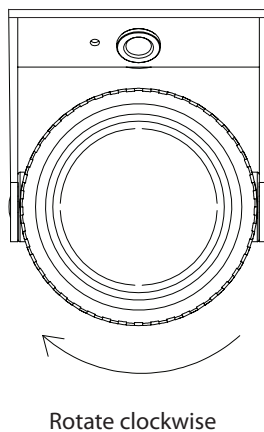
**Fig.3**



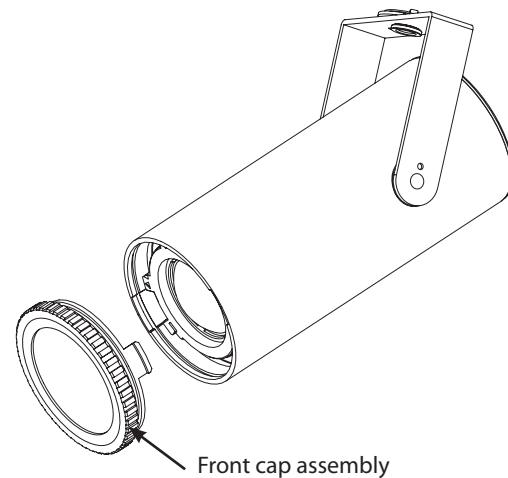
**ACCESSORIES:**

1. With fixture powered off and front cap facing toward you, rotate the front cap clockwise just passed the position you feel a "click" (**Fig. 4**)
2. Gently, while holding fixture body secure, rock front cap assembly back and forth while pulling it away from fixture body to remove front cap assembly (**Fig. 5**)

**Fig.4**



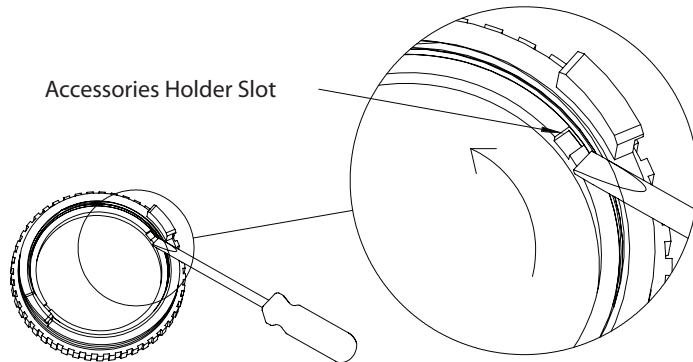
**Fig.5**



**ACCESSORIES:**

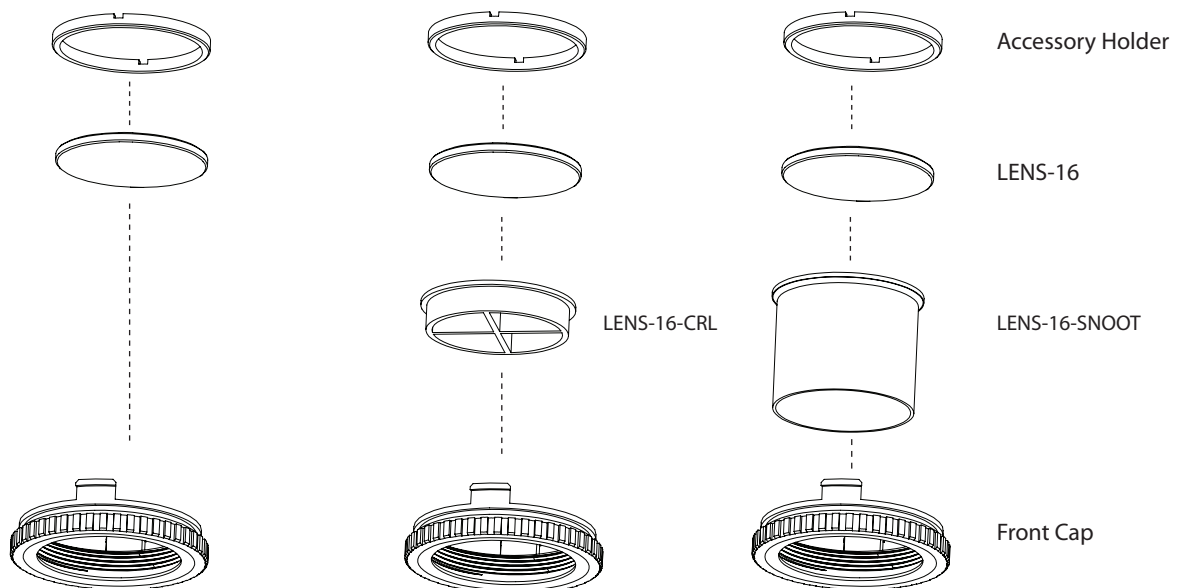
3. Use a flat-tip-screwdriver to remove the accessory holder by rotating it counter clockwise. **(Fig. 6)**

**Fig.6**



4. Fixture accommodates one lens and one glare control accessory. Refer to spec sheet for list of compatible accessories. Install accessories between the front cap and accessory holder. Tighten accessory holder after accessories are installed. **(Fig.7)**

**Fig.7**



5. Ensure internal fixture lens is still at the top position, and lens holder slots align with fixture body slots.  
Align the front cap tabs with the fixture body slots and insert the front cap assembly back into the fixture.  
Once fully inserted, rotate the front cap assembly counter clockwise passed the “click” and to the desired beam angle. **(Fig. 8)**

**Fig.8**

