

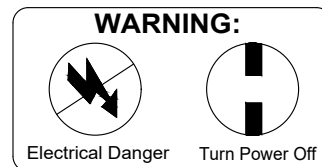
CRYSTORAMA



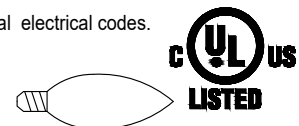
Crystorama.com

LIGHTING THE WAY FOR SIXTY YEARS

ASSEMBLY INSTRUCTION MODEL #4803-SR

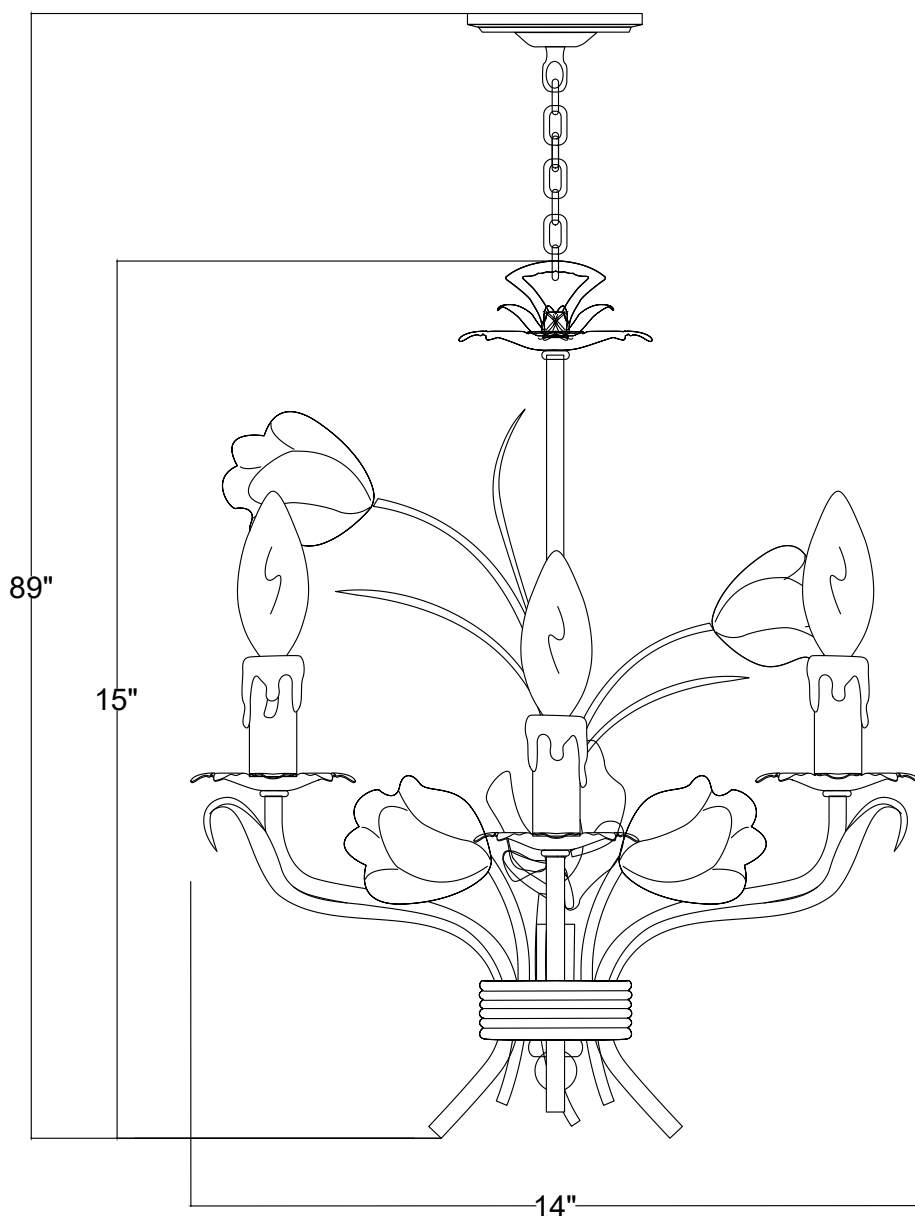


All electrical components must be installed by a licensed electrician in accordance with the National Electric Code and the appropriate local electrical codes.



You will need 3- Candelabra Base Bulb
40 Watts recommended 60 Watts Max.
USE LED BULBS FOR EXTENDED USE

The fixture is Damp rated



HOW TO INSTALL:

Place the fixture parts on a soft cloth-covered platform before installation of fixture.

1. Attach the mounting bar onto the outlet box.
2. Screw the Center column kit onto the Bottom kit.
3. Insert the center flowers into the sheath of each center stem.
4. Decide the desired hanging height and adjust the chain to the correct length.
5. Raise the fixture up and do the wire connection. Attach the canopy over the mounting bar and secure with collar ring.

WARNING: This product can expose you to Lead, which is known to the State of California to cause cancer and/or birth defects or reproductive harm. For more information go to www.p65warnings.ca.gov

CRYSTORAMA



LIGHTING THE WAY FOR SIXTY YEARS

ASSEMBLY INSTRUCTION MODEL #4803-SR

Part Number

Part Numbers

- A. (2)-Wire connector
- B. (1)-Mounting bar
- C. (2)-Outlet box screw
- D. (1)-Lock washer
- E. (1)-Hex nut
- F. (1)-Nipple
- G. (1)-Canopy (W5 3/8"xH1 3/8")-XSN4803SRCAN5.375IN
- H. (1)-Collar Ring
- I. (1)-Collar Loop
- J. (1)-Chain (3mmx72")-XSN4803SRCHA3.0MM
- K. (1)-Center Column Kit Loop
- L. (1)-Center Column Kit
 - Top leaf x1.
 - Top Bobeche ; Ø3 1/8", no pin, 10.3mm center hole.
 - Center stem with sheaths ; Ø3/8", H10 5/8"
 - Center flower x2.
- M. (3)-Candle sleeve ; H2"-XSN4803SRCDL2IN
- N. (3)-Bobeche ; Ø3 1/8", no pin, 10.3mm center hole.
 - XSN4803SRBOB3.125IN
- O. (1)-Bottom Kit
 - 5" Arm x3.
 - Bottom flower x3.
 - Coupling.
 - Distributor box ; Ø2", H1 1/4"
 - Metal wire ring.
- P. (1)-Finial-XSN4803SRFIN

