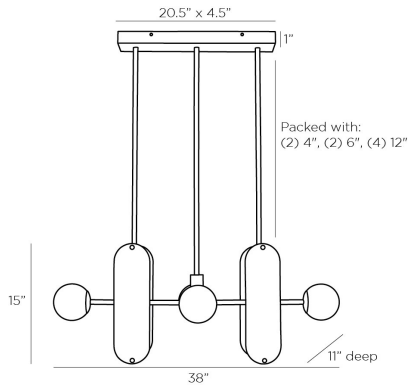


# ARTERIOS

## MARADONA PENDANT



89478

H: 17.5 IN, W: 38 IN, D: 11 IN

White Alabaster, Bronze

Contract Suitable As Is

The Maradona Pendant is an English bronze iron frame with white alabaster shades. Each globe/panel is integrated LED for ample light. Additional pipe available (PIPE-490). Damp-rated, although limited covered outdoor areas may affect finish. Alabaster will vary.

### APPEARANCE

Material	Alabaster, Iron
Finish	English Bronze, White
Finish Will Vary	true
Top Coat/Sealant	true

### DIMENSIONS

Pendant	H: 15 IN, W: 38 IN, D: 11 IN
Minimum Hanging Height	17.5 IN
Maximum Hanging Height	45.5 IN
Canopy	H: 1 IN, W: 20.5 IN, D: 4.5 IN

### WIRING

Rating	Damp
LED Color Temp	3000K
LED CRI	90+
LED Compatible Dimmer	0-10 V Dimmer
LED Lumens	4370
Certification Note	CANNOT BE REWIRED FOR INTL USE.
Cord	7 FT, Clear/Silver, SVT
Socket	8, Integrated LED
Maximum Watt	3
Voltage	110-120 V
LED Lifespan	20,000

### CERTIFICATIONS

Certifications	Mexico Australia, European Union, United Arab Emirates, United States, Canada
----------------	--

### COMPLIANCY

UL/ETL	Yes
CB	Yes
RoHS	true

### SHIPPING

Product Weight	35.5 LBS
Gross Weight 1	44 LBS
Shipping Box 1	H: 13 IN, L: 35.6 IN, W: 24.4 IN
Shipping Box 2	H: 0 IN, L: 0 IN, W: 0 IN
Shipping Box 3	H: 0

### REPLACEMENT PARTS

Replacement Part 1	PIPE-490
Replacement Part 1 Dim	(1) 4", (1) 6", (1) 12"

### CONTRACT

Contract Suitable	true
-------------------	------