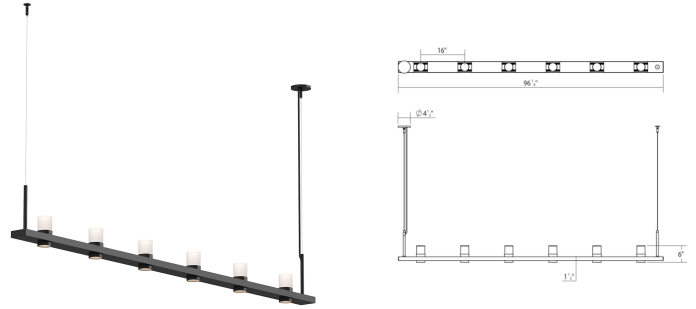


Project:

Intervals Linear Beam Pendant Spec Sheet

SKU: 20QKL08C Learn more at:
<https://sonnemanlight.com/intervals-linear-beam-pendant>

Description: Intervals is a uniquely integrated linear architectural lighting system of rhythmically aligned bidirectional illumination, with a range of available decorative and functional trims. Architecturally scaled, the suspended horizontal beams span long lengths within a space, supported from ceiling-mounted cables or stems, forming a dramatically powerful approach to illuminating architecturally expansive locations. SONNEMAN's new **INTERVALS Recessed Downlights** extend and support these Intervals Linear Beam Pendants. Together, they achieve a comprehensive and unified approach to dynamically lighting interior spaces.



Type #:

Dimensions

Height:	11.5"
Width:	96.25"
Length:	4"
Canopy/Backplate/Base:	4.5"
Hanging Details:	10' Adjustable Cable
Size:	8'

Installation

Installation:	Licensed electrician required
Sloped Ceiling Compatible?:	Compatible
Minimum Hanging Height:	14.25"
Maximum Hanging Height:	134.25"

General Listings

Features:	Damp Rated
Certification:	cETL
Color/Finish:	Satin Black w/Etched Cylinder Uplight Trim
Dark Sky Friendly:	N

Shade

Shade 1 Material:	Glass
Shade 2 Material:	Aluminum

Electrical Specs

Bulb(s) Included?:	Yes
Bulb 1 Type:	Integral LED
Bulb Quantity:	6
Input Voltage:	120-277VAC
Wattage:	27
Initial Lumens:	8670
Color Temperature:	3000K
CRI:	90
Power Supply Type:	Driver
Power Supply Quantity:	2
Power Supply Location:	Fixture
Dimming Type:	TRIAC & ELV @120V / 0-10V

Available Finishes

Available Finishes: Satin Black w/Clear w/Cone Uplight Trim, Satin Black w/Etched Cylinder Uplight Trim, Satin White w/Clear w/Cone Uplight Trim, Satin White w/Etched Cylinder Uplight Trim