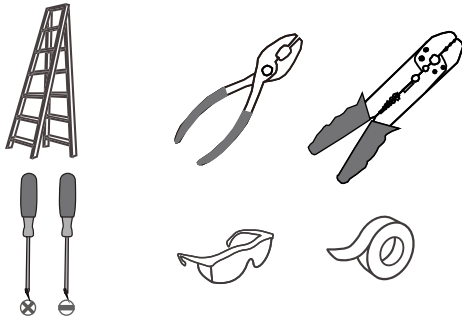
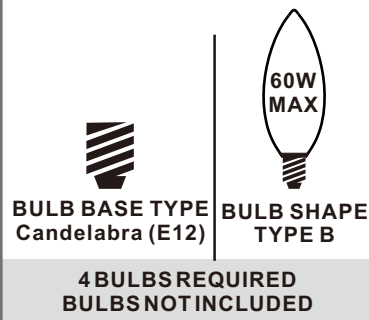


**Tools Required**



**Light Source**



**Fixture Height Adjustable  
15.5" to 45.75"**

**⚠ Warnings and Cautions**

Turn off the electricity at the circuit breaker before installation. Consult a licensed electrician if in doubt about installation.

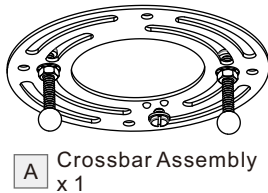
Turn off power to the fixture and allow the bulbs to cool before replacing.

**Package Contents**

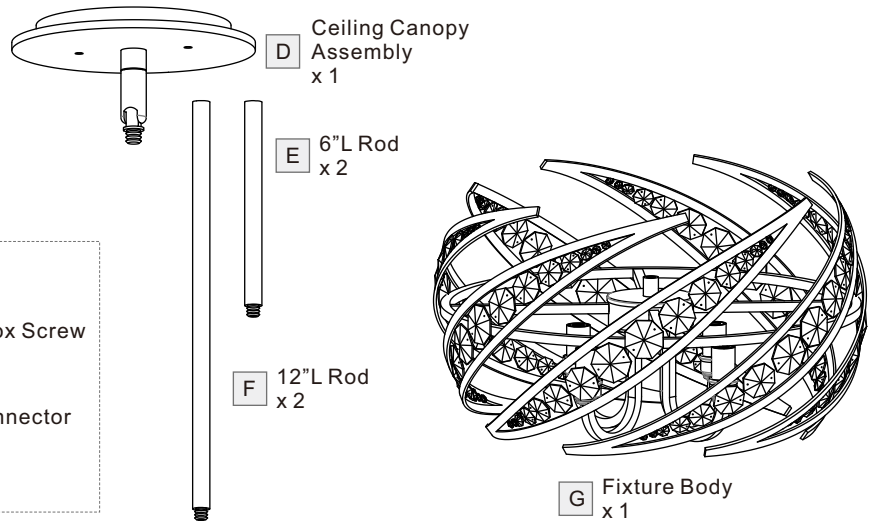
**Preparation:** Identify and inspect all parts before beginning the installation.

Missing or damaged parts? Contact your original place of purchase.

**PARTS BAG**



- B** Outlet Box Screw x 2
- C** Wire Connector x 3



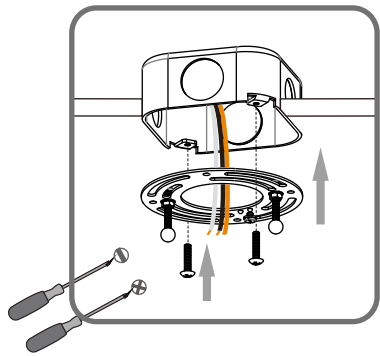
**Table of Contents**

Crossbar Assembly	Ceiling Canopy Assembly & Downrod	Lanyard	Wiring	Ceiling Canopy	Bulb
STEP 1	STEP 2	STEP 3	STEP 4	STEP 5	STEP 6

**STEP 1**

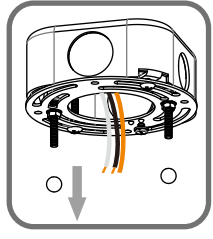
**1**

**Step 1**  
Install crossbar assembly

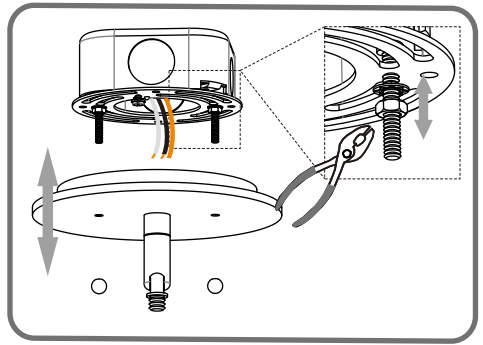


**2**

**Step 2 - 3**  
Test fitting ceiling canopy to mounting screws



**3**



**STEP 2**

**OPTION 1**

Pendant — PCCN2818PK

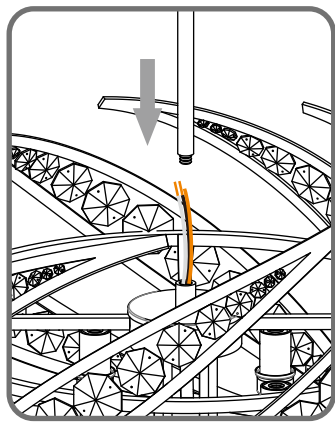
**Optional Rods**

**8' ceiling:**  
(2) 12" L rods

**9' ceiling:**  
(2) 6" L + (2) 12" L rods

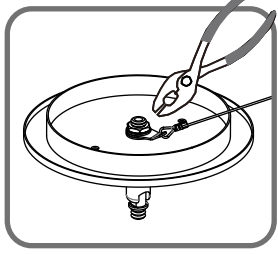
**1**

Install rods



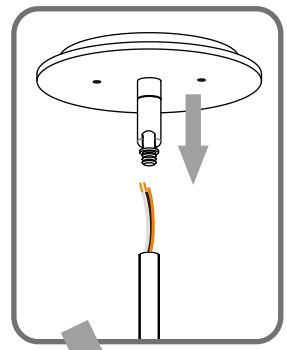
**2**

Tighten hex nut inside of the ceiling canopy



**3**

Install Ceiling Canopy

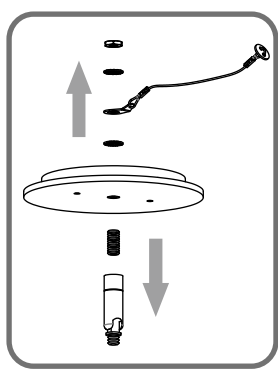


**OPTION 2**

Semi-flush — PCCN1718PK

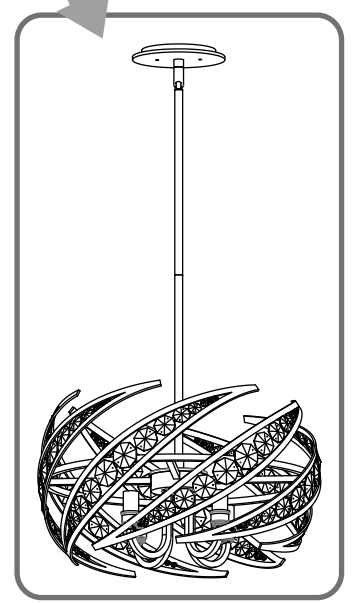
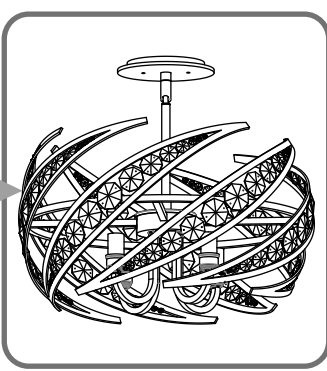
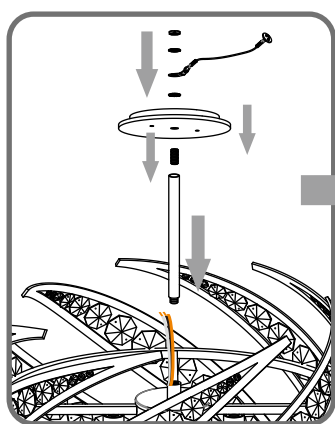
**1**

Remove swivel

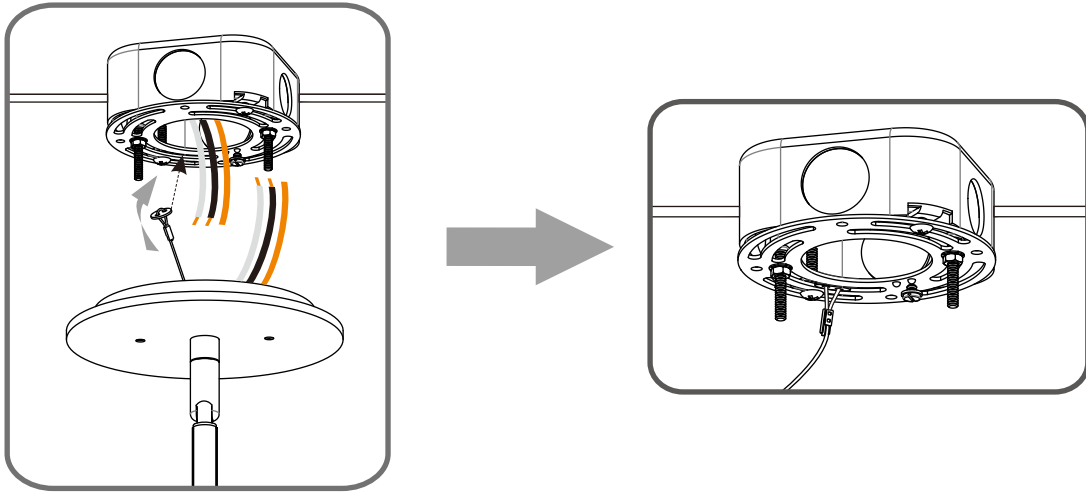


**2**

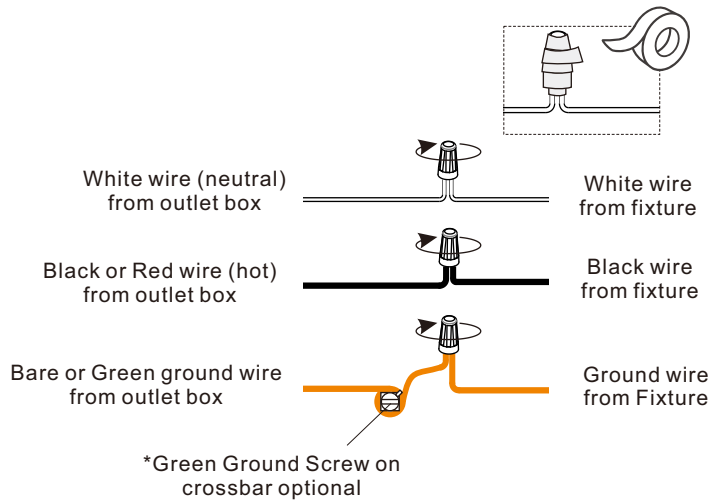
Install (1) 6" L rod and ceiling canopy



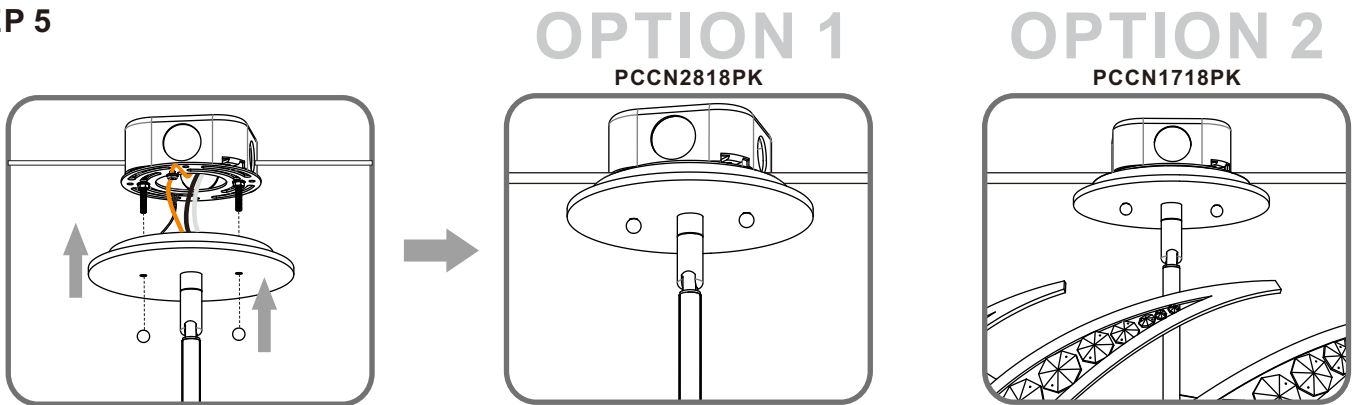
**STEP 3**



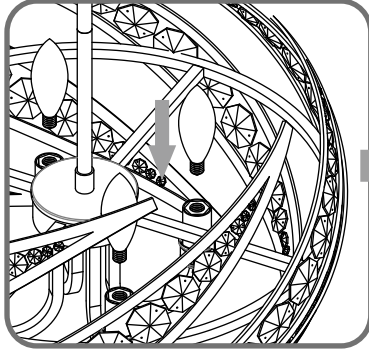
**STEP 4**



**STEP 5**

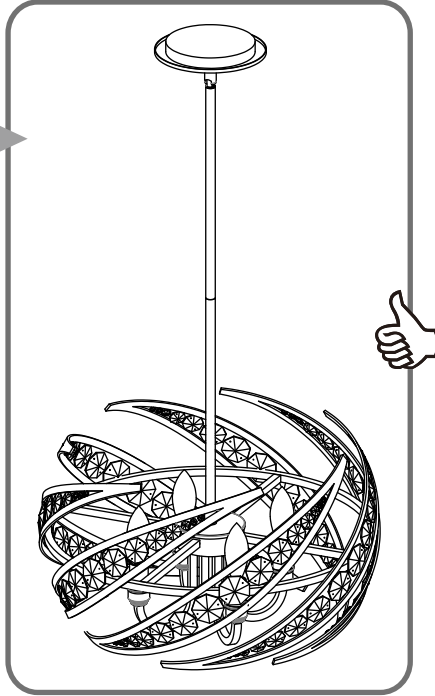


**STEP 6**



**OPTION 1**

PCCN2818PK



**OPTION 2**

PCCN1718PK

