

INSTALLATION GUIDE FOR PIN2816WS and PIN1716WS

Released Date: 2021-06-28

SAFETY INFORMATION

Please read and understand this entire manual before attempting to assemble, install or operate the product.

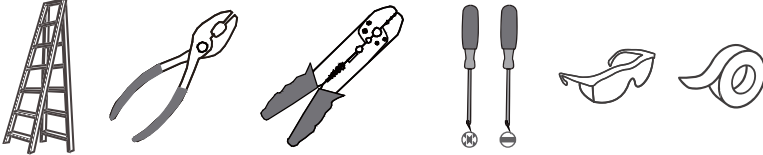
WARNING

- RISK OF ELECTRIC SHOCK - Before beginning installation, turn off electricity at the circuit breaker box or the main fuse box.
- RISK OF FIRE - Use bulbs specified by the markings and/or labels on the fixture.

CAUTION

- For your safety, read instructions completely before beginning installation.
- If in doubt about electrical installation, consult a licensed electrician.
- Turn off electricity to fixture before replacing the bulb(s).

TOOLS REQUIRED

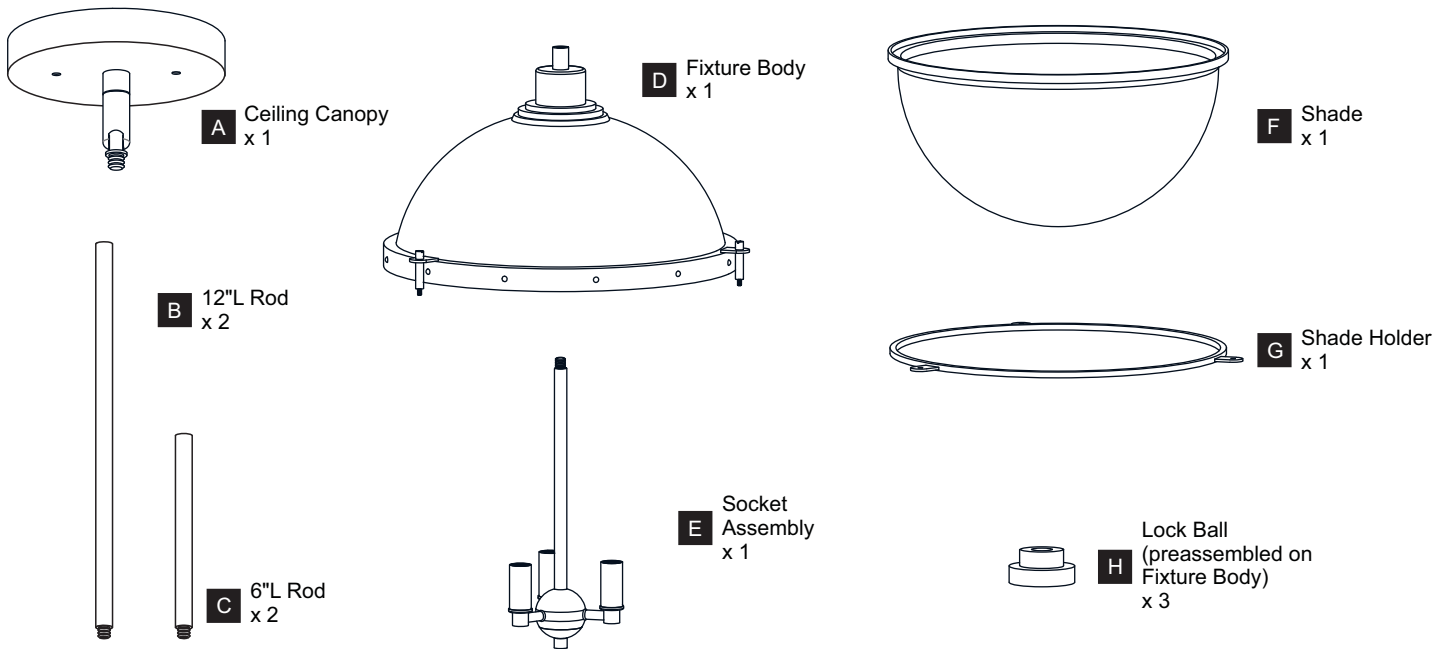


CARE AND MAINTENANCE

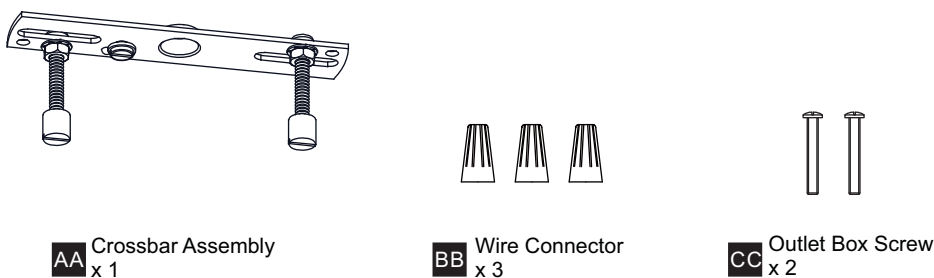
- Wipe clean using soft, dry cloth or static duster. Always avoid using harsh chemicals and abrasives to clean fixture as they may damage the finish.

If you need further assistance call Quozel Customer Care at 1-800-645-3184 (9:00am - 5:00pm EST), or visit us on-line at www.quozel.com.

PACKAGE CONTENTS



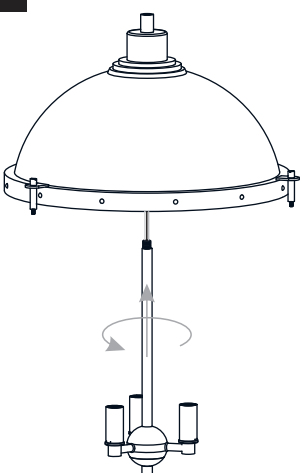
MOUNTING HARDWARE



INSTALLATION

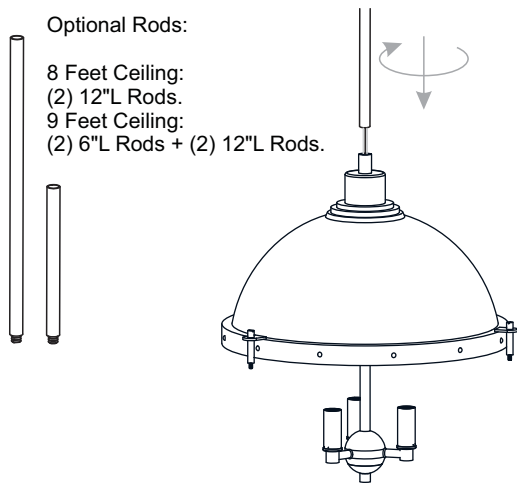
OPTION 1: PENDANT PIN2816WS

1 Install Socket Assembly

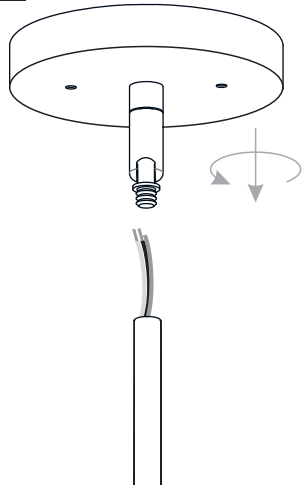


2 Install Rods

Optional Rods:
8 Feet Ceiling:
(2) 12"L Rods.
9 Feet Ceiling:
(2) 6"L Rods + (2) 12"L Rods.

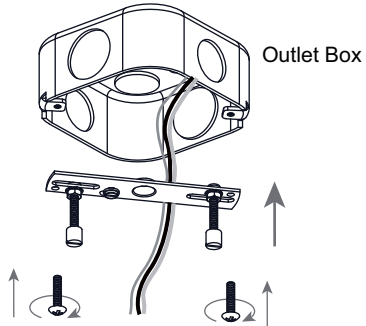


3 Install Ceiling Canopy to Upper Rod

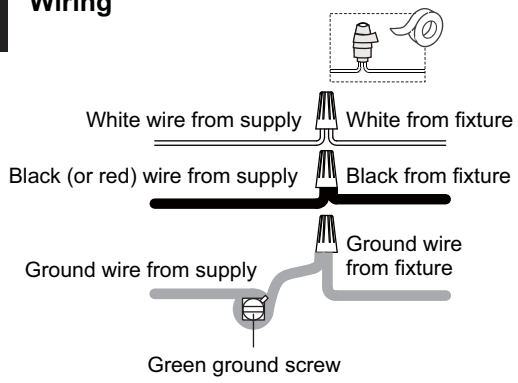


4 Install Crossbar Assembly

Outlet Box

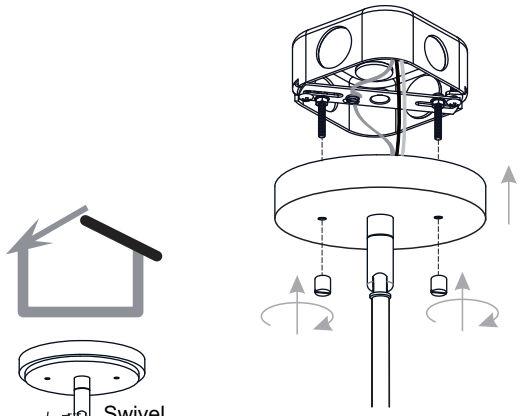


5 Wiring



White wire from supply White from fixture
Black (or red) wire from supply Black from fixture
Ground wire from supply Ground wire from fixture
Green ground screw

5 Install Ceiling Canopy to Crossbar Assembly



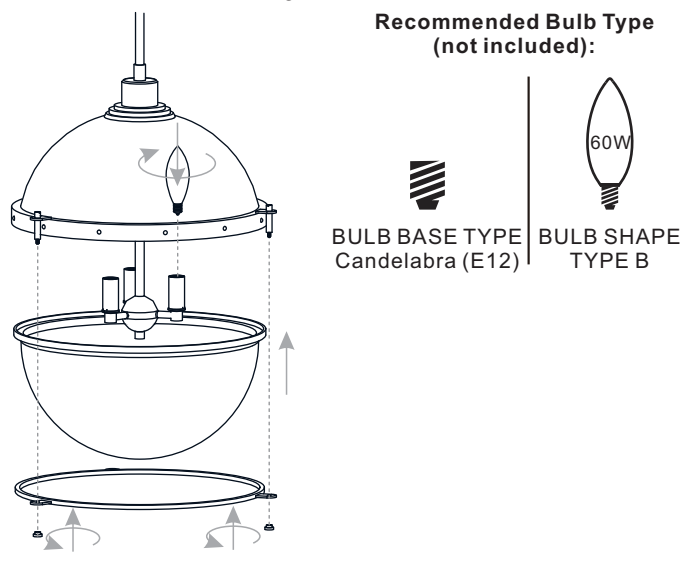
90Degree Swivel
For angled ceilings,
Swivel opening towards wall.

7 Install Shades and Bulbs

Install three correct bulbs referring to fixture markings and/or labels for maximum wattage.

Recommended Bulb Type (not included):

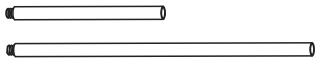
BULB BASE TYPE	BULB SHAPE
Candelabra (E12)	TYPE B



INSTALLATION

OPTION 2: SEMI-FLUSH PIN1716WS

* Set aside the swivel, (2) 6"L Rods and (2) 12"L Rods since they are not required for the semi-flush installation.



1 Install Ceiling Canopy

2 Install Crossbar Assembly

3 Wiring

White wire from supply White from fixture

Black (or red) wire from supply Black from fixture

Ground wire from supply Ground wire from fixture

Green ground screw

4 Install Ceiling Canopy to Crossbar Assembly

5 Install Shades and Bulbs

Install three correct bulbs referring to fixture markings and/or labels for maximum wattage.

Recommended Bulb Type (not included):

BULB BASE TYPE Candelabra (E12)	BULB SHAPE TYPE B

Your installation is now complete! Restore electricity and save this sheet for future reference.