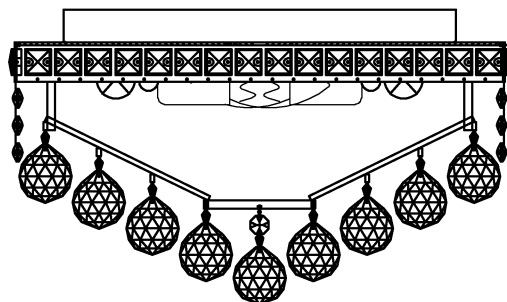


Trade Mark:
CRYSTAL WORLD INC

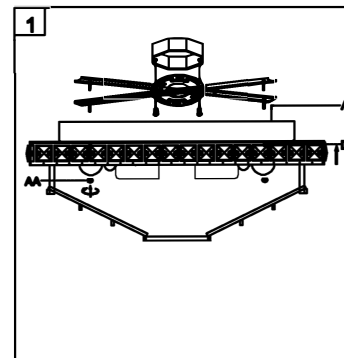
Product Name: Ceiling lamp
Model :8002C14C
120Vac, 60Hz,AC ONLY
Lamp size:Ø14"XH9"



Intertek
4006677

CEILING LAMP ASSEMBLY INSTRUCTIONS

1. Place fixture(A) onto mounting screws (DD), secure with cap nuts (AA).

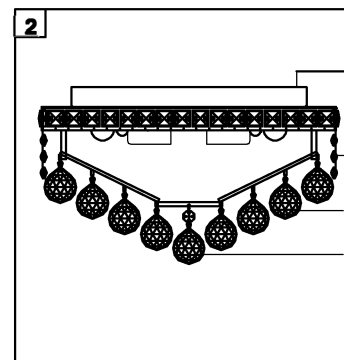
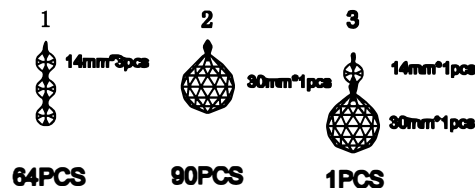



Hardware Used

AA Cap nut  X 4

DD Mounting screw  X 4

2. Please put the crystal(1) (2) (3) to the fixture (A) .



3. Install light bulbs (not included).
Use bulb
120V E12  4*40W Max.

