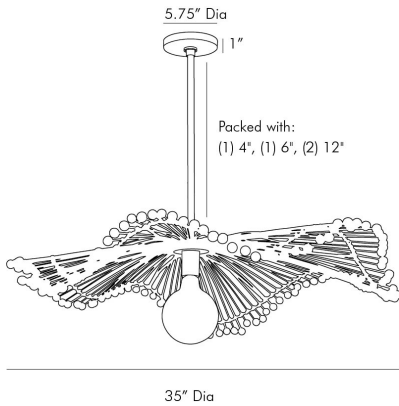


# ARTERIOS

## WAVERLY PENDANT



45046  
H: 8.5 IN, Dia: 35.00 IN  
Natural Buri and Rattan, Antique Brass  
Contract Suitable As Is

Old world techniques are brought into play with this naturally unique pendant. An array of buri sticks bound with thin pieces of rattan flow from an antique brass steel stem into a wavy, parasol-esque shape. Wood beads trim the slightly askew foundation, emphasizing the overall design of the organic and eye-catching form. Due to the handmade nature, slight variances may occur. Damp-rated, although limited covered outdoor conditions may affect finish. Additional pipe available (PIPE-504).

### APPEARANCE

|                  |                               |
|------------------|-------------------------------|
| Material         | Rattan, Steel, Wood           |
| Finish           | Antique Brass, Black, Natural |
| Finish Will Vary | true                          |
| Top Coat/Sealant | false                         |

### DIMENSIONS

|                        |                       |
|------------------------|-----------------------|
| Pendant                | Dia: 35.00 IN         |
| Minimum Hanging Height | 8.5 IN                |
| Maximum Hanging Height | 42.5 IN               |
| Canopy                 | H: 1 IN, Dia: 5.75 IN |

### WIRING

|                     |                          |
|---------------------|--------------------------|
| Rating              | Damp                     |
| Suggested Bulb Type | G40                      |
| Cord                | 10 FT, Clear/Silver, SVT |
| Socket              | 1, Type A- E26 Other     |
| Photographed Bulb   | 5" Frosted Globe Bulb    |
| Maximum Watt        | 100                      |
| Voltage             | 110-120 V                |

### CERTIFICATIONS

|                |   |
|----------------|---|
| Certifications | Mexico<br>European Union, United Arab Emirates, United States, Canada |
|----------------|---|

### COMPLIANCY

|        |      |
|--------|------|
| UL/ETL | Yes  |
| CB     | Yes  |
| RoHS   | true |

### SHIPPING

|                |                             |
|----------------|-----------------------------|
| Product Weight | 5 LBS                       |
| Gross Weight 1 | 7 LBS                       |
| Gross Weight 2 | LBS                         |
| Shipping Box 1 | H: 9 IN, L: 38 IN, W: 39 IN |
| Shipping Box 2 | H: 3 IN, L: 3 IN, W: 10 IN  |

### ADDITIONAL INFO

|          |             |
|----------|-------------|
| Features | Sustainable |
|----------|-------------|

### REPLACEMENT PARTS

|                        |                         |
|------------------------|-------------------------|
| Replacement Part 1     | PIPE-504                |
| Replacement Part 1 Dim | (1) 4", (1) 6", (1) 12" |
| Replacement Part 2     | CANOPY-654              |
| Replacement Part 2 Dim | 1" x 5.75"              |

### CONTRACT

|                   |      |
|-------------------|------|
| Contract Suitable | true |
|-------------------|------|