

SAFETY INFORMATION

Released Date: 2022-03-07

Please read and understand this entire manual before attempting to assemble, install or operate the product.

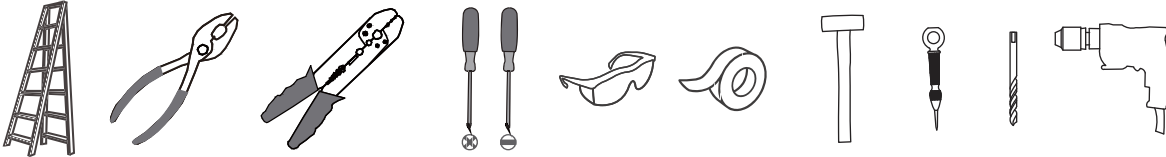
WARNING

- RISK OF ELECTRIC SHOCK - Before beginning installation, turn off electricity at the circuit breaker box or the main fuse box.
- RISK OF FIRE - Use bulbs specified by the markings and/or labels on the fixture.

CAUTION

- For your safety, read instructions completely before beginning installation.
- If in doubt about electrical installation, consult a licensed electrician.
- Turn off electricity to fixture before replacing the bulb(s).

TOOLS REQUIRED

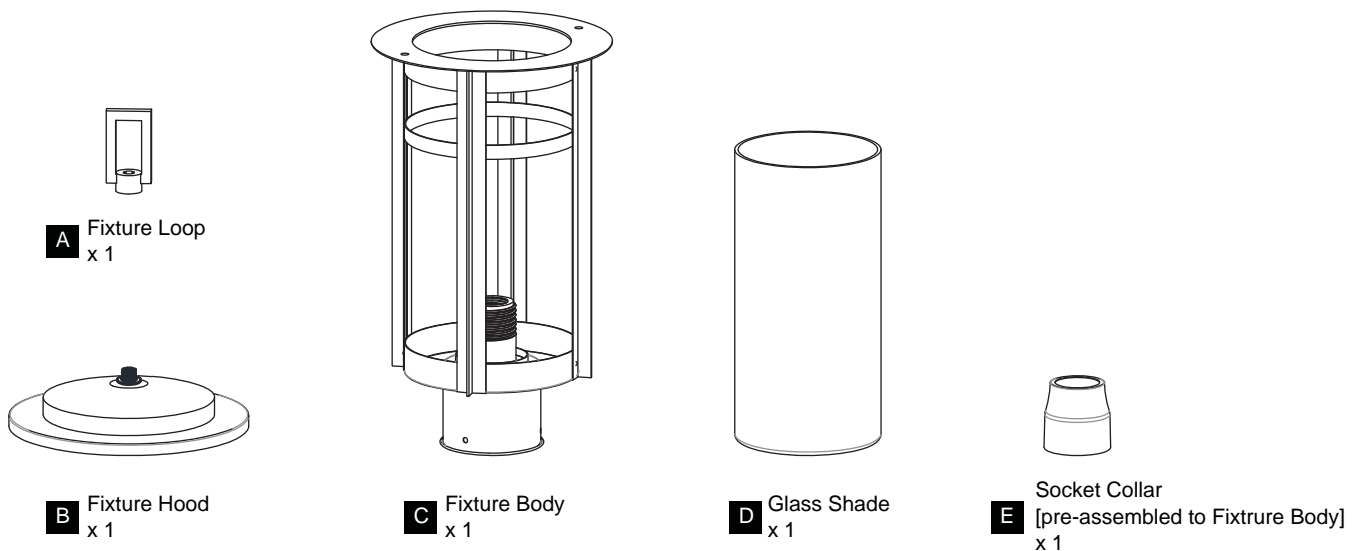


CARE AND MAINTENANCE

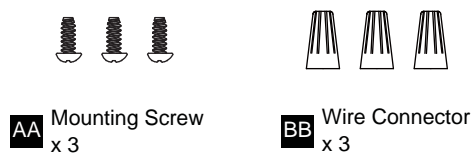
- Wipe clean using soft, dry cloth or static duster. Always avoid using harsh chemicals and abrasives to clean fixture as they may damage the finish.

If you need further assistance call Quozel Customer Care at 1-800-645-3184 (9:00am – 5:00pm EST), or visit us on-line at www.quezel.com.

PACKAGE CONTENTS

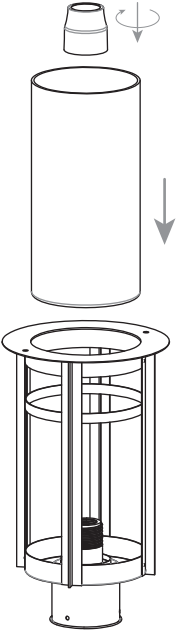


MOUNTING HARDWARE



SAFETY INFORMATION

1 Install Glass Shade





The diagram shows a glass shade being lowered onto a fixture body. The shade is a cylindrical glass piece with a flared top. The fixture body is a metal cage with a central post and a base. An arrow points down from the shade to the fixture body.

2 Install Bulb

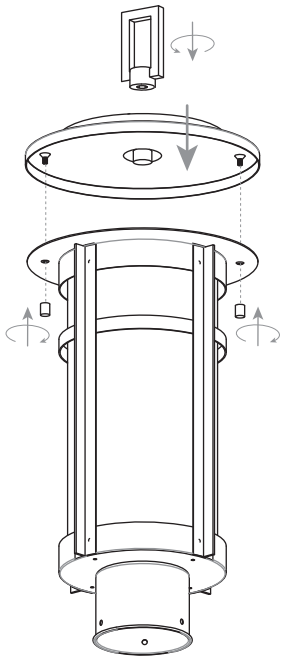
Install the correct bulb referring to fixture markings and/or labels for maximum wattage.

Recommended Bulb type (not included):

	
BULB BASE TYPE Medium (E26)	BULB SHAPE TYPE A

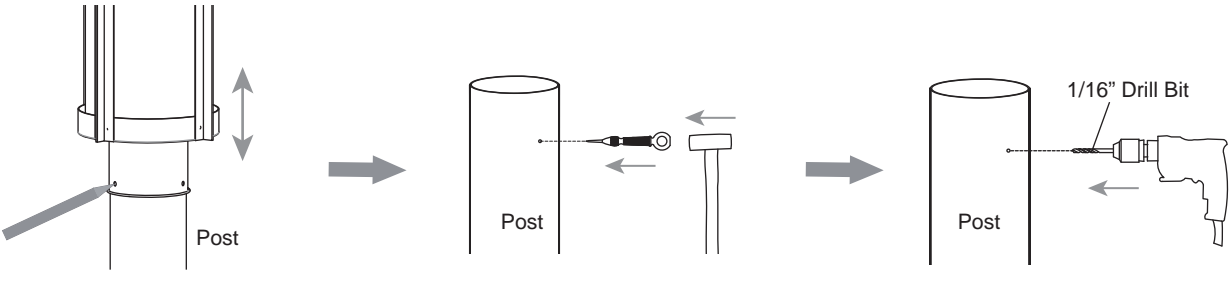
The diagram shows a light bulb with a medium (E26) base and a Type A shape. The bulb is labeled "100W MAX".

3 Install Fixture Hood



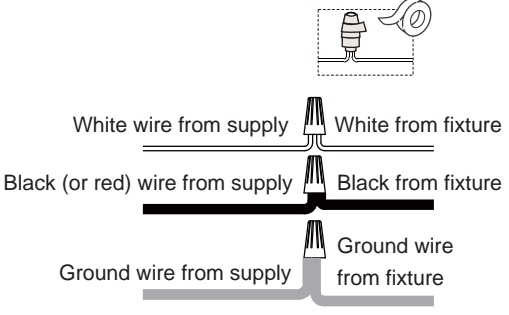
The diagram shows a fixture hood being attached to the fixture body. The hood is a circular metal piece with a central opening. The fixture body is a metal cage with a central post and a base. Arrows point down from the hood to the fixture body.

4 Drill Mounting Holes on Post



The diagram shows the process of drilling mounting holes on the post. It starts with a post and a fixture body. An arrow points to a post with a hole being drilled. A hammer is shown tapping the post. Another arrow points to a post with a hole being drilled using a 1/16" Drill Bit.

5 Wiring

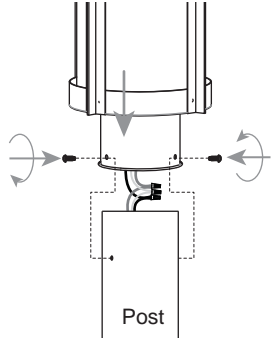


The diagram shows the wiring connections for the fixture. It shows three wires from the supply and three wires from the fixture. The connections are as follows:

White wire from supply	White from fixture
Black (or red) wire from supply	Black from fixture
Ground wire from supply	Ground wire from fixture

The diagram shows the wires being connected to the fixture. The white wire from the supply is connected to the white wire from the fixture. The black (or red) wire from the supply is connected to the black wire from the fixture. The ground wire from the supply is connected to the ground wire from the fixture.

6 Install Fixture Body



The diagram shows the fixture body being attached to the post. The fixture body is a metal cage with a central post and a base. The post is inserted into the fixture body. Arrows point down from the fixture body to the post.

Your installation is now complete! Restore electricity and save this sheet for future reference.