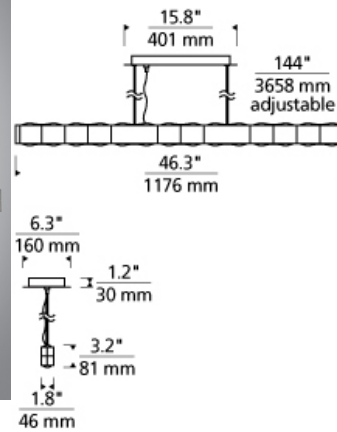


LINEAR SUSPENSION

Biza Linear Suspension LED T20

DESCRIPTION

The Biza suspension piece by Tech Lighting converges bold geometric angles into a seemingly complex yet simply beautiful piece. The bottom diffuser is composed of clear injection molded plastic inserts which add remarkable depth and illusion when viewed from below. Additional molded plastic inserts in either silver or black sit atop the fixture reinforcing its thoughtful shape. Horizontal and vertical lines intersect throughout the piece adding additional visual interest. Scaling at 46.3" in length the Biza is ideal for dining room lighting, foyer lighting and home office lighting. Your choice of fully dimmable energy efficient integrated LED lamping ships with the Biza saving you both time and money. The bottom diffuser is composed of clear injection molded plastic inserts which add remarkable depth and illusion when viewed from below. Additional molded plastic inserts in either silver or black sit atop the fixture reinforcing its thoughtful shape. Horizontal and vertical lines intersect throughout adding additional visual interest. Direct version includes 45 watts LED strips, 2400 net lumens, 3000K LED. Direct/Indirect version includes 50 watts LED strips, 25 watts, 1750 net lumens of downlight and 25 watts, 1750 net lumens of uplight. Ships with 21 feet of field-cutttable cord and twelve feet of aircraft cable.



INSTALLATION

This product can mount to either a 4" square electrical box with round plaster ring or an octagonal electrical box (not included).

WEIGHT

8-8.5lb / 3.63-3.86kg ±



biza linear
suspension

ORDERING INFORMATION

700LSBIZA SHAPE OR SIZE	FINISH	LAMP
B 50% DIRECT / 50% INDIRECT DIRECT	S SATIN NICKEL	-LED830 LED 80 CRI 3000K 120V -LED830-277 LED 80 CRI 3000K 277V



TECH LIGHTING®

7400 Linder Avenue T 847.410.4400
Skokie, Illinois 60077 F 847.410.4500

Tech Lighting, L.L.C.

700LS BIZA _____

FIXTURE TYPE: _____

JOB NAME: _____

NOTES: _____



©2019 Tech Lighting, L.L.C. All Rights Reserved. The "Tech Lighting" graphic is a registered trademark of Tech Lighting, L.L.C. Tech Lighting reserves the right to change specifications for product improvements without notification.