



WS892-E26-WH

Decorative Vanity Wall Sconce
2-Light E26 Lamp Base Wall Sconce

INSTALLATION INSTRUCTIONS

Please read and save these instructions. Read carefully before using product. Protect yourself and others by observing all safety information, warnings and cautions. Failure to comply with instructions could result in personal injury and/or damage to product or property. Please retain instruction sheet for future reference.

IMPORTANT SAFETY INSTRUCTIONS

1. Read and follow all safety instructions.
2. Read completely before beginning. If you feel you do not have adequate electrical wiring experience, have this installed by a qualified licensed electrician.
3. All electrical connections must be in accordance with local codes, ordinances and the National Electric Code. This product operates on 120 VAC; always confirm the maximum wattage of the product does not exceed the maximum wattage of the circuit it is connected to. If you are unfamiliar with methods of installing electrical wiring, secure the services of a qualified licensed electrician.
4. Inspect the wire insulation for any cuts, abrasions or exposed copper that may have resulted during shipping. Do not install the product if any damage is seen on the product or power cables.
5. Prior to starting the installation, disconnect the power by turning off the circuit breaker or removing the appropriate fuse. (Turning off power using the light switch is not sufficient to prevent electrical shock).
6. For indoor use only.



TURN OFF ELECTRICITY

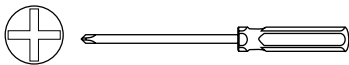
at main fuse box (or circuit breaker box) before beginning installation by switching circuit breaker off or removing fuse.
MIN 90° C SUPPLY CONDUCTORS.



CONSULT A QUALIFIED ELECTRICIAN TO ENSURE CORRECT BRANCH CIRCUIT

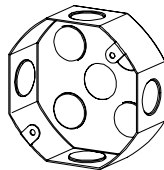
Operating Voltage 120V AC
Max Wattage 2x 60W E26 Lamp
Suitable for DAMP locations

TOOLS REQUIRED



PHILLIPS SCREWDRIVER

JUNCTION BOX REQUIRED



OCTAGONAL BOX
(Fixture Box)

HARDWARE INCLUDED



WIRE NUTS



OUTLET BOX
SCREWS



MOUNTING
SCREWS



NUT



MOUNTING
BRACKET



www.jescolighting.com
support@jescolighting.com
Tech Support: 855.592.0029

15 Harbor Park Drive
Port Washington, NY 11050
Main Line: 800.527.7796
Fax Line: 855.265.5768

219 South 6th Ave
City of Industry, CA 91746
Main Line: 855.654.0110
Fax Line: 626.333.2955

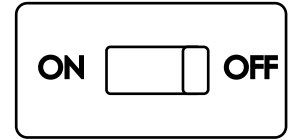
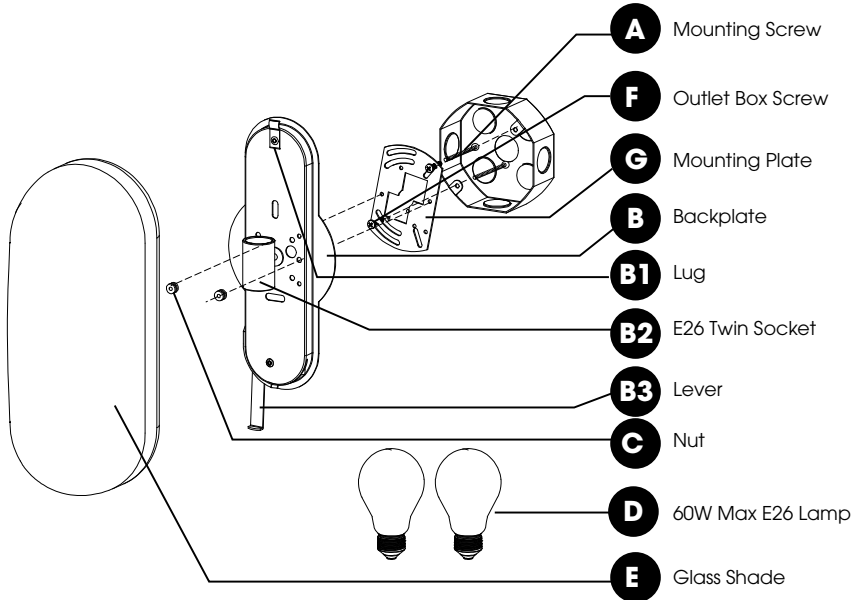
Instruction sheet subject to change without prior notice.



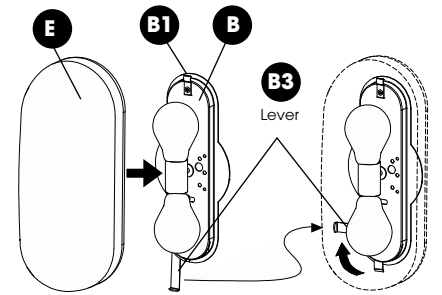
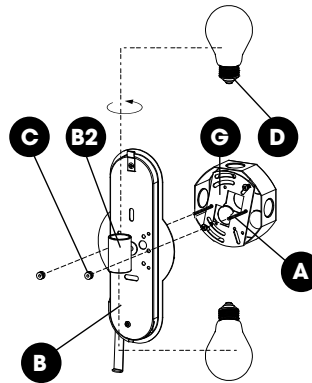
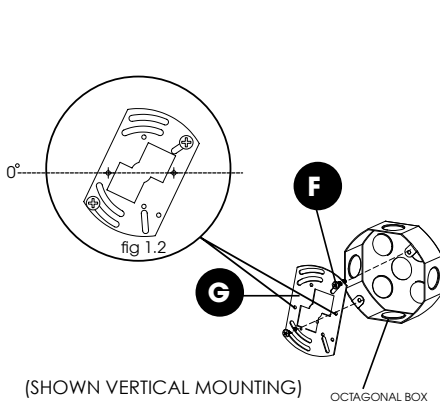
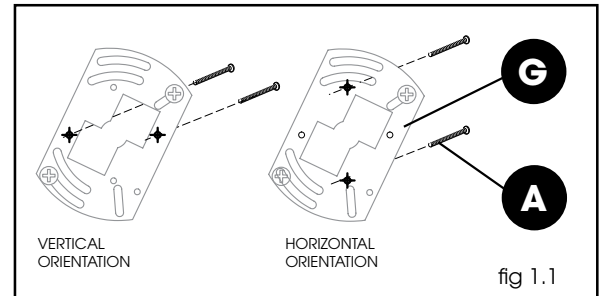
WS892-E26-WH

Decorative Vanity Wall Sconce
2-Light E26 Lamp Base Wall Sconce

INSTALLATION INSTRUCTIONS



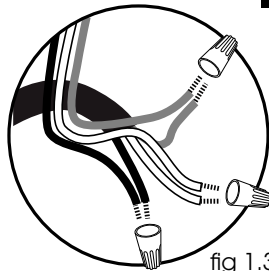
**TURN OFF ELECTRICITY
AT MAIN FUSE BOX**



- Determine mounting orientation of the fixture, then thread **A** mounting screws through the back of **G** mounting plate's holes as illustrated in (fig 1.1), make sure mounting screws' threads face outward.
- Secure **A** mounting plate to octagonal box with **F** outlet box screws, make sure the 2 screw holes on mounting plate are leveled as shown in (fig 1.2).

- Connect supply wires to fixture wires and secure with wire nuts as shown in (fig 1.3).
- Match **A** mounting screws to **B** backplate's mounting holes as shown above.
- Secure **B** backplate to octagonal box by threading **C** nuts onto **A** mounting screws.
- Install two **D** 60W MAX E26 lamps onto **B2** E26 twin socket.

- Place **E** glass shade over **B** backplate and makes sure **E** glass shade's lip goes over **B1** lug on top of **B** backplate.
- Once **E** glass shade is in place, turn **B3** lever 90 degree clockwise to secure **E** glass shade to the **B** back plate.



BLACK to BLACK
WHITE to WHITE
COPPER to GREEN or COPPER

fig 1.3

