

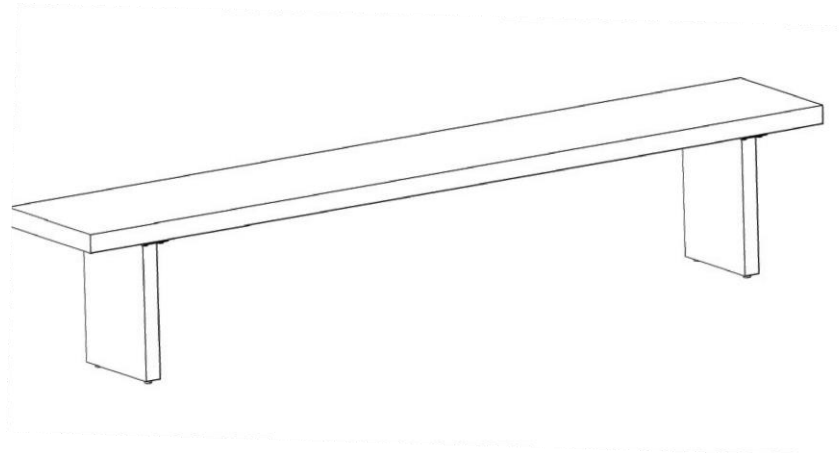
MOE'S

home collection

ASSEMBLY INSTRUCTIONS.

KOSHI BENCH

QM-1005-29

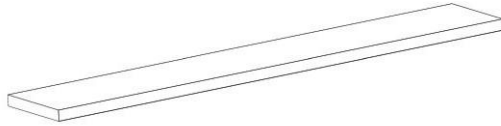


THANK YOU FOR YOUR PURCHASE!

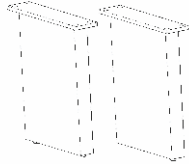
PARTS AND HARDWARE.

PART LIST




P1 - BENCH TOP x 1



P2 - LEGS x 2



HARDWARE LIST

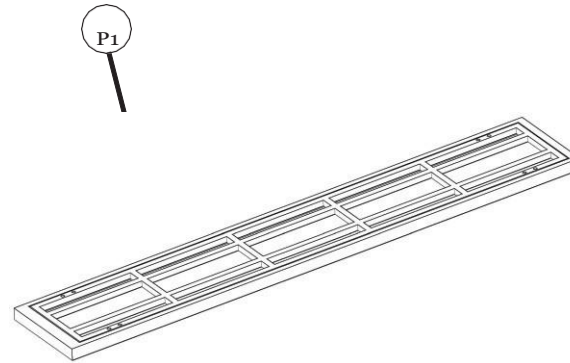
NO.	DESCRIPTION	IMAGE	QTY.
H1	ALLEN BOLT (M9X25MM)		8
H2	ALLEN KEY		1
H3	ADJUSTER (8/20X10 MM)		4

NOTES.

Thank you for purchasing this quality product be sure to check all packing material carefully for small parts that may have been loose inside the carton during shipping.

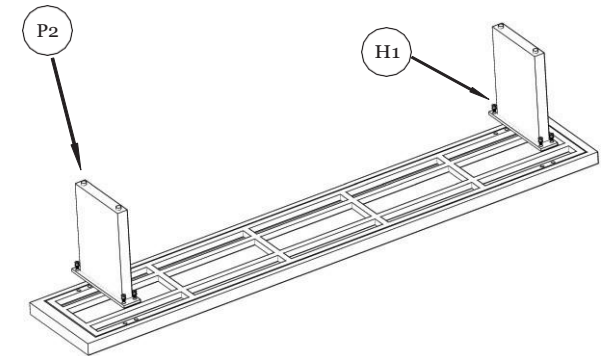
CAUTION: The item is heavy, assembly should be performed by four people.

STEP 1.



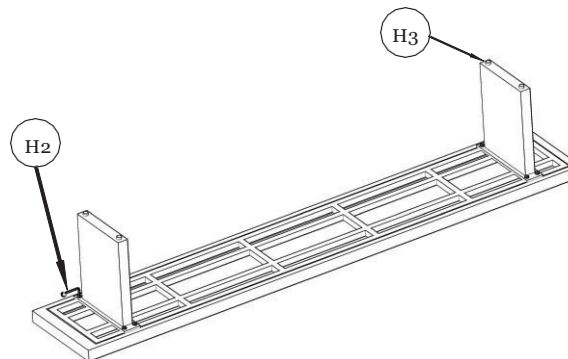
OPEN THE PACKING AND PLACE THE BENCH TOP UP SIDE DOWN ON SMOOTH SURFACE (CARPET)

STEP 2.



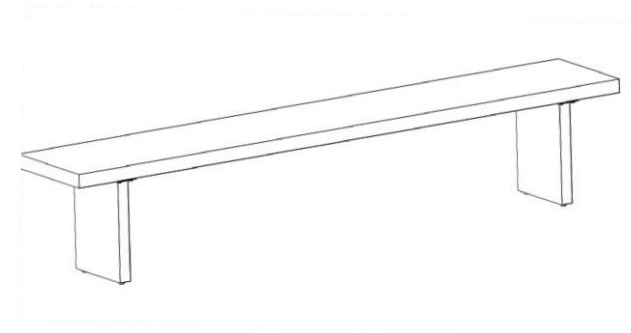
PLACE THE LEGS ON THE HOLE & MATCH BENCH AND LEG NUMBERS

STEP 3.



USE THE ALLEN KEY TO SCREW THE ALLEN BOLT FROM THE BOTTOM OF THE BENCH TOP

STEP 4.



FINAL ASSEMBLY