

Please go to www.quoizel.com for product cleaning tips. Go to the **Care + Maintenance** selection.

Tools Required: Flathead screwdriver, Phillips screwdriver, pliers, wire cutters, wire strippers, electrical tape, safety glasses.

Light Source: LED 34W

Fixture Hanging Height: Minimum Hanging Height is 8.5", Maximum Hanging Height is 85.5".

Estimated Assembly Time: 20-30 minutes

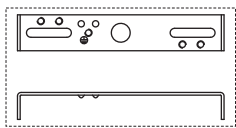
Preparation: Identify and inspect all parts before beginning installation. Check package content list and diagrams below to ensure all parts are present. If any parts are missing or damaged, do not attempt to assemble, install, or operate the fixture. Contact your original place of purchase.

⚠ Warnings and Cautions

Turn off electricity at circuit breaker or main fuse box before installation. Consult a licensed electrician if in doubt.

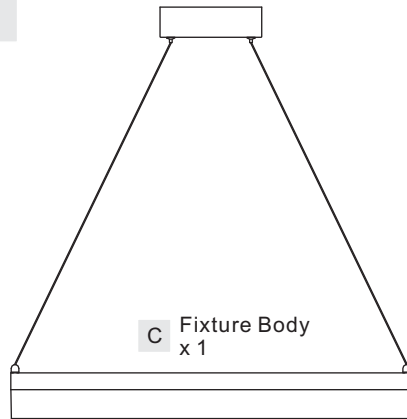
These instructions are provided for your safety. It is very important you read them completely before installing the fixture. We strongly recommend that a licensed, professional electrician perform the installation.

Package Contents



A Crossbar
x 1

B Mounting Screw
x 2



C Fixture Body
x 1

STEP 1 - Adjust Fixture Height

- Press each button on the bottom of the ceiling canopy and adjust each cord in or out of the ceiling canopy to achieve your desired fixture height.
- Move safety clip on the cord next to the hex nut inside of the ceiling canopy.
- If necessary, loosen the set screw on the copper stopper and move the copper stopper to proper location on the cable. Tighten the set screw until snug to secure the copper stopper.

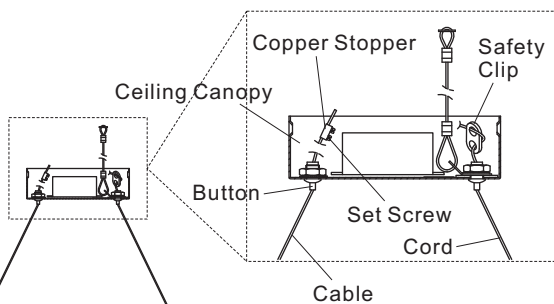


Figure 1

STEP 2 - Install the Crossbar to the junction box

- Attach the Crossbar (A) to the outlet box with the head of the green ground screw facing you. Secure it with outlet box screws (not included), tighten until snug.

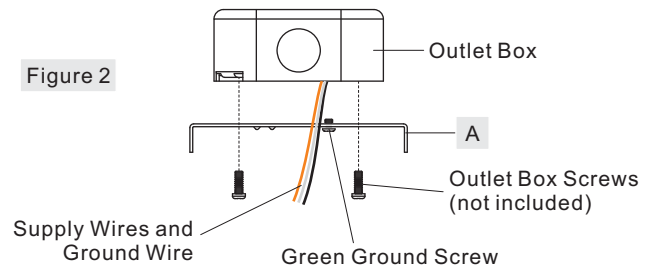


Figure 2

STEP 3 - Attach the Lanyard

- The purpose of the lanyard is to provide a means to support the fixture hands free from the junction box while connecting the electrical wires.
- Turn the Button Stop so it may be inserted into a Crossbar slot. Make sure the Button Stop is completely inside the Crossbar. Slowly release the fixture to make sure it is supported by the Button Stop. Proceed to the wiring steps in the next step. Once you are complete with the wiring, the Lanyard will push into the junction box when the fixture is placed for final mounting.

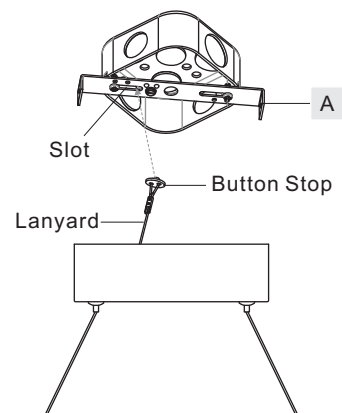


Figure 3

STEP 4 - Wire Connections

- A. Wrap bare or green ground wire around green ground screw on the crossbar, no less than 2 inches from the end of the wire. Tighten the green ground screw.
- B. Use standard wire connectors (not included) to make all wire connections. Twist connectors until wires are tightly joined together. Wrap each connection with approved electrical tape and carefully stuff all the connected wires into the Outlet Box.

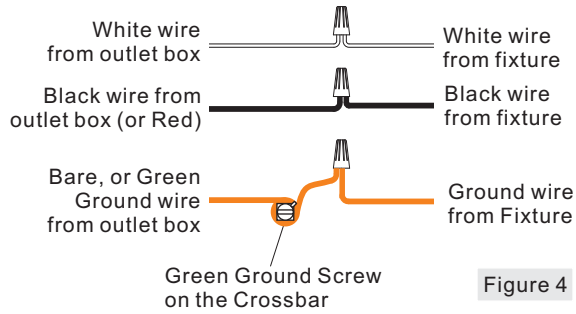


Figure 4

STEP 5 - Install the Ceiling Canopy to Crossbar

- A. Position the ceiling canopy of the Fixture Body (C) onto the Crossbar (A). Align the holes on the side of the ceiling canopy to mounting holes on the side of the Crossbar (A). Secure by using Mounting Screws (B) and hand tighten until snug.

Your fixture is now assembled and ready to use. Enjoy!

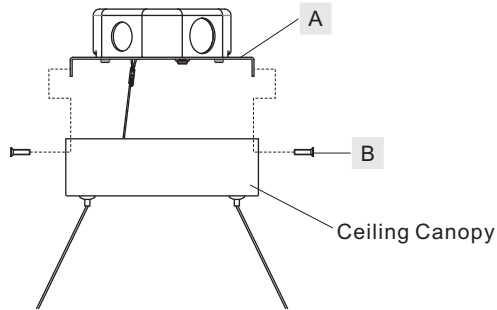
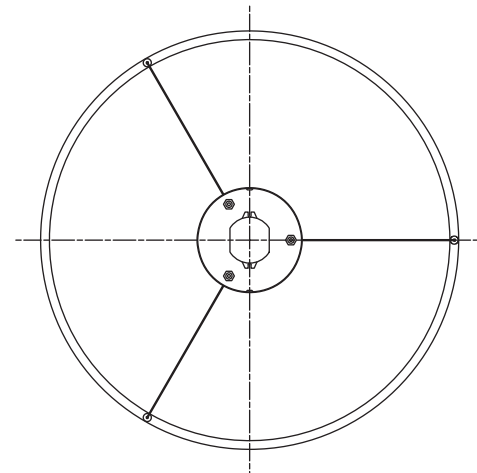
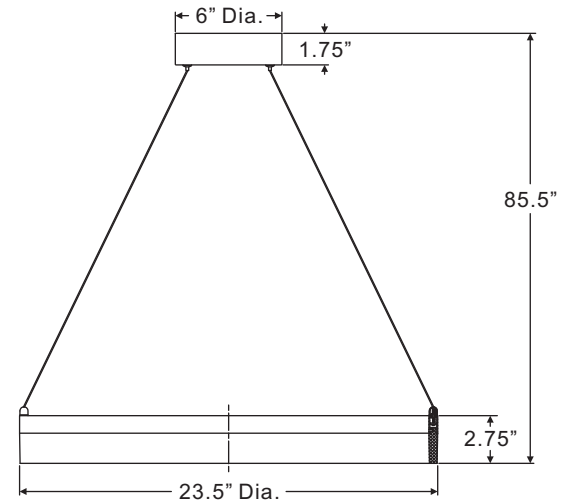
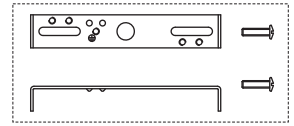


Figure 5

PCOH2824OI

FINISH: OIL RUBBED BRONZE



NOTE: ALL DIMENSIONS ARE ROUNDED UP TO THE NEAREST 1/4"