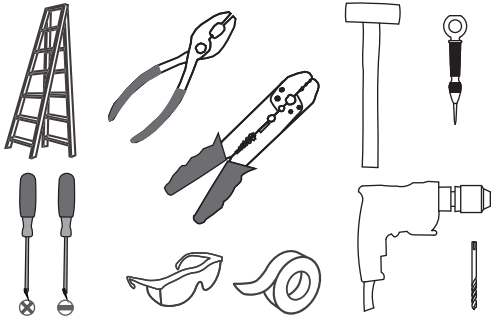
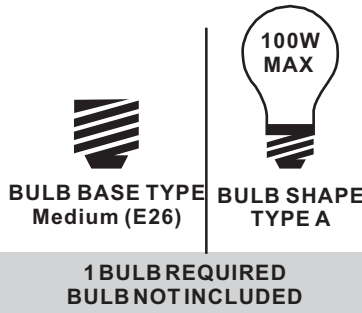


Tools Required



Light Source



Warnings and Cautions

Turn off the electricity at the circuit breaker before installation. Consult a licensed electrician if in doubt about installation.



Turn off power to the fixture and allow the bulbs to cool before replacing.

Package Contents

Preparation: Identify and inspect all parts before beginning the installation.

Missing or damaged parts? Contact your original place of purchase.

PARTS BAG

-  A Mounting Screw x 3
-  B Wire Connector x 3

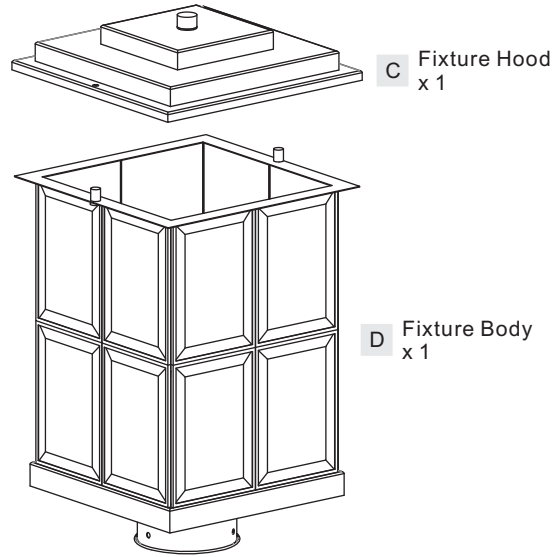
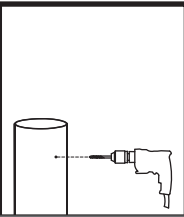
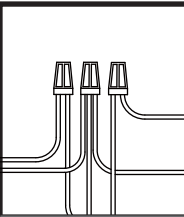
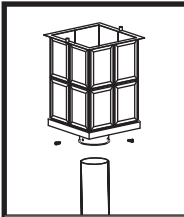
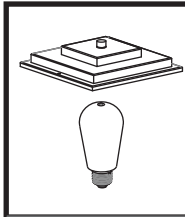


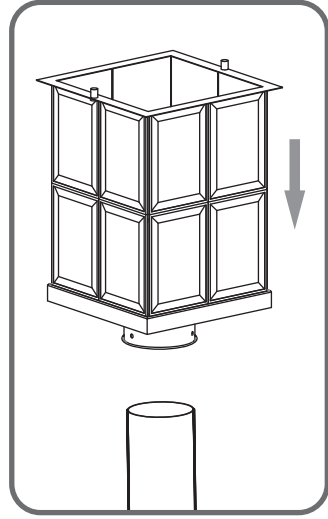
Table of Contents

Drill Holes	Wiring	Fixture Body	Bulb & Fixture Hood
			
STEP 1	STEP 2	STEP 3	STEP 4

STEP 1

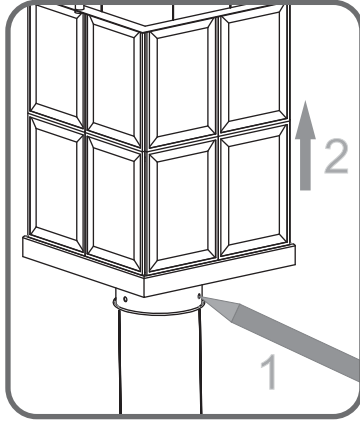
1

Step 1
Place Post Fitter to Post

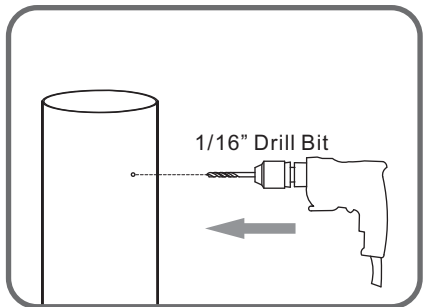
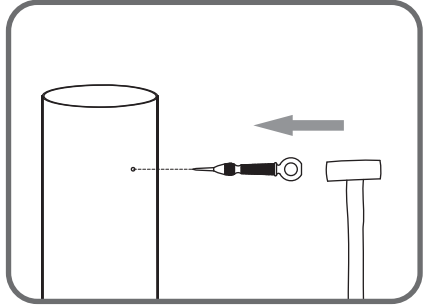


2

Step 2-3
Mark Mounting Holes Location on Post



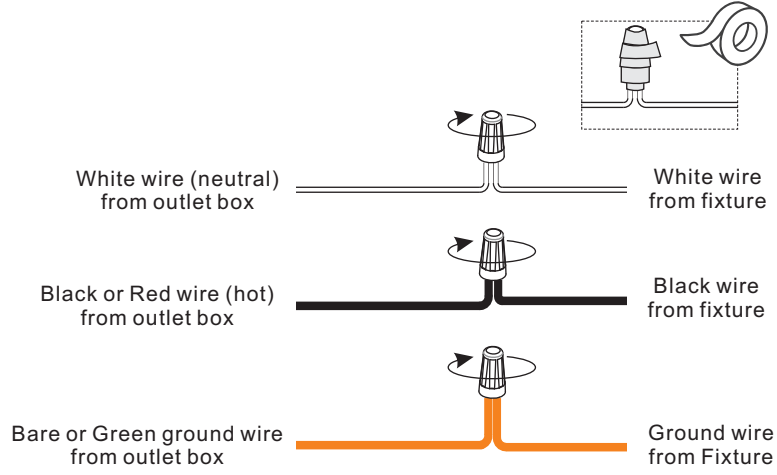
3



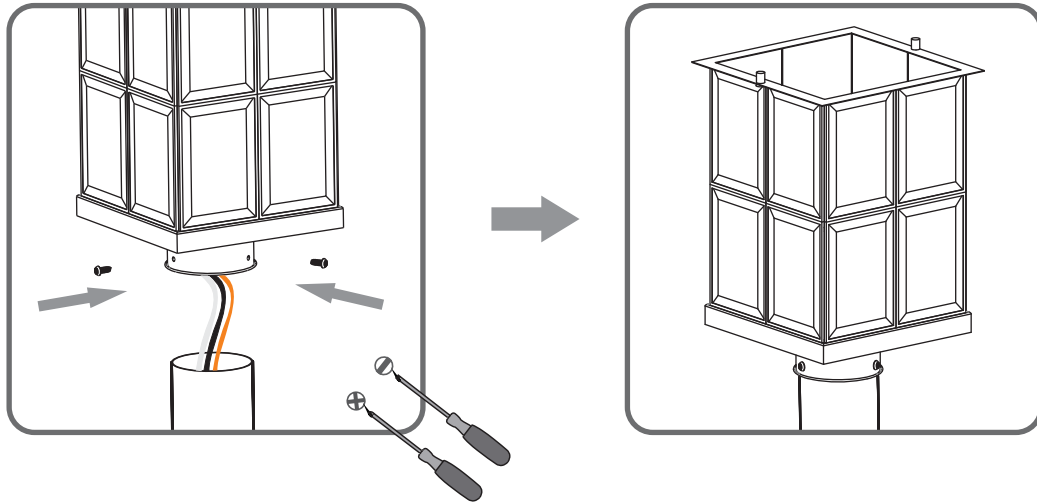
Step 4
Drill Holes

4

STEP 2



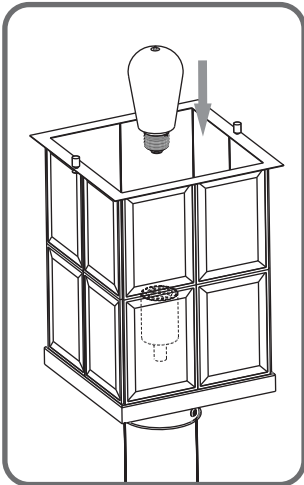
STEP 3



STEP 4

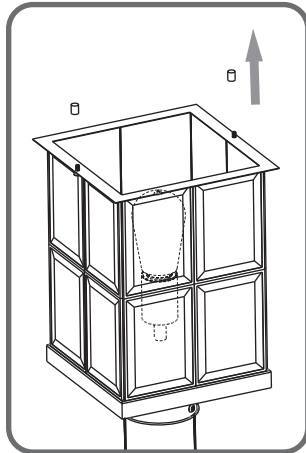
1

Install bulb



2

Remove lock balls



3

Install fixture hood

