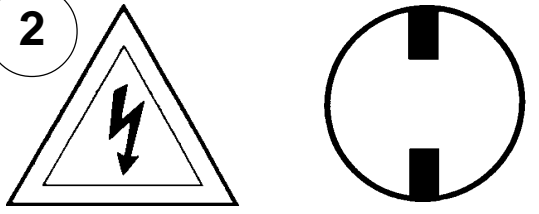


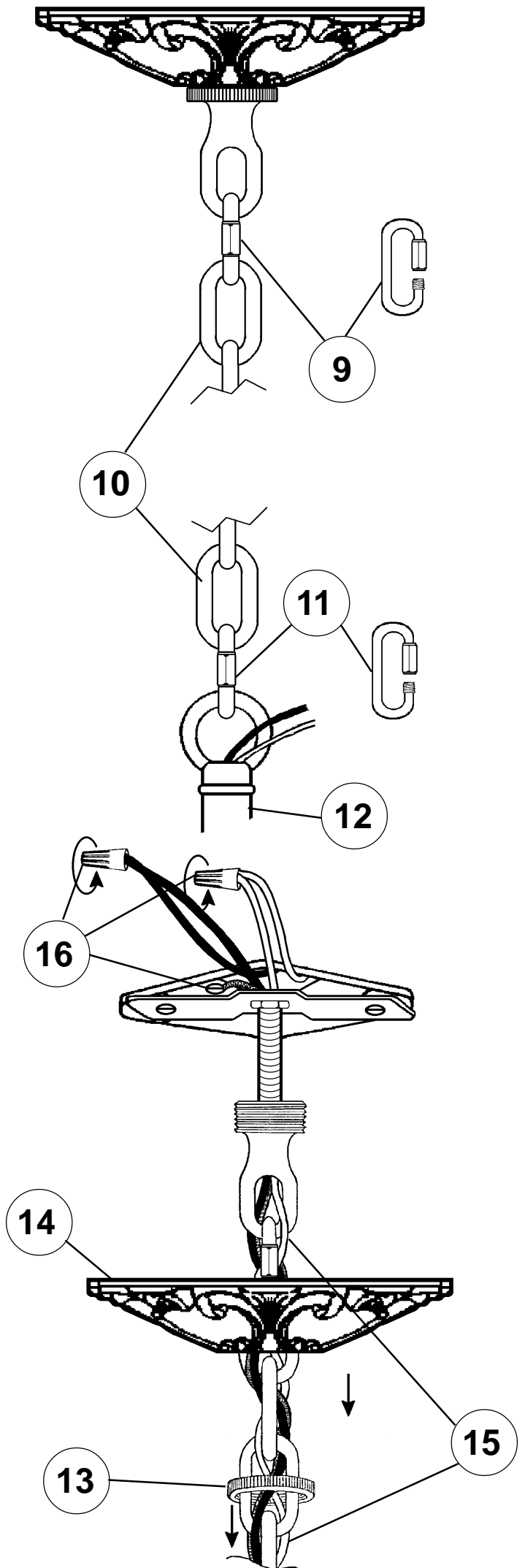
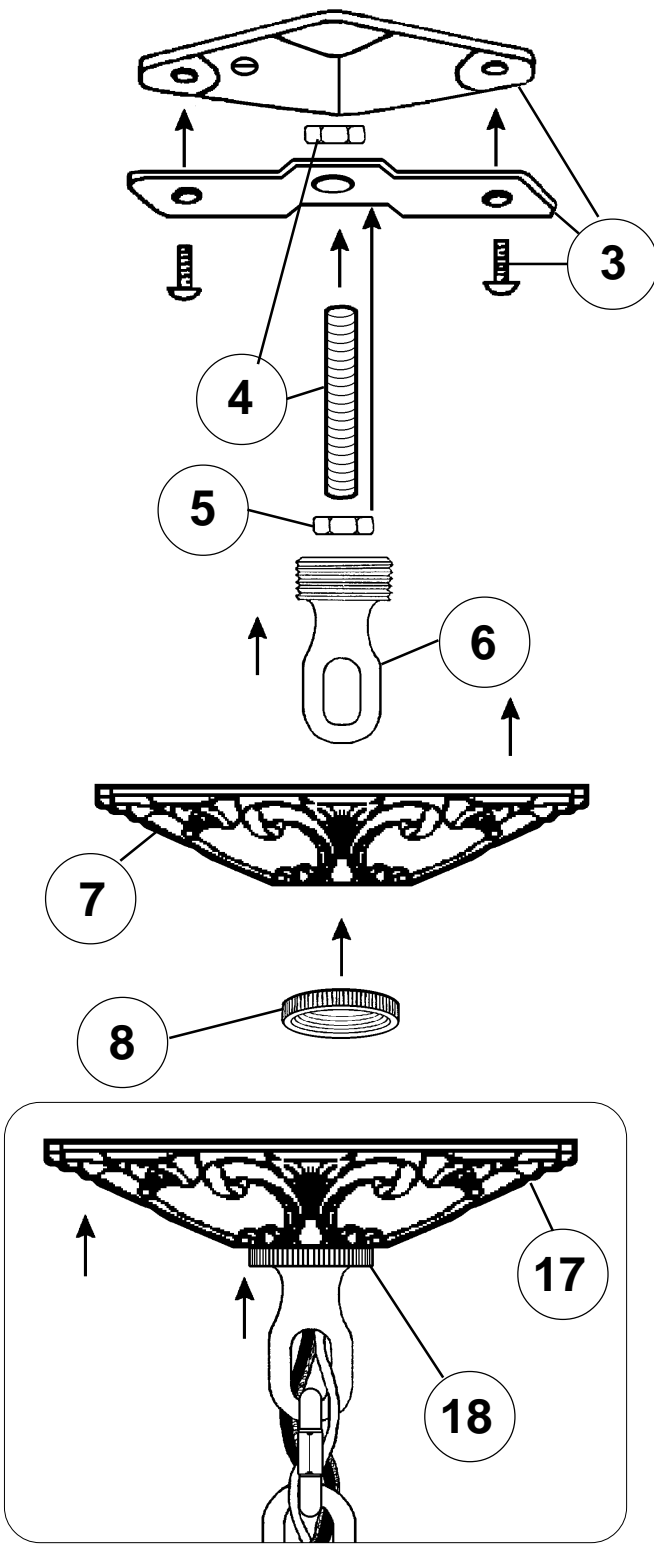
Instructions for electrician  
STEPS 2 - 18

**WARNING:**

2 

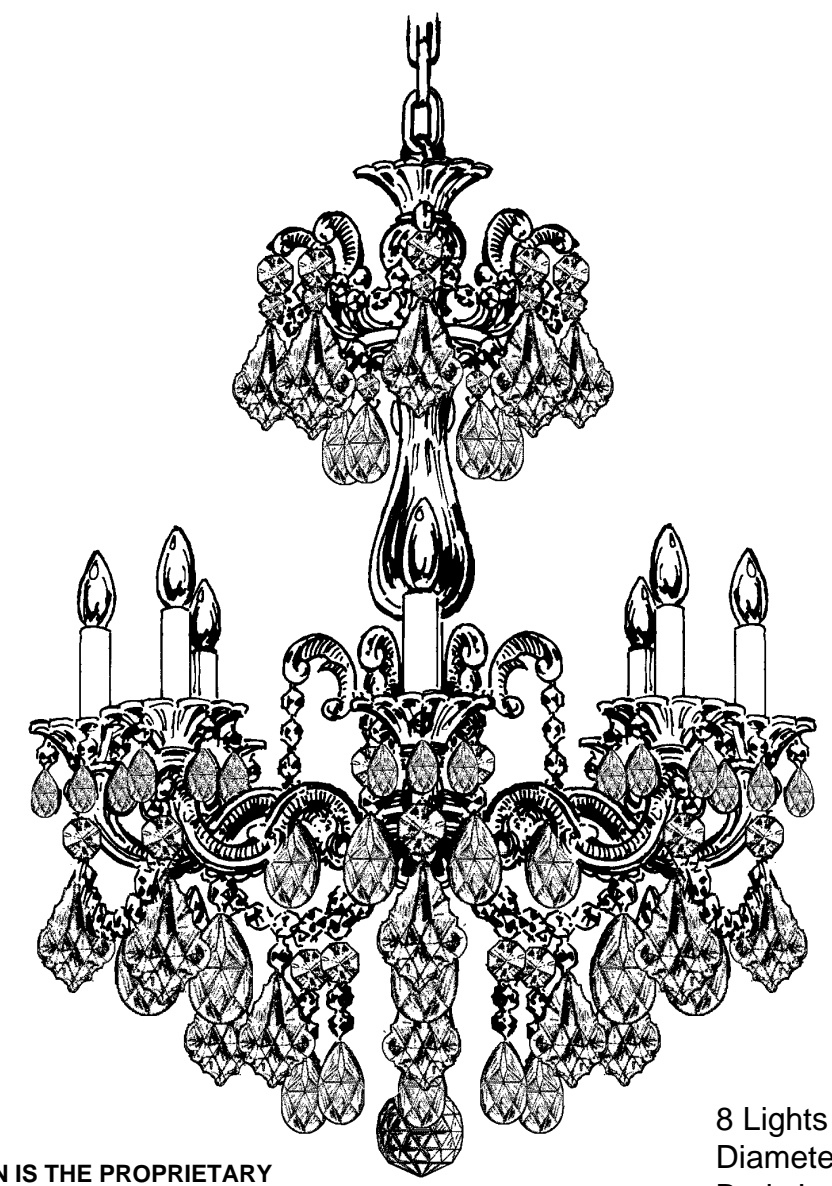
Electrical Danger Turn Power Off

All electrical components must be installed by a licensed electrician in accordance with the National Electric Code and the appropriate local electrical codes.



CHANDELIER 5007-\_\_\_ \_\_A TRIM DIAGRAM

(Finish Option)



8 Lights  
Diameter: 25"  
Body Length: 33-1/2"  
Hanging Weight: 32 lbs.

THIS DESIGN IS THE PROPRIETARY TRADE DRESS/TRADEMARK OF SCHONBEK WORLDWIDE LIGHTING INC.

**SCHONBEK**<sup>®</sup>

See diagram on back page  
Follow steps in exact order  
Save this trim diagram for future reference


**IMPORTANT**

1 Person who opens carton should record the following information for future service.

CODE # \_\_\_\_\_ Four-digit number on outside of carton.  
PACKER # \_\_\_\_\_ See crystal package label.  
ORDER # \_\_\_\_\_ See crystal package label.

SCHONBEK IS A WORLD LEADER IN CHANDELIER DESIGN. PATENTS INCLUDE:  
#D292,620, #D335,362, #D335,546, #D335,716, #D335,720, #D336,537, #D338,082, #D389,264,  
#D338,278, #D339,879, #D345,815, #D373,441, #D374,102, #D374,103, #D374,498, #D382,077,  
#D393,325, #D397,495, #D397,494, #D403,101, #D435,686, #D454,973, #D454,974, #D455,224,  
#D456,940, #D463,602S, #D463,603S, #D464,769S, #D468,480, #2,651,806, #5,104,082, #5,109,325,  
#5,116,009, #5,144,541, #5,205,644, #5,222,805, #5,241,460, #5,255,173, #5,258,900, #5,285,364,  
#5,404,285, #5,460,269, #5,567,046, #5,567,468, #5,573,330, #5,577,838, #5,588,744, #5,873,652,  
#5,906,430, #5,921,668 & #6,241,370B1

**Instructions for crystal trimming**  
**STEPS 19 - 31**

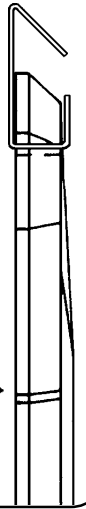
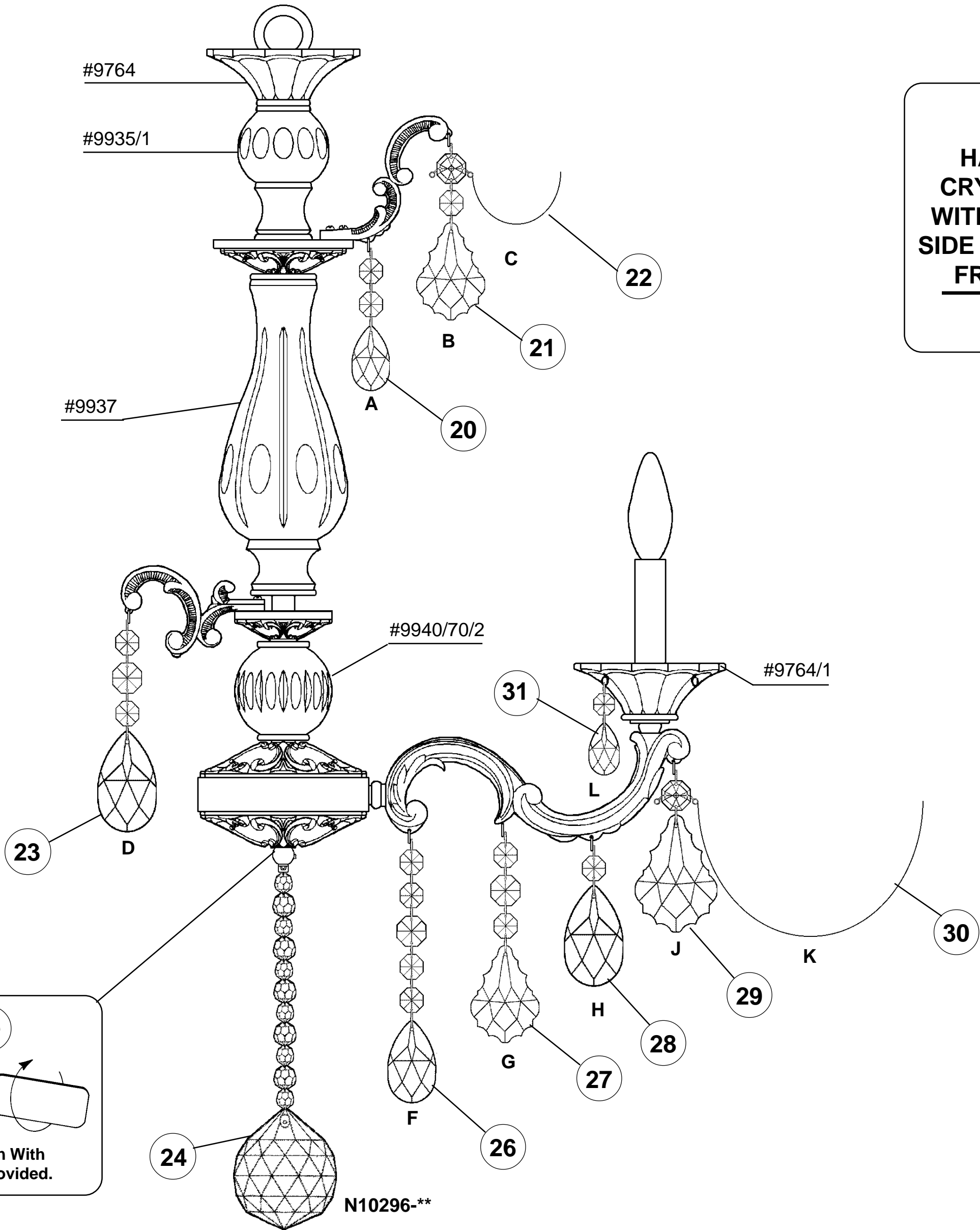


**19**

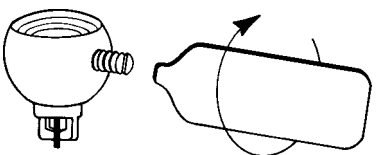
You will need 8 - C10  
 25 Watts Recommended  
 60 Watts Max

**Install bulbs and be  
 sure to test fixture  
 BEFORE trimming.**

**HANG  
 CRYSTAL  
 WITH FLAT  
 SIDE FACING  
 FRONT**

**25**



**Tighten With  
 Tool Provided.**

N10296-\*\*

