

ASSEMBLY INSTRUCTIONS

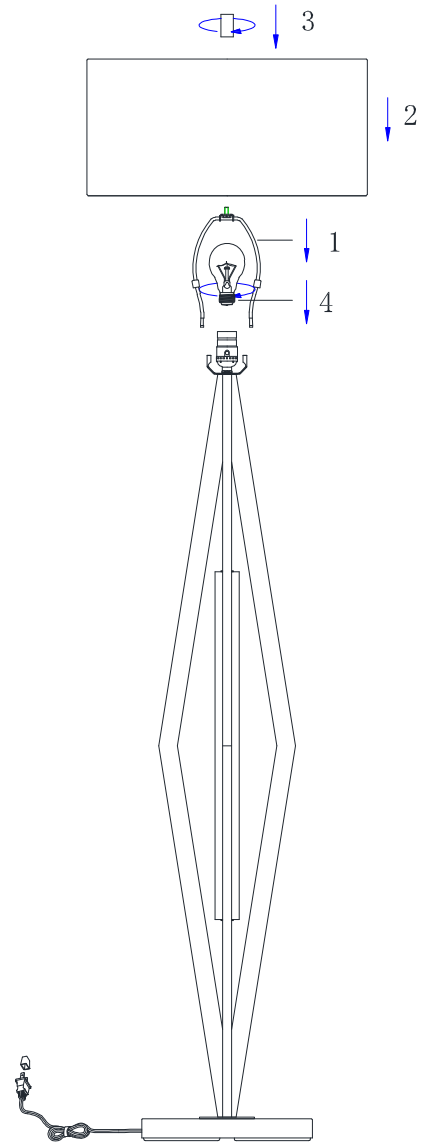
ITEM NO: BO-2867FL

CAREFULLY UNPACK AND PLACE ALL PARTS
ON A SMOOTH SURFACE.

1. INSERT HARP (1) TO THE BRACKET OF THE SOCKET.
2. PUT SHADE (2) ON HARP (1) AND TIGHTEN BY FINIAL (3).
3. INSTALL RECOMMENDED BULB (NOT INCLUDED IN THIS PACKING) (4).

INSERT PLUG INTO AN OUTLET AND ENJOY YOUR LAMP!!

**Use 3-WAY Max 150W type A
bulb (bulb not included)**



THIS PORTABLE LAMP HAS A POLARIZED PLUG (ONE BLADE IS WIDER THAN THE OTHER) AS A SAFETY FEATURE TO REDUCE THE RISK OF ELECTRIC SHOCK. THIS PLUG WILL FIT IN A POLARIZED OUTLET ONLY ONE WAY. IF IT DOES NOT FIT FULLY IN THE OUTLET, REVERSE THE PLUG. IF IT STILL DOES NOT FIT, CONTACT A QUALIFIED ELECTRICIAN. NEVER USE WITH AN EXTENSION CORD UNLESS THE PLUG CAN BE FULLY AND EASILY INSERTED. DO NOT ATTEMPT TO ALTER THE PLUG.

SAVE THESE INSTRUCTIONS FOR FUTURE REFERENCE.