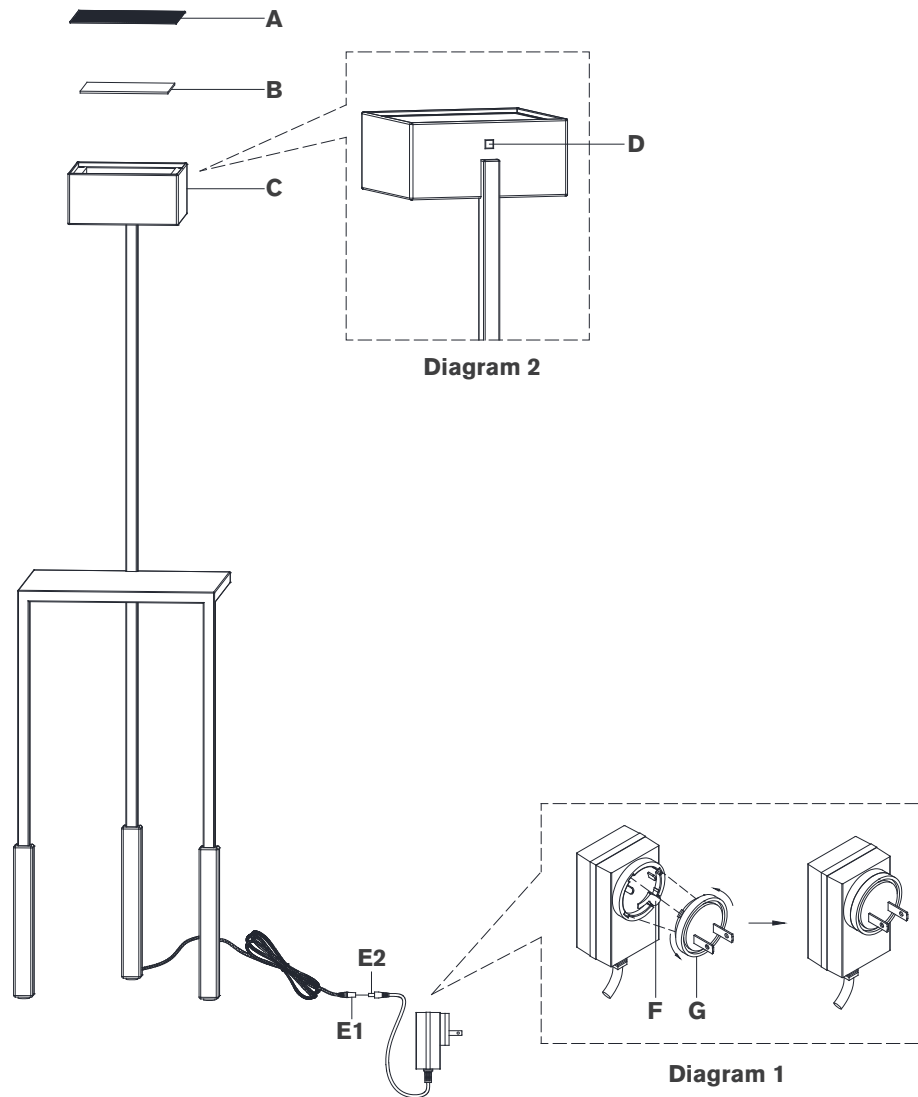


ASSEMBLY INSTRUCTIONS



Nimes Tray Table Floor Lamp

Item # KW1024

NOTICE:

This light fixture should be installed in accordance with all applicable, local installation codes, and by a person familiar with the construction and operation of it, as well as the hazards involved. Inspect item and contents carefully. If any damage or defect is found, do not install. Retain all packaging material until installation is complete and approved.

1. Carefully remove all parts from the box. Place on a clean, soft surface.
2. Place glass diffuser **(B)** and metal diffuser **(A)** on the top of light head **(C)**.
3. Connect quick connector **(E1 & E2)** together.
4. Install plug **(G)** to adapter **(F)** as shown in diagram 1.
5. Plug into electrical outlet and test the fixture.

Note: CE, SAA & UK plug adapters included.

Dimmer switch operation: Touch dimmer **(D)** to adjust between low, medium, high and off settings. See diagram 2.

Care Instructions: Clean only with a soft dry cloth or feather duster. Do not use abrasive or chemical agents.