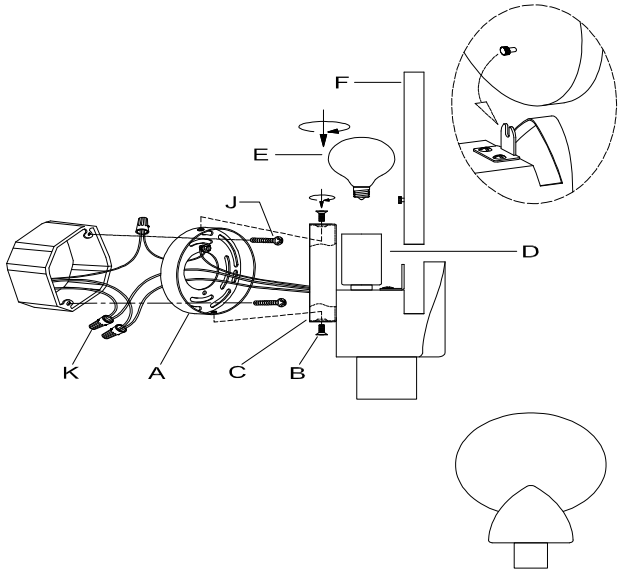


ASSEMBLY INSTRUCTIONS

ITEM DESCRIPTION:

ITEM NO.: DWC37	NAME: Edwin Sconce
MATERIAL TYPE: Marble	FINISH: Black
SOCKET TYPE: E12	SOCKET QTY: 1
BULB WATTAGE: 60 W/13W CFL/8W LED	
VOLTAGE: 110-120 V	ITEM NET WEIGHT: 5.2LBS



PARTS INCLUDED:

Mounting Plate (A)	Qty: 1 Pc	Socket (D)	Qty: 1 Pc
Set Screws (B)	Qty: 2 Pcs	Bulb (not included) (E)	Qty: 1 Pc
Lamp Body (C)	Qty: 1 Pc	Marble panel (F)	Qty: 1 Pc

HARDWARE INCLUDED:

Mounting Screws (J)	Qty: 2 Pcs
Plastic Wire Connector (K)	Qty: 3 Pcs

TOOLS NEEDED (Not Included):

1 Screwdriver

These instructions are provided for safety. It is very important that they are read carefully and completely before beginning installation of this

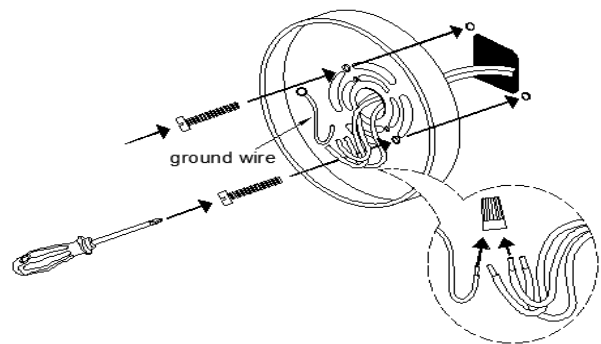
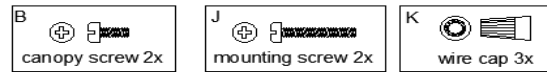
We strongly suggest that all hard-wired fixtures must be installed by a professional electrician.

For customer service questions call 1-800-338-2150



TO ASSEMBLE:

1. Shut off the main electrical supply from the main fuse box/circuit breaker.
2. Please be sure you have all parts indicated before you begin assembly.
3. Attach mounting plate to wall or junction box using mounting screws (J).
4. Connect ground wire from wall to ground wire from lamp using wire connector (K).
5. Attach house wire to lamp wires as shown. Fasten the pairs together with a wire caps. **DO NOT REVERSE THE HOT AND NEUTRAL CONNECTIONS OR SAFETY WILL BE COMPROMISED.**
6. Attach the lamp body(C) to mounting plate(A) by inserting set screws(B) through predrilled holes. Tighten using screwdriver.
7. Insert 1 type G 60w or/cfl 13w or/led 8w bulb (not included) (E) into the socket (D). Do not exceed specified wattage.
8. Put the Marble Panel (F)to the slot of the lamp body(C).
9. Restore power to the junction box and test fixture.



CARE INSTRUCTIONS:

Wipe with a soft, dry cloth. To protect finish, avoid the use of chemicals and household cleaners.

ARTERIOS