

ASSEMBLY INSTRUCTIONS

ITEM DESCRIPTION:

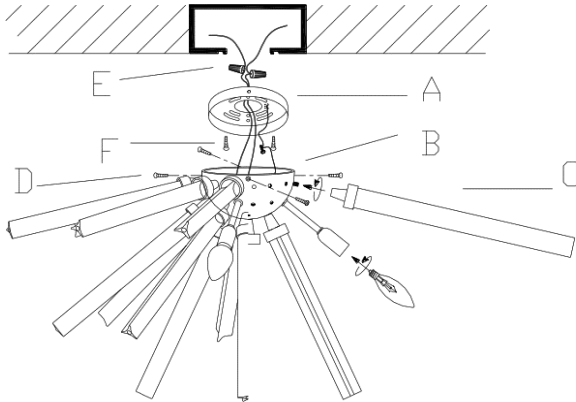
ITEM NO.: 49010 NAME: Hanley Flush Mount

MATERIAL TYPE: Glass FINISH: Clear

SOCKET TYPE: E12 SOCKET QTY: 4

BULB WATTAGE: 40 W/10W CFL/9W LED

VOLTAGE: 110-120 V ITEM NET WEIGHT: 15LBS



PARTS INCLUDED:

A) Mounting Plate	Qty: 1
B) Canopy	Qty: 1
C) Glass Rods	Qty: 25
D) Canopy Screw	Qty: 4

HARDWARE INCLUDED:

E Plastic Wire Connector	2 Pc	Allen Wrench	1 Pc
F Mounting Screws	2 Pcs		
Green Ground Screw	1 Pc		

TO INSTALL YOU WILL NEED:

- 2 people recommended
- Phillips Screwdriver

These instructions are provided for safety. It is very important that they are read carefully and completely before beginning installation.

We strongly suggest that all hard-wired fixtures must be installed by a professional electrician.

TO ASSEMBLE:

1. Remove all packing contents and parts from the carton(s) carefully. Ensure you have all parts indicated before you begin assembly.
2. Shut off the main electrical supply from the main fuse box/circuit breaker.
3. Gently pull wiring down from ceiling junction box and allow it to hang.
4. Remove the mounting plate (a) from the canopy (b) by loose canopy screws(d)
5. Screw the glass rod (c) onto the desired threading's pitches on the canopy(b). Repeat the same operation on the remaining 24pcs.
6. Carefully inspect the fixture wires. The neutral fixture wire has very fine ridges molded.
7. Into its plastic covering. The hot fixture wire has a smooth covering. The bare silver wire is the grounded wire.
8. Attach the ground wire from the fixture to the ground junction box wire from the outlet (usually green or bare wire). Fasten each together with a plastic wire connector (e) and wrap the connection with electrical tape. If your outlet box does not have a ground wire, insert the green ground screw into the mounting plate (a) facing down, and wrap the fixture's bare ground wire around the ground screw. It is imperative that the outlet box in your home be properly grounded.
9. Connect the neutral fixture wire to the neutral junction box wire (usually white). Fasten together with a wire connector (e) and wrap the connection with electrical tape be sure no strands are exposed.
10. Connect the hot fixture wire to the hot junction box wire (usually black). Fasten each together with a plastic wire connector (e) and wrap the connection with electrical tape. Be sure no wire strands are exposed. Do not reverse the hot and neutral connections or safety will be compromised.
11. Gently tuck the wire connections neatly into the ceiling junction box.
12. Attach the mounting plate (a) with nipple to the ceiling outlet box using the enclosed mounting screws (f) and tighten screws with a screwdriver.
13. Push canopy (b) up over the mounting plate (a) until it is flush with the ceiling and fix the canopy by using 4pcs canopy screws(d)
14. Insert 4 type b 40w bulb (not included) into the sockets(d). Do not exceed specified wattage. Restore power to junction box and test fixture.

CARE INSTRUCTIONS:

Wipe with a soft, dry cloth. To protect finish, avoid the use of chemicals and household cleaners.

For customer service questions call 1-800-338-2150

ARTERIO RS