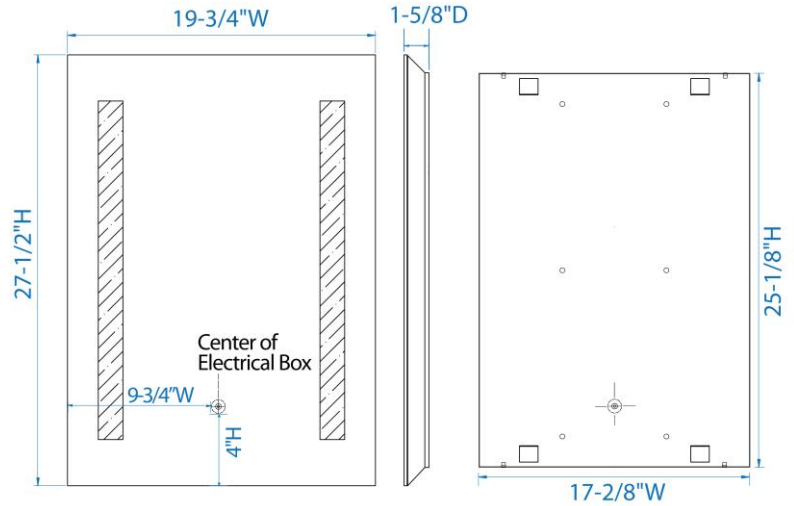




BLM 261 30 • HERMAN

ENVISAGE
FLUORESCENT BACK-LIT MIRRORS

Type	
Project	
Catalog No.	



DESCRIPTION

Rectangular Fluorescent Back Lit Mirror With Two Vertical Cutouts. ADA Compliant.

Finish: Mirror surface with white metal sub-assembly.

Diffuser: Frosted Glass.

Construction: Steel, Glass and Aluminum.

Lamp: (2) Fluorescent T5, 14W 3000K (Included)

Total Wattage: 28W

Dimensions: 27-1/2\"H x 19-3/4\"W x 1-5/8\"D

Weight: 27 Pounds (12 kgs)

IP20 Rated.

MOUNTING:

Mounts over a standard J-box. Screws directly to drywall.

WIRING:

Connections accomplished in existing J-Box.

BALLAST SPECIFICATIONS

Model: Fulham NPY-120-214-LT5

- Input Voltage: 110 - 120V AC 50/60Hz
- Maximum case temperature: 167°F (75°C)
- Starting type: Rapid start
- Minimum starting temperature: 14°F (-10°C)
- Minimum operating temperature: 32°F (0°C)
- Transient protection: C42.41 Class A 7 strikes
- Sound rating: "A"
- End of life (EOL) Protection
- Power Factor: >.5
- Energy Star
- Safety Listing: UL/CUL Class "P"
- EMI: FCC Part 18-B