

TROPIC AIR

901952FMW-NWD

TROPIC AIR 52" FAN

DETAILS	
FAN FINISH:	Matte White
BLADE COUNT:	5
SLOPE DEGREE:	33

DIMENSIONS	
WIDTH:	52"
HEIGHT:	17"

LIGHT SOURCE	
VOLTAGE:	120v

MOUNTING	
CANOPY:	6" Dia.
LEAD WIRE:	1 X 76"

SHIPPING	
CARTON LENGTH:	13.9
CARTON WIDTH:	13.8
CARTON HEIGHT:	12.1



Tropic Air offers a bold, streamlined silhouette with a coastal edge. Available in Metallic Matte Bronze, Graphite, Matte White or Matte Black, its unique design has powerful DC motor technology to deliver excellent energy efficiency. Tropic Air is so versatile; it can be used for both indoor and outdoor spaces. Blades are included with every fan.

PRODUCT DETAILS:

- This item includes a 6" down rod. Other various lengths of down rods are available and sold separately to customize the installation height.
- Suitable for use in wet (interior direct splash and outdoor direct rain or sprinkler) locations as defined by NEC and CEC. Meets United States UL Underwriters Laboratories.
- This item may be hung on a sloped ceiling
- For more information on how to control your ceiling fan via the Hinkley Home Automation App, [click here](#).
- Pull chain manual reverse, accessory controls available
- Add an optional light kit to customize the functionality of the fan
- Motor carries a lifetime warranty
- Blades, controls, switches, capacitors and hardware carry a 1-year warranty

HINKLEY

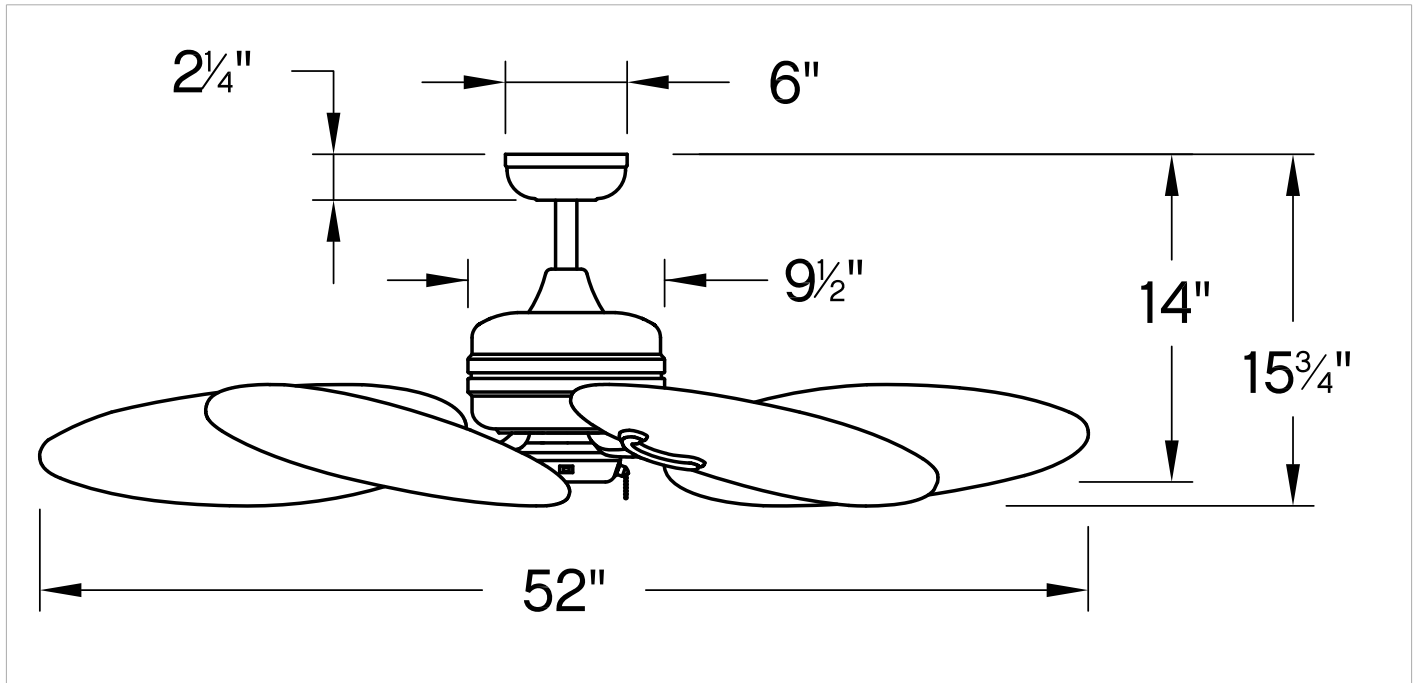
HINKLEY
33000 Pin Oak Parkway
Avon Lake, OH 44012

PHONE: (440) 653-5500
Toll Free: 1 (800) 446-5539

hinkley.com

TROPIC AIR 52" FAN

901952FMW-NWD



PERFORMANCE SPECIFICATIONS	STANDARD	
	HIGH SPEED	AVERAGE SPEED
Airflow	6345	4523
EnergyUse	29.9	19.5
EnergyCost	8	5
Efficiency	212	232
AMPS	0.39	0.24
RPMS	141	97

AVERAGE PERFORMANCE AND ENERGY INFORMATION

ENERGYGUIDE

Estimated Yearly Energy Cost

\$5

Cost Range of Similar Models (19" – 84")

\$3 | | | \$34

- Based on 12 cents per kWh and 6.4 hours use per day
- Your cost depends on rates and use
- Energy Use: 19.5 Watts

Airflow

4,523

Cubic Feet Per Minute

- The higher the airflow, the more air the fan will move
- Airflow Efficiency: 232 Cubic Feet Per Minute Per Watt

All estimates based on typical use, excluding lights ftc.gov/energy

Airflow Shown is a Weighted Average of High and Low Cubic Feet per Minute Based on Downrod

HINKLEY

HINKLEY
33000 Pin Oak Parkway
Avon Lake, OH 44012

PHONE: (440) 653-5500
Toll Free: 1 (800) 446-5539

hinkley.com