

INSTALLATION INSTRUCTION

Brick Light - Endurance

WL-5105, WL-5205

WAC LIGHTING

Responsible Lighting®

WARNING

IMPORTANT: NEVER attempt to do any work without shutting off the electricity.

1. Read all instructions before installing.
2. System is intended for installation by a qualified electrician in accordance with the National Electrical Code and local regulations.
3. Place the wall switch in the "OFF" position.
4. Go to the main fuse box, or circuit breaker. Unscrew the fuse(s) or switch "OFF" the circuit breaker switch(es) that control the power to the space that you are working on.

CAUTION

- All parts must be used as indicated in these instructions. Do not substitute any parts, leave parts out, or use any parts that are worn out or broken. Failure to follow this instruction may invalidate the ETL/cETL listing of this fixture.

AVERTISSEMENT

IMPORTANT : Coupez l'électricité avant TOUTE manipulation.

- Lisez toutes les instructions avant d'installer.
- Système est destiné à être installé par un électricien qualifié en conformité avec le code national de l'électricité et les règlements locaux.
- Placez l'interrupteur mural en position d'arrêt (« OFF »).
- Toujours mettre le fusible ou le disjoncteur en position arrêt dans la pièce ou des travaux électriques sont prévus

MISE EN GARDE

- Toutes les pièces doivent être utilisées tel qu'il est indiqué dans ces instructions. Ne remplacez pas les pièces, n'en laissez pas de côté et ne les utilisez pas si elles sont usées ou brisées. Le non-respect de ces instructions peut annuler l'homologation ETL/cETL du luminaire.

ADVERTENCIA

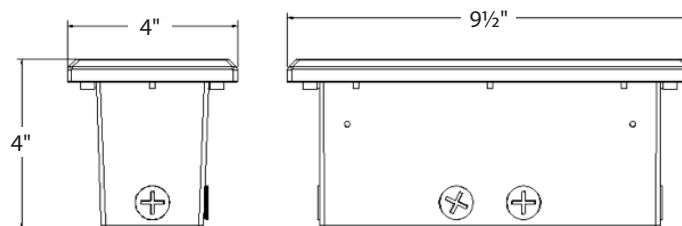
IMPORTANTE: NUNCA intente hacer trabajos sin desconectar el suministro eléctrico.

- Lea y comprenda todas las instrucciones e ilustraciones por completo antes de proceder con el ensamblaje e instalación de esta lámpara.
- Sistema está diseñado para ser instalado por un electricista calificado, de acuerdo con el código eléctrico nacional y las normas locales.
- Coloque el interruptor de la pared en la posición "OFF" (APAGADO).
- Diríjase a la caja de fusibles o a la caja del interruptor de circuito principal en su hogar. Coloque el interruptor de alimentación principal en la posición "OFF" (APAGADO).

PRECAUCIÓN

- Todas las piezas deben usarse como lo indican estas instrucciones. No reemplace las piezas, no omita piezas durante la instalación ni utilice piezas gastadas o rotas. El incumplimiento de esta indicación podría invalidar la calificación ETL/cETL esta lámpara.

OVERALL DIMENSIONS:



HARDWARE

A1



Bracket Mounting Screw
Qty: 4 pcs
7MPF040502
5/32"-32

B1



L-Bracket
Qty: 4 pcs
7MBC251901

B2



Masonry Bracket
Qty: 4 pcs
7MBC104502

C1



Wire Nuts
Qty: 3 pcs + 1 Extra
7EAC112201
P3

waclighting.com
Phone (800) 526.2588
Fax (800) 526.2585

Headquarters/Eastern Distribution Center
44 Harbor Park Drive
Port Washington, NY 11050

Central Distribution Center
1600 Distribution Ct
Lithia Springs, GA 30122

Western Distribution Center
1750 Archibald Avenue
Ontario, CA 91760



INSTALLATION INSTRUCTION

Brick Light - Endurance

WL-5105, WL-5205

WAC LIGHTING

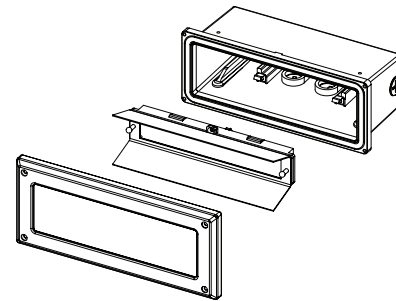
Responsible Lighting®

INSTALLATION AND WIRING

BRICK WALL (While the wall is being constructed)

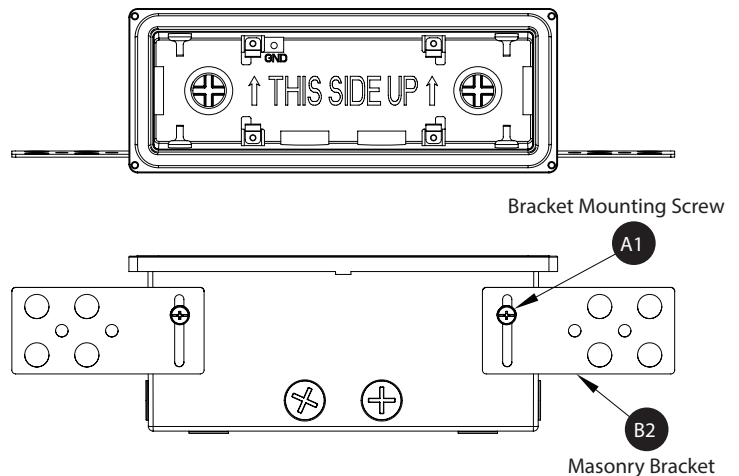
STEP 1:

- Remove the cover plate and light engine from the brick light housing.
- Store in a clean, safe location.



STEP 2:

- Note the proper orientation of the brick light denoted inside the housing and attach masonry brackets (B2) to the bottom of the housing using the provided mounting screws (A1).

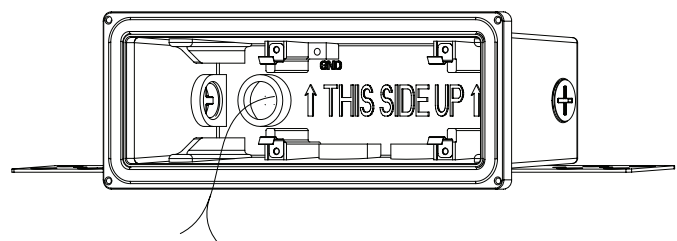


STEP 3:

- Determine the hole in the housing desired for wiring and unscrew the 1/2 NPT plug at that location.
- Tighten remaining conduit caps with thread seal tape (by others)

STEP 4:

- Lead power supply wire through the chosen hole and secure cable/conduit using appropriate connector.



waclighting.com
Phone (800) 526.2588
Fax (800) 526.2585

Headquarters/Eastern Distribution Center
44 Harbor Park Drive
Port Washington, NY 11050

Central Distribution Center
1600 Distribution Ct
Lithia Springs, GA 30122

Western Distribution Center
1750 Archibald Avenue
Ontario, CA 91760



INSTALLATION INSTRUCTION

Brick Light - Endurance

WL-5105, WL-5205

WAC LIGHTING

Responsible Lighting®

STEP 5:

- Embed attached masonry brackets into mortar and mortar brick light in place of a standard brick.

STEP 6:

- Continue building wall, attaching the upper masonry brackets before installing the layer above the brick light.
- **NOTE:** Minimize force applied to prevent damaging of housing and cracking of mortar.

STEP 7:

- Allow the mortar in the wall to cure.

STEP 8:

- Make sure there is no dust or debris within the housing or on the surface of the gasket.

STEP 9:

- Connect the wires of the light engine to the power supply wires using provided wire nuts (C1):
- Black to Black, White to White, and Ground (located in housing) to Ground

Wiring



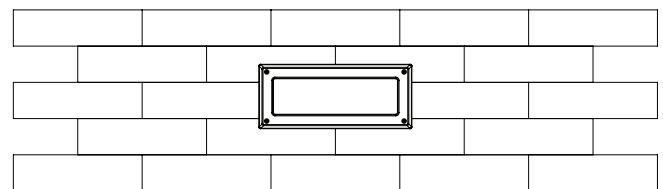
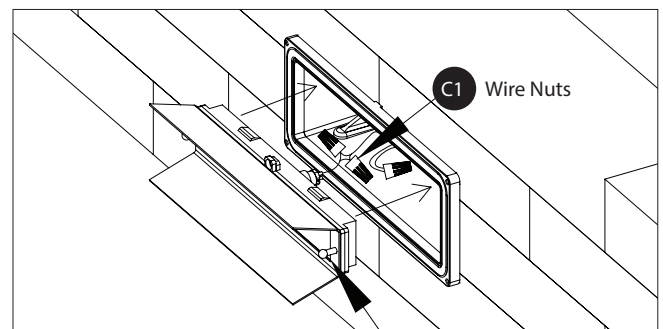
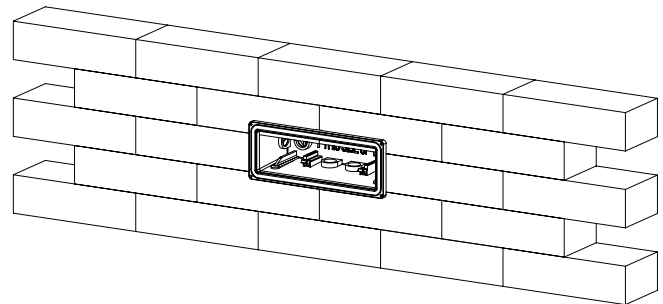
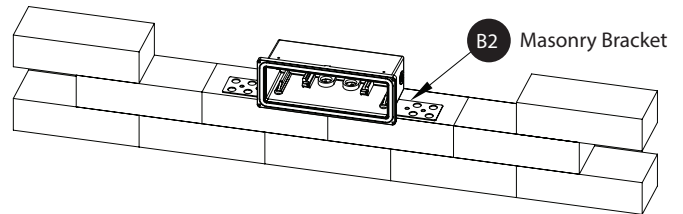
Fixture Wires	House Wires
Black or Smooth	Black (Hot)
White or Ribbed	White (Neutral)
Bare wire (Ground)	Green or Bare Copper (Ground)

STEP 10:

- Using two handles attached on the light engine, snap the light engine into the clips located within the housing.

STEP 11:

- Place the cover plate over the housing.
- Align and tighten firmly for water tight seal.



waclighting.com
Phone (800) 526.2588
Fax (800) 526.2585

Headquarters/Eastern Distribution Center
44 Harbor Park Drive
Port Washington, NY 11050

Central Distribution Center
1600 Distribution Ct
Lithia Springs, GA 30122

Western Distribution Center
1750 Archibald Avenue
Ontario, CA 91760



INSTALLATION INSTRUCTION

Brick Light - Endurance

WL-5105, WL-5205

WAC LIGHTING

Responsible Lighting®

WOOD WALL/STAIR (NOTE: Access to back required)

STEP 1:

- Remove the cover plate and light engine from the brick light housing.

STEP 2:

- Note the proper orientation of the brick light denoted inside the housing.

STEP 3:

- Cut an opening $3\frac{3}{4}'' \times 8''$ at the desired location and insert brick light housing until the base of the lip is flush with the mounting surface.

STEP 4:

- Determine the hole in the housing desired for wiring and unscrew the $\frac{1}{2}$ NPT plug at that location.
- Tighten remaining conduit caps with thread seal tape (by others).

STEP 5:

- Lead power supply wire through the chosen hole and secure cable/conduit using appropriate connector.

STEP 6:

- From the back of the housing, attach provided L-shaped brackets (B1) using provided mounting screws (A1) to clamp the wooden surface.

STEP 7:

- For additional mounting security, use wood screws (by others) to fasten L-shaped brackets to the structure.

STEP 8:

- Make sure there is no dust or debris within the housing or on the surface of the gasket.

STEP 9:

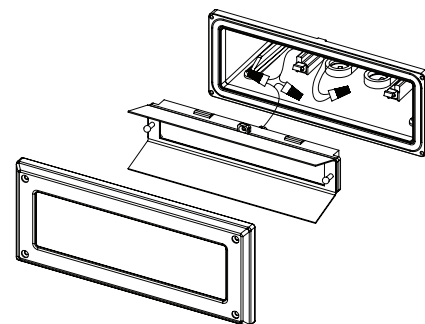
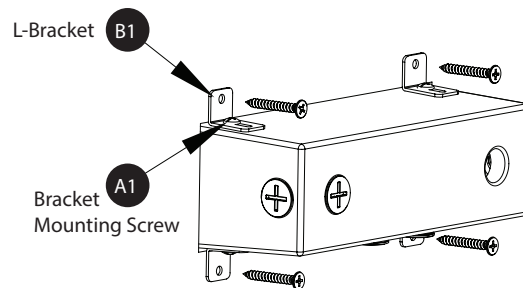
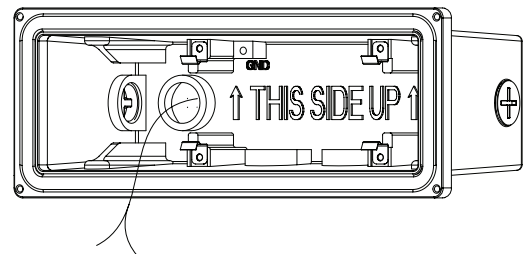
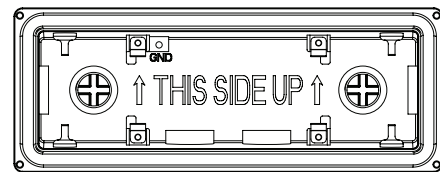
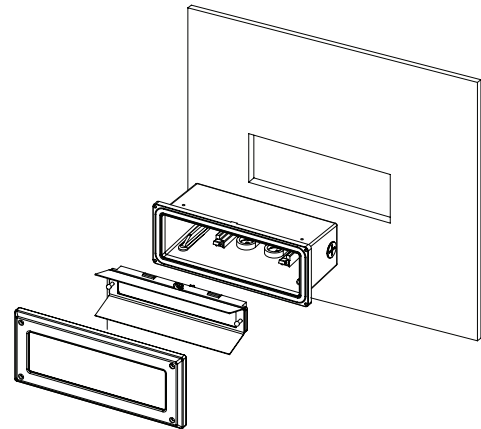
- Connect the wires of the light engine to the power supply wires using provided wire nuts (C1):
- Black to Black, White to White, and Ground (located in housing) to Ground.

STEP 10:

- Using the two handles attached on the light engine, snap the light engine into the clips located within the housing.

STEP 11:

- Place the cover plate over the housing.
- Align and tighten firmly for water tight seal.



waclighting.com
Phone (800) 526.2588
Fax (800) 526.2585

Headquarters/Eastern Distribution Center
44 Harbor Park Drive
Port Washington, NY 11050

Central Distribution Center
1600 Distribution Ct
Lithia Springs, GA 30122

Western Distribution Center
1750 Archibald Avenue
Ontario, CA 91760

