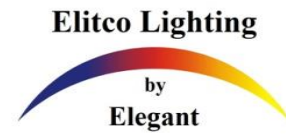
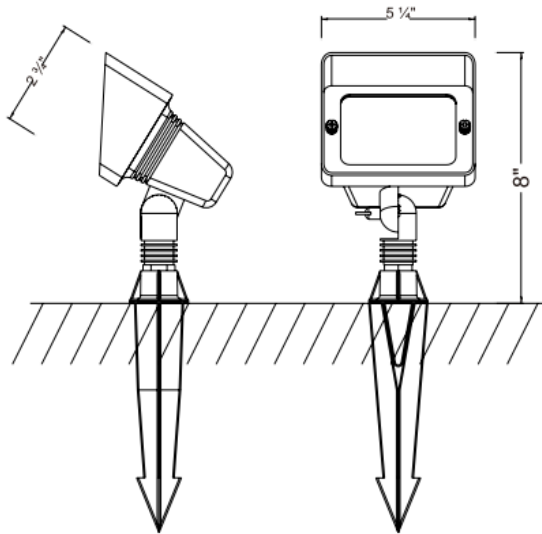


**C048**  
**OUTDOOR LANDSCAPE LIGHTING**  
**FLOOD LIGHT**



**PRODUCT DESCRIPTION**



Die Casting brass floodlight includes spike and 3' of wire.

**SPECIFICATIONS:**

**Material: Die-Casting Brass**

**Lead wire: 3' SPT-1W 18A**

**Glass or Lens: Square Frosted Glass**

**Light source(not included): G4 Bulb**

**Maximum Lamp Rating: 35W**

**FINISHES: Antique Brass**

**INSTALLATION:**

**Hammer the spike into ground. Clear away area in ground at wire way slot in top of spike. Lay 12V cable into wire way slot and screw luminaire into spike. Loose the Hood screw and Pull the Hood out. Install the G4 bulb into the socket. And then install the hood back to the body. Loose the knob to get desired angle, then tighten the knob.**

**DIMENSIONS: W5.25" X H8"**

**LABELS:N/A**