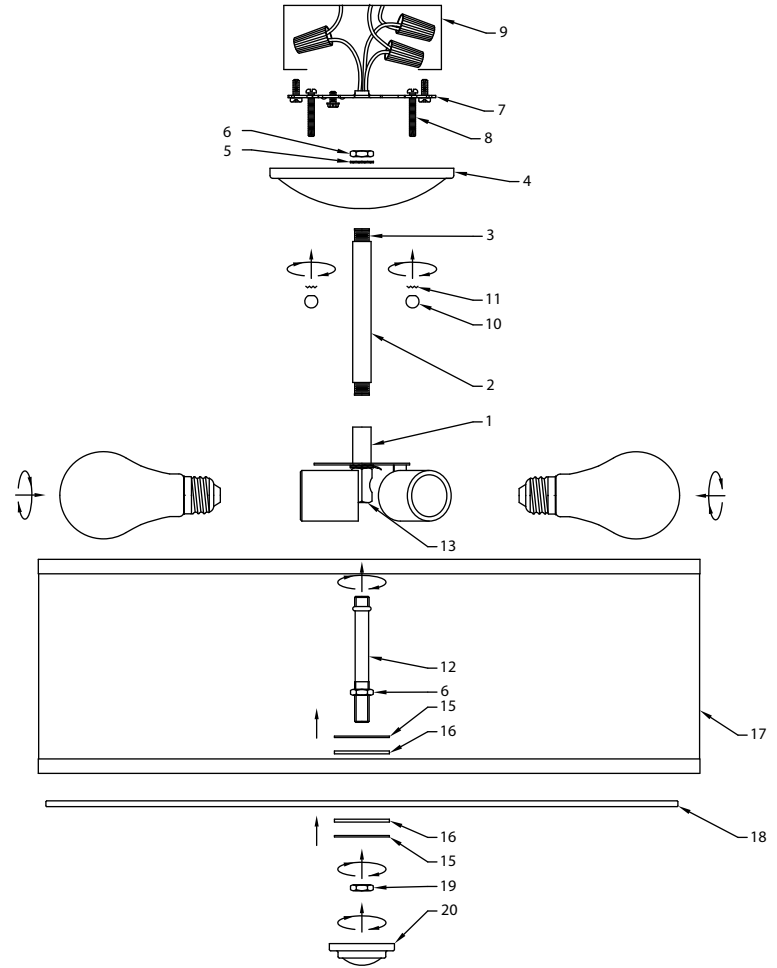
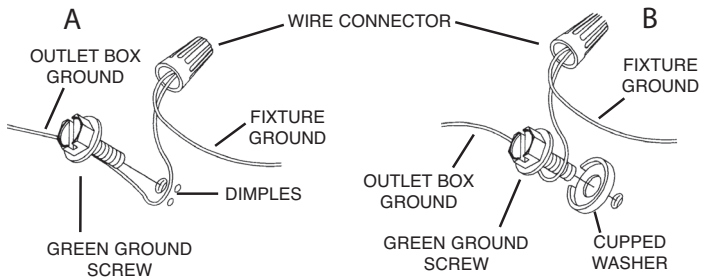


**CAUTION – RISK OF SHOCK –**

**Disconnect Power at the main circuit breaker panel or main fusebox before starting and during the installation.**

- 1) Pass fixture wire from coupling[1] on top of fixture through end of stem[2]. (Be sure the stem has a short threaded tube[3] on each end.) Thread the stem into the coupling.
- 2) Pass top of stem through hole in canopy[4].
- 3) Pass fixture wire through a lockwasher[5] followed by a hexnut[6]. Slip the lockwasher onto threaded pipe protruding from inside canopy. Thread hexnut onto end of threaded pipe. Tighten to secure.
- 4) Find the appropriate threaded holes on mounting strap[7]. Assemble mounting screws[8] into threaded holes.
- 5) Attach mounting strap to outlet box[9]. Mounting strap can be adjusted to suit position of fixture.
- 6) Grounding instructions: (See Illus. A or B).
  - A) On fixtures where mounting strap is provided with a hole and two raised dimples. Wrap ground wire from outlet box around green ground screw, and thread into hole.
  - B) On fixtures where a cupped washer is provided. Attach ground wire from outlet box under cupped washer and green ground screw, and thread into mounting strap.

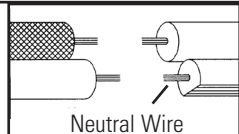
If fixture is provided with ground wire. Connect fixture ground wire to outlet box ground wire with wire connector. (Not provided.) After following the above steps. Never connect ground wire to black or white power supply wires.



- 7) Make wire connections. Reference chart below for correct connections and wire accordingly.

Connect Black or Red Supply Wire to:	Connect White Supply Wire to:
Black	White
*Parallel cord (round & smooth)	*Parallel cord (square & ridged)
Clear, Brown, Gold or Black without tracer	Clear, Brown, Gold or Black with tracer
Insulated wire (other than green) with copper conductor	Insulated wire (other than green) with silver conductor

\*Note: When parallel wires (SPT I & SPT II) are used. The neutral wire is square shaped or ridged and the other wire will be round in shape or smooth (see illus.)



- 8) Push fixture to ceiling, carefully passing mounting screws through holes in canopy. NOTE: Be certain wires do not get pinched between canopy and ceiling.
- 9) Use lock-up knobs[10] and lockwashers[11] to secure canopy. Tighten to secure.
- 10) Insert recommended bulb(s) (not supplied).
- 11) Thread the short end of the threaded pipe[12] into the coupler[13].
- 12) Thread a hexnut[6] on the bottom threads of the pipe. (Leave about 3/4" threads exposed ).
- 13) Slip a steel washer[15] followed by a rubber washer[16] onto the threaded pipe.
- 14) Carefully rest the shade[17] onto the glass. Raise up to the fixture and slip the hole of the glass[18] over the threaded pipe. Rest the glass against the rubber washer.
- 15) Slip a rubber washer followed by a steel washer onto the threaded pipe.
- 16) Thread a hexnut[19] onto the threaded pipe to secure the glass. Do not over-tighten.
- 17) Thread the finial[20] onto the threaded pipe to cover the hexnut. Do not over-tighten.