



## **LED FIXTURE REFERENCE GUIDE**

- **INDOOR/OUTDOOR**
- **COMMERCIAL**
- **RESIDENTIAL**
- **UTILITY**

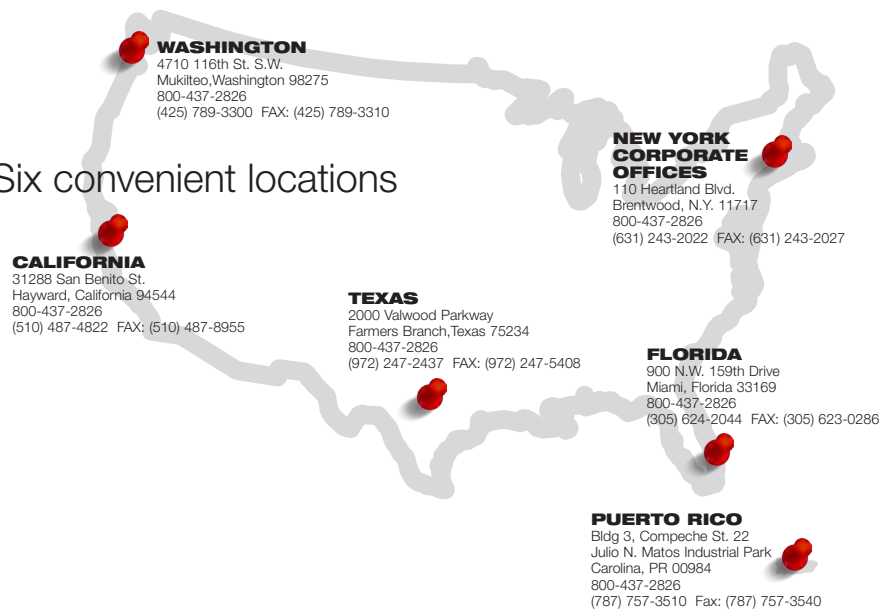
**JANUARY, 2019**

We are pleased to present the latest edition of our LED Fixture Reference Guide. Many new luminaires and accessories have been added and arranged to make finding the right product is easy.

## Brilliance

Satco is committed to providing unsurpassed quality, service and product assortment. Many of our product categories are supported by merchandising systems, displays and a selection of attention-getting point of purchase materials. These efforts, along with our strategic locations, make Satco the preferred choice in light sources, fixtures and electrical related products.

### Six convenient locations



## Contents

About Satco .....	2-5	LED Indoor/Outdoor Architectural Lighting.....	68-99
LED Indoor Lighting .....	6-20	LED Dual & Single Head Security Lights .....	69, 70
LED Flat Panel Fixtures.....	8-12	LED Flood Lights .....	71-73
LED Troffer Fixtures .....	13-15	LED Wall Mount Door/Corridor Fixtures.....	74, 75
LED Vapor Tight Surface Mount Fixtures.....	16	LED Wall Packs .....	76-91
LED Linear Hi-Bay Fixtures .....	17, 18	LED Canopy Fixtures .....	92-94
LED Circular Hi-Bay Fixtures.....	19, 20	LED Wall Mount Carport/Parking Area Fixtures .....	95
LED Flush Mount Fixtures.....	21-45	LED Vapor Proof Wall & Ceiling Fixtures .....	96-97
Blink™ Plus LED Surface Mount Fixtures .....	23-26	LED Bulkhead Fixtures .....	98
Blink Plus Profile Surface Mount Fixtures.....	27-29	LED Up/Down Outdoor Wall Fixture .....	99
Blink Plus LED 15" & 19" Fixtures and Suspension Kits.....	30, 31	LED Recessed Retrofits .....	100-124
Blink LED Round, Square Fixtures.....	32-38	LED Step Lights.....	102, 103
Blink "Eco" LED Fixtures .....	39	Freedom™ Architectural LED Downlights & Retrofits.....	104-109
Blink "Slim" LED Fixtures.....	40	4", 5" & 6" LED Recessed Downlight Retrofits.....	110, 111
Blink Accessory Slim 7" & 9" Pendant Kits.....	41	Value Series 5" & 6" LED Recessed Downlight Retrofits.....	112
Blink LED Rectangular Fixtures .....	42	Quick Trim™ 4", 5" & 6" LED Recessed Downlight Retrofits.....	113
Blink 7" & 9" Battery Backup Modules.....	43, 44	4", 5" & 6" Square Trim Recessed Downlight Retrofits.....	114, 115
Blink 13" Round Battery Backup Module.....	45	4", 5" & 6" LED Direct Wire Edge-Lit Downlights .....	116, 117
LED Indoor Utility Fixtures.....	46-67	4", 5" & 6" LED Direct Wire Downlights.....	118, 119
LED Ceiling Wraps .....	48	6" & 8" LED Commercial Recessed Downlights.....	120-123
LED Strip Fixtures .....	49	LED Ready Recessed Can Assemblies.....	124
LED Linkable Shop Light .....	50	LED Track Lighting.....	125-133
LED Glamour LED Flush, Linear Ceiling Fixtures.....	51, 52	LED Track Heads.....	126, 127
LED Glamour & Crispo LED Wall Sconces & Vanity Fixtures ...	53, 54	LED Track Kits & Accessories .....	128, 129
LED Link Fixtures .....	55	LED Under Cabinet & Cove .....	130-133
Button Round LED Flush Fixtures.....	56	Thread™ Linear LED System .....	130, 131
12" & 14" Range Voltage Operation LED Flush Fixtures .....	57	Thread™ Connections & Accessories.....	132, 133
7" & 10" LED Disk Lights.....	58	Satco Smart Home Z Wave Enabled Devices .....	135-139
7" & 10" High Lumen Disk Lights .....	59	Smart Home Gear: 86-100 Plug-In Appliance Module .....	135
11", 14" & 19" LED Flush Mount Fixtures.....	60	Smart Home Gear: 86-101 Plug-In Dimmer Module .....	136
11" & 14" Puff Dimming Fixtures .....	61	Smart Home Gear: 86-102 In-Wall Light Switch.....	137
11" & 14" LED Flush Mount Square Fixtures with or without Occupancy Sensor.....	62	Smart Home Gear: 86-103 In-Wall Dimmer .....	138
11" & 14" Range Voltage Operation LED Flush Fixtures.....	63	Smart Home Gear: 86-104 3-Way Auxiliary Switch.....	139
14" Range Voltage Operation LED Flush Fixtures with Sensors .....	64	Item Number Index.....	140-143
LED Flush Mount Emergency Battery Backup Ready (EMR) .....	65-67		

## At Satco, our business isn't about us.

Satco and Nuvo® and brands have grown to be industry leaders by offering you the widest selection of lamps, fixtures and lighting components.

### **The most innovative technology.**

The highest standards of quality and efficiency. And a reputation for service earned one customer at a time for almost 50 years.

### **Satco. Setting the standards.**

With a vast catalog of products built to the highest quality standards, massive inventories, a highly automated nationwide distribution network, and a growing investment in research and development, few lighting manufacturers can match Satco's depth of industry experience.

### **The widest selection.**

Satco keeps homes across North America lit through the thousands of retail outlets we supply with replacements lamps and consumer lighting accessories. The residential and commercial building trades rely on Satco's comprehensive line of fixtures, track and outdoor lighting and lamps, which are widely available through electrical distributors across the country.

Lighting fixture manufacturers turn to Satco Logistics for on-time shipping of thousands of component parts in orders of any size, including lamps, ballasts, sockets, switches, cords, canopies and glassware of every description.

## It's about you and your business.



The next standard in quality and efficiency.



Architectural LED lighting from Satco/NUVO.



Building codes everywhere set minimum safety standards for the lighting of virtually every structure. Nuvo LED fixtures line will certainly meet those standards, but do it more efficiently. LED lighting can save up to 80% on utility costs versus older technologies and still provide the lighting needed for offices, parking garages, warehouses and residences of all types, indoor or out.

## Over 50 years of lighting leadership

Nuvo LED fixtures are keeping venues everywhere safe and efficiently lit using the best electrical components, materials and overall fixture engineering available.





## Commercial/industrial indoor LED lighting.

Lighting larger spaces can be challenging simply due to the many different needs within one venue. That's why Nuvo has put together a well thought out product mix that offers numerous solutions. And each solution comes with the quality, efficiency and value Nuvo is known for. This combination makes lighting large industrial and commercial spaces--warehouses, retail floors, factories, loading docks, office buildings, high ceilings--easy. Now, entire venues can benefit from the lower energy costs, lower maintenance and lasting value LEDs offer.

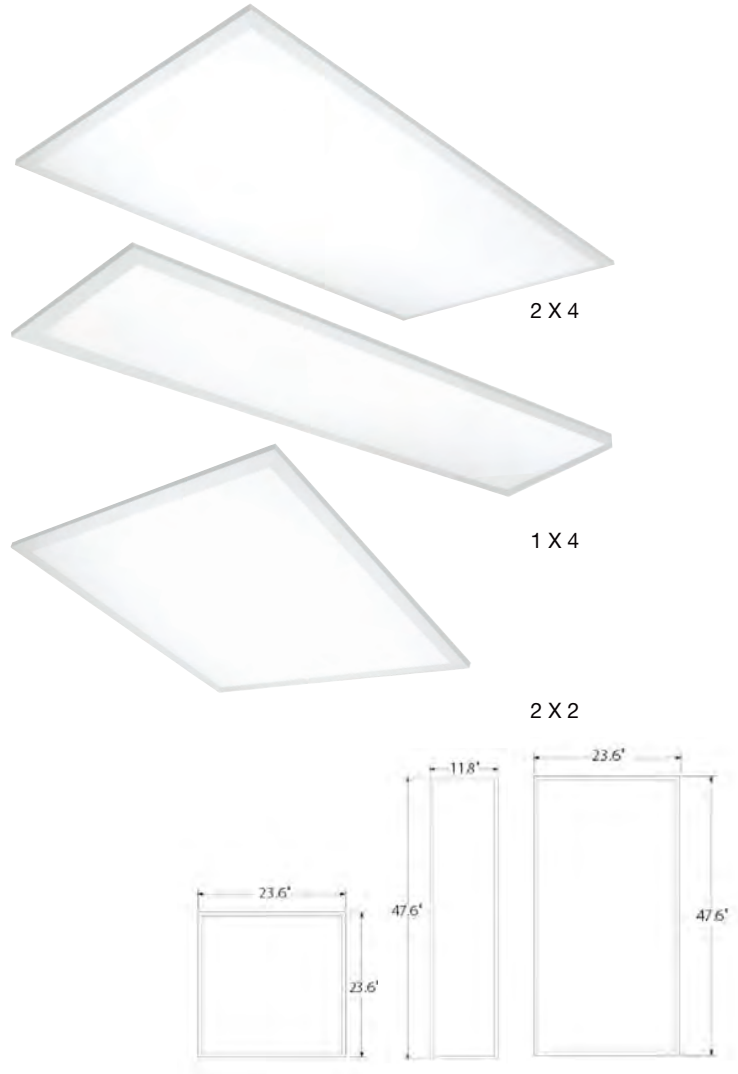
# LED Flat Panel Fixtures

(2 packs)

Even, consistent light.  
Low maintenance.  
High efficiency.

## Features

- White finish
- DLC listed
- Maintenance free—no bulb to change
- Perfect, even light distribution
- Flicker-free driver
- CRI >80
- Ultra-slim edge-lit design
- Stamped and reinforced back plate
- Rated 50,000 hours
- 0-10V dimming
- Universal input voltage—100-277V, 50/60Hz
- 3500K, 4000K and 5000K versions
- Recessed, surface mount and suspension kits available\*
- Certified for damp locations
- 5 year warranty



## LED Flat Panel 2 Packs



Item Number	Lamp Description	W	Voltage	CRI	CCT	Lm	Life/Hrs.	UPC	Pack
<b>2 Ft x 2 Ft. LED Flat Panel</b>									
65-321	2FT X 2FT LED FLAT PANEL 40 WATT	40	100-277	>80	3500K	4155	50K	045923453212	2
65-322	2FT X 2FT LED FLAT PANEL 40 WATT	40	100-277	>80	4000K	4194	50K	045923453229	2
65-323	2FT X 2FT LED FLAT PANEL 40 WATT	40	100-277	>80	5000K	4331	50K	045923453236	2
<b>1 Ft x 4 Ft. LED Flat Panel</b>									
65-339	1FT X 4FT LED FLAT PANEL 40 WATT	40	100-277	80	3500K	4029	50K	045923663390	2
65-340	1FT X 4FT LED FLAT PANEL 40 WATT	40	100-277	80	4000K	4098	50K	045923653407	2
65-341	1FT X 4FT LED FLAT PANEL 40 WATT	40	100-277	80	5000K	4194	50K	045923663413	2
<b>2 Ft x 4 Ft. LED Flat Panel</b>									
65-324	2FT X 4FT LED FLAT PANEL 50 WATT	50	100-277	>80	3500K	4906	50K	045923453243	2
65-325	2FT X 4FT LED FLAT PANEL 50 WATT	50	100-277	>80	4000K	4968	50K	045923453250	2
65-326	2FT X 4FT LED FLAT PANEL 50 WATT	50	100-277	>80	5000K	5139	50K	045923453267	2

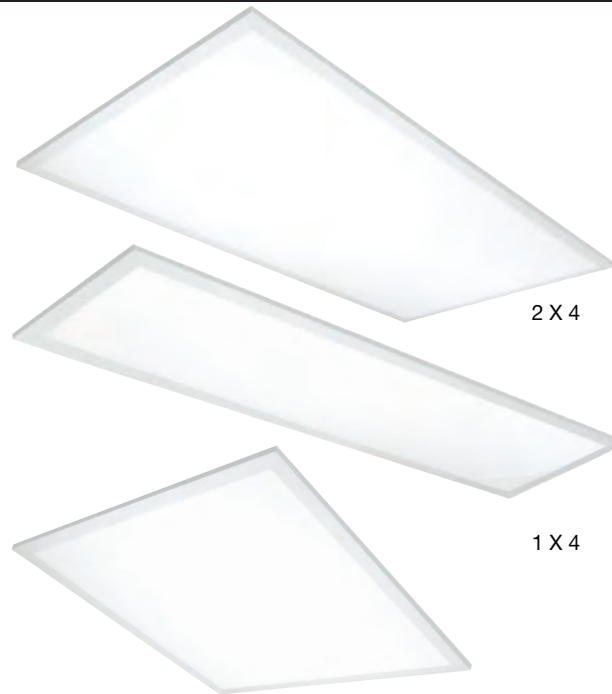
\*Accessories pg. 12

# LED Premium Flat Panel Fixtures

(2 packs)

## Features

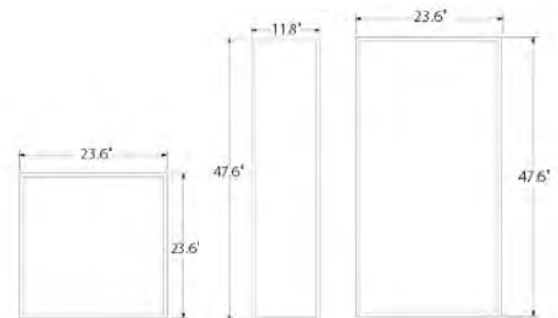
- White finish
- DLC Premium listed
- Maintenance free—no bulb to change
- Perfect, even light distribution
- Flicker-free driver
- CRI >80
- Ultra-slim edge-lit design
- Stamped and reinforced back plate
- Rated 50,000 hours
- 0-10V Dimming
- Universal input voltage — 100-277V, 50/60Hz
- Recessed, surface mount and suspension kits available\*
- Certified for damp locations
- 5 Year warranty



2 X 4

1 X 4

2 X 2



## LED Premium Flat Panel 2 Packs

Item Number	Lamp Description	W	V	CRI	CCT	Lm	Life/Hrs.	UPC	Pack
2 Ft x 2 Ft. LED Premium Flat Panel									
65-371	2 Ft. x 2 Ft. LED Premium Flat Panel	40	120~277V	80	3500K	5000	50K	045923753718	2
65-372	2 Ft. x 2 Ft. LED Premium Flat Panel	40	120~277V	80	4000K	5200	50K	045923753725	2
65-373	2 Ft. x 2 Ft. LED Premium Flat Panel	40	120~277V	80	5000K	5200	50K	045923753732	2
2 Ft x 4 Ft. LED Premium Flat Panel									
65-374	2 Ft. x 4 Ft. LED Premium Flat Panel	50	120~277V	80	3500K	6250	50K	045923753749	2
65-375	2 Ft. x 4 Ft. LED Premium Flat Panel	50	120~277V	80	4000K	6500	50K	045923753756	2
65-376	2 Ft. x 4 Ft. LED Premium Flat Panel	50	120~277V	80	5000K	6500	50K	045923753763	2
1 Ft x 4 Ft. LED Premium Flat Panel									
65-377	1 Ft. x 4 Ft. LED Premium Flat Panel	40	120~277V	80	3500K	5000	50K	045923753749	2
65-378	1 Ft. x 4 Ft. LED Premium Flat Panel	40	120~277V	80	4000K	5200	50K	045923753756	2
65-379	1 Ft. x 4 Ft. LED Premium Flat Panel	40	120~277V	80	5000K	5200	50K	045923753763	2

\*Accessories pg. 12



# LED Flat panel fixtures/ emergency battery backup

## Features

- White finish
- DLC listed
- Maintenance free—no bulb to change
- Perfect, even light distribution
- Flicker-free driver
- CRI >80
- 0-10V dimmable
- Ultra-slim edge-lit design
- Stamped and reinforced back plate
- Integrated test button and indicator light
- 90 Minute battery run time
- No additional wiring steps
- Rated 50,000 hours
- Universal input voltage - 100~277V, 50/60Hz
- Recessed, surface mount and suspension kits available\*
- Suitable for damp locations
- 5 Year warranty

## Battery Power

- 2x2: 12w/1200Lm
- 2x4: 16w/1600Lm



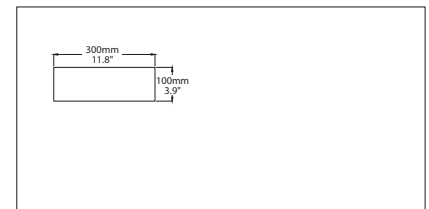
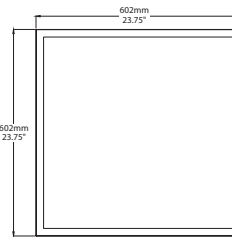
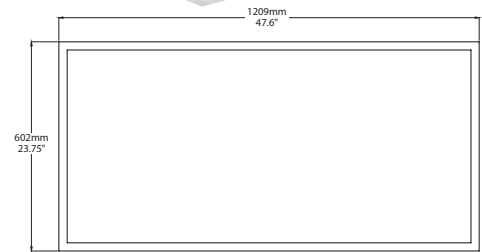
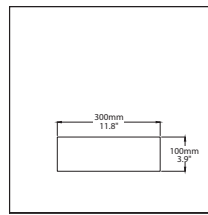
65-347, 65-351, 65-355



Integrated test button and indicator light



65-348, 65-352, 65-356



Item Number	Lamp Description	W	V	CRI	CCT	Lm	Life/Hrs.	UPC
2 Ft x 2 Ft. LED Flat Panel/Emergency Battery Backup								
65-347	2 Ft. x 2 Ft. LED Flat Panel/Emergency Battery Backup	40	100~277V	80	3500K	4155	50K	045923653476
65-351	2 Ft. x 2 Ft. LED Flat Panel/Emergency Battery Backup	40	100~277V	80	4000K	4194	50K	045923663512
65-355	2 Ft. x 2 Ft. LED Flat Panel/Emergency Battery Backup	40	100~277V	80	5000K	4331	50K	045923673559
2 Ft x 4 Ft. LED Flat Panel/Emergency Battery Backup								
65-348	2 Ft. x 4 Ft. LED Flat Panel/Emergency Battery Backup	50	100~277V	80	3500K	4906	50K	045923653483
65-352	2 Ft. x 4 Ft. LED Flat Panel/Emergency Battery Backup	50	100~277V	80	4000K	4968	50K	045923663529
65-356	2 Ft. x 4 Ft. LED Flat Panel/Emergency Battery Backup	50	100~277V	80	5000K	5139	50K	045923653568

\*Accessories pg. 12

# 120-347V LED Flat Panel Fixtures

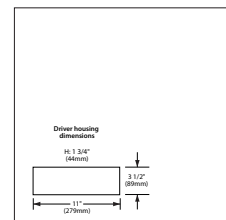
(2 packs)

## Features

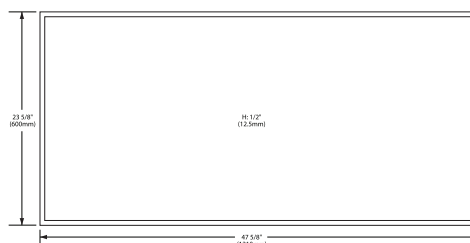
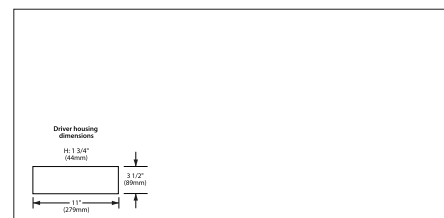
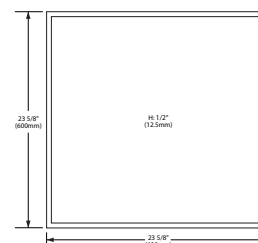
- White finish
- DLC listed
- Maintenance free—no bulb to change
- Perfect, even light distribution
- Flicker-free driver
- CRI >80
- Ultra-slim edge-lit design
- Stamped and reinforced back plate
- Rated 50,000 hours
- 0-10V Dimming
- Universal input voltage - 120~347V, 50/60Hz
- Recessed, surface mount and suspension kits available\*
- Certified for damp locations
- 5 Year warranty



65-333, 65-334, 65-335



65-336, 65-337, 65-338



Item Number	Lamp Description	W	V	CRI	CCT	Lm	Life/Hrs.	UPC	Pack
2 Ft x 2 Ft. LED Flat Panel									
65-333	2 Ft. x 2 Ft. LED Flat Panel	40	120~347V	80	3500K	4200	50K	045923453335	2
65-334	2 Ft. x 2 Ft. LED Flat Panel	40	120~347V	80	4000K	4400	50K	045923453342	2
65-335	2 Ft. x 2 Ft. LED Flat Panel	40	120~347V	80	5000K	4400	50K	045923453359	2
2 Ft x 4 Ft. LED Flat Panel									
65-336	2 Ft. x 4 Ft. LED Flat Panel	50	120~347V	80	3500K	5250	50K	045923453366	2
65-337	2 Ft. x 4 Ft. LED Flat Panel	50	120~347V	80	4000K	5500	50K	045923453373	2
65-338	2 Ft. x 4 Ft. LED Flat Panel	50	120~347V	80	5000K	5500	50K	045923453380	2

\*Accessories pg. 12

# LED Flat panel accessories

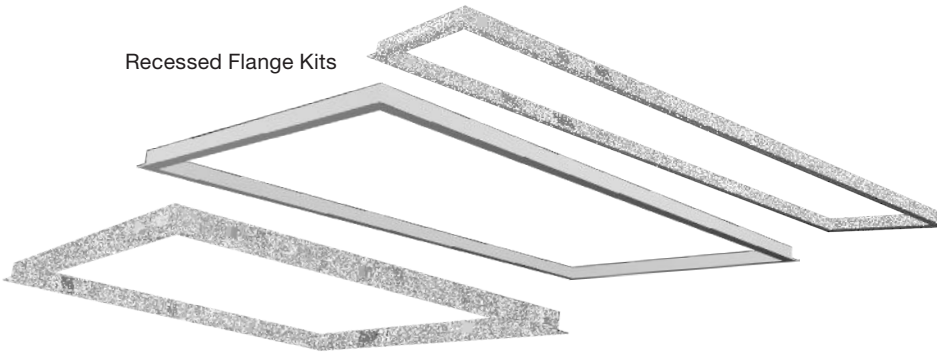
LED flat panel flush mount ceiling frame kits



LED flat panel suspension kit



Recessed Flange Kits



## LED Flat Panel Accessories

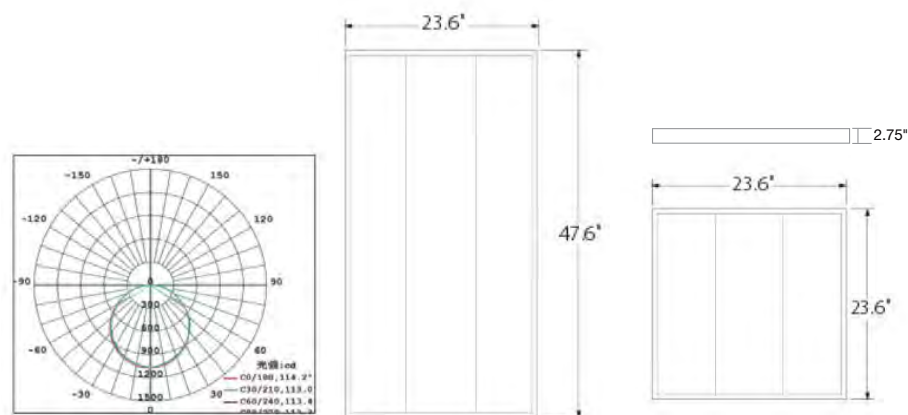
Item Number	Description	Dimensions	Finish	UPC	Pack
65-361	1' x 4' LED FLAT PANEL FRAME KIT	47 5/8" L x 11 5/8" W x 3" D	White	045923673610	10/1
65-362	2' x 2' LED FLAT PANEL FRAME KIT	23 5/8" L x 23 5/8" W x 3" D	White	045923663628	10/1
65-363	2' x 4' LED FLAT PANEL FRAME KIT	47 5/8" L x 23 5/8" W x 3" D	White	045923663635	10/1
65-364	1' x 4' RECESSED FLANGE KIT	49" L x 13" W x 1 1/2" D	White	045923673641	10/1
65-365	2' x 2' RECESSED FLANGE KIT	25 1/2" L x 25" W x 1 1/2" D	White	045923663598	10/1
65-366	2' x 4' RECESSED FLANGE KIT	49" L x 25" W x 1 1/2" D	White	045923653667	10/1
65-367	4' SUSPENSION CABLE KIT			045923653674	100/1

# LED Troffer fixtures

Even, consistent light.  
Low maintenance.  
High efficiency.

## Applications / Features

- Volumetric design
- Acrylic linear prismatic lens
- Maintenance free—no bulb to change
- DLC listed
- Even light distribution
- CRI >90
- Rated 50,000 hours of continuous use
- 0-10V dimming
- Universal input voltage, 100V-277V, 50/60Hz
- Drop into T-bar grid
- Certified for damp locations
- 5 Year warranty



## LED Troffer Fixtures

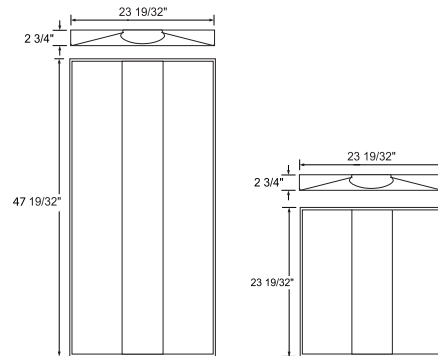


Item Number	Lamp Description	W	V	CRI	CCT	Lm	Efficiency (LM/W)	Life/ Hrs.	UPC	Pack
65-301	2FT X 2FT LED TROFFER 32 WATT	32	100-277	90	3500K	3213	100	50K	045923643019	1
65-302	2FT X 2FT LED TROFFER 32 WATT	32	100-277	90	4000K	3286	103	50K	045923643026	1
65-303	2FT X 2FT LED TROFFER 32 WATT	32	100-277	90	5000K	3292	103	50K	045923643033	1
65-304	2FT X 4FT LED TROFFER 40 WATT	40	100-277	90	3500K	4222	106	50K	045923643040	1
65-305	2FT X 4FT LED TROFFER 40 WATT	40	100-277	90	4000K	4376	109	50K	045923643057	1
65-306	2FT X 4FT LED TROFFER 40 WATT	40	100-277	90	5000K	4533	113	50K	045923643064	1
65-307	2FT X 4FT LED TROFFER 65 WATT	65	100-277	90	3500K	6543	101	50K	045923643071	1
65-308	2FT X 4FT LED TROFFER 65 WATT	65	100-277	90	4000K	6736	104	50K	045923643088	1
65-309	2FT X 4FT LED TROFFER 65 WATT	65	100-277	90	5000K	6898	106	50K	045923643095	1

# LED Troffer fixtures/ emergency battery backup

## Features

- Volumetric design
- Acrylic linear prismatic lens
- Maintenance free—no bulb to change
- Broad, even light distribution
- Integrated test button and indicator light
- 90 Minute battery run time
- No additional wiring steps
- Rated 50,000 hours
- CRI >80
- 0-10V Dimming
- Universal input voltage, 100V-277V
- Operating temperature -20°C to 40°C
- Drop into T-bar grid
- Certified for damp locations
- 5 Year warranty



## LED Troffer Fixtures



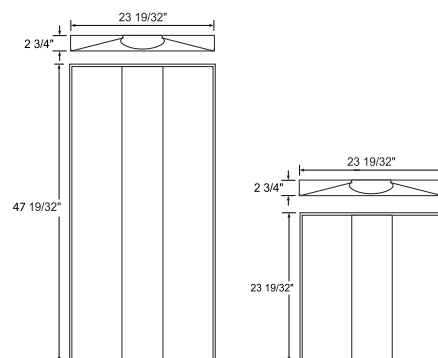
Item Number	Lamp Description	W	V	CRI	CCT	Lm	Life/ Hrs.	UPC	Pack
65-445	EM 2x2 Troffer - 30W - 3500K	30	100-277	80	3500K	3750	50K	045923534454	1
65-446	EM 2x2 Troffer - 30W - 4000K	30	100-277	80	4000K	3750	50K	045923534461	1
65-447	EM 2x2 Troffer - 30W - 5000K	30	100-277	80	5000K	3750	50K	045923534478	1
65-451	EM 2x4 Troffer - 40W - 3500K	40	100-277	80	3500K	5000	50K	045923534515	1
65-452	EM 2x4 Troffer - 40W - 4000K	40	100-277	80	4000K	5000	50K	045923534522	1
65-453	EM 2x4 Troffer - 40W - 5000K	40	100-277	80	5000K	5000	50K	045923534539	1
65-454	EM 2x4 Troffer - 50W - 3500K	50	100-277	80	3500K	6250	50K	045923534546	1
65-455	EM 2x4 Troffer - 50W - 4000K	50	100-277	80	4000K	6250	50K	045923534553	1
65-456	EM 2x4 Troffer - 50W - 5000K	50	100-277	80	5000K	6250	50K	045923534560	1



# LED Premium troffer fixtures

## Features

- Volumetric design
- Acrylic linear prismatic lens
- Maintenance free—no bulb to change
- Broad, even light distribution
- CRI >80
- 0-10V dimming
- Universal input voltage, 100V-277V
- Operating temperature -20°C to 40°C
- Drop into T-bar grid
- DLC Premium listed
- Damp location
- Rated 50,000 hours
- 5 Year warranty



## LED Premium Troffer Fixtures



Item Number	Lamp Description	W	V	CRI	CCT	Lm	Life/ Hrs.	UPC	Pack
65-421	2x2 Troffer - 30W - 3500K	30	100-277	80	3500K	3750	50K	045923534218	1
65-422	2x2 Troffer - 30W - 4000K	30	100-277	80	4000K	3750	50K	045923534225	1
65-423	2x2 Troffer - 30W - 5000K	30	100-277	80	5000K	3750	50K	045923534232	1
65-427	2x4 Troffer - 40W - 3500K	40	100-277	80	3500K	5000	50K	045923534270	1
65-428	2x4 Troffer - 40W - 4000K	40	100-277	80	4000K	5000	50K	045923534287	1
65-429	2x4 Troffer - 40W - 5000K	40	100-277	80	5000K	5000	50K	045923534294	1
65-430	2x4 Troffer - 50W - 3500K	50	100-277	80	3500K	6250	50K	045923534300	1
65-431	2x4 Troffer - 50W - 4000K	50	100-277	80	4000K	6250	50K	045923534317	1
65-432	2x4 Troffer - 50W - 5000K	50	100-277	80	5000K	6250	50K	045923534324	1

# LED Vapor tight surface mount fixtures

Efficiency and safety  
in one package

## Applications

- Moisture-prone areas
- Cold storage/freezers
- Warehouses
- Food processing
- Parking structures
- Generally harsh environments

## Features

- Available with or without occupancy sensor
- Tamper/vandal resistant
- High lumens/watt
- Heat resistant
- Operating temperature -30°C to 55°C
- Optional suspension kit 62-1069
- 100-277 range voltage, 50/60Hz
- 0-10V dimming
- Wet location when using provided connector\*
- CRI 80
- Available in 4000K and 5000K
- Rated—50,000 hours
- DLC listed
- 5 Year warranty



## Occupancy Sensor Specifications

Sensitivity	10% / 50% / 75% / 100%
Hold-time	5s / 30s / 1min / 5min / 10min / 20min / 30min
Stand-by time	0s / 10s / 1min / 5min / 10min / 30min / 1 hr / +∞
Stand-by dim level	10% / 20% / 30% / 50%
Daylight sensor	2 ~ 50lux, disable
Microwave frequency	5.8GHz +/-75MHz
Detection range	maximum (diameter x height): 16m x 15m
Detection angle	30° ~ 150°
Mounting height	maximum 6m
Working temperature	-20°C ~ 60°C

## LED Vapor Tight Surface Mount Fixtures



Item Number	Lamp Description	W	V	Lm	CCT	IP	CRI	Lm P/W	Life/Hrs.	Certific.	UPC	Pk./Mstr.
62-1061	29W Vapor Proof Sfc. Mnt-4000K	29	100-277	3200	4000	IP65	80	112	50K	DLC 4.1	045923410611	1
62-1062	29W Vapor Proof Sfc. Mnt-5000K	29	100-277	3400	5000	IP65	80	118	50K	DLC 4.1	045923410628	1
62-1063	58W Vapor Proof Sfc. Mnt-4000K	58	100-277	6400	4000	IP65	80	110	50K	DLC 4.1	045923410635	1
62-1064	58W Vapor Proof Sfc. Mnt-5000K	58	100-277	7000	5000	IP65	80	120	50K	DLC 4.1	045923410642	1
62-1065	29W Vapor Proof Sfc. Mnt-4000K-w/OCC Sensor	29	100-277	3200	4000	IP65	80	112	50K	DLC 4.1	045923410659	1
62-1066	29W Vapor Proof Sfc. Mnt-5000K-w/OCC Sensor	29	100-277	3400	5000	IP65	80	118	50K	DLC 4.1	045923410666	1
62-1067	58W Vapor Proof Sfc. Mnt-4000K-w/OCC Sensor	58	100-277	6400	4000	IP65	80	110	50K	DLC 4.1	045923510670	1
62-1068	58W Vapor Proof Sfc. Mnt-5000K-w/OCC Sensor	58	100-277	7000	5000	IP65	80	120	50K	DLC 4.1	045923410680	1
Accessories												
62-1069	Suspension Kit Set (2 per set) - 9.5" Length										045923410697	50

# LED Premium linear hi-bay fixtures

## Applications

- Large commercial and industrial spaces
- High ceilings
- Warehouses
- Retail
- Factories
- Loading docks

## Features

- Broad, even light distribution
- 120-277 range voltage
- 4000K
- CRI 80
- 1-10V Dimming
- IP20 rated
- 48" Chain and suspension V-clips included
- Operating temperature -20°C to 45° C
- Damp location
- Rated 50,000 hours
- DLC Premium listed
- 5 Year warranty



## LED Premium Linear Hi-Bay Fixtures



Item Number	Lamp Description	W	Lm	CCT	CRI	Lm P/W	Dimming	Voltage	Life/Hrs.	UPC	Pk.
65-501	2FT Linear High Bay - 80W	80	10400	4000K	80	130	1-10V	120-277	50K	045923535017	1
65-503	2FT Linear High Bay - 110W	110	14300	4000K	80	130	1-10V	120-277	50K	045923535031	1
65-505	2FT Linear High Bay - 165W	165	21450	4000K	80	130	1-10V	120-277	50K	045923535055	1
65-507	4FT Linear High Bay - 225W	225	29250	4000K	80	130	1-10V	120-277	50K	045923535079	1

# LED Linear hi-bay fixtures

## Applications

- Large commercial and industrial spaces
- High ceilings
- Warehouses
- Retail
- Factories
- Loading docks

## Features

- Broad, even light distribution
- 130 lumens per watt
- 100-277 range voltage, 50/60Hz
- 4000K
- CRI 80
- 0-10V Dimming
- Operating temperature -30°C to 55°C
- IP20 rated
- 20" Chain suspension kit included
- Damp location
- Rated 50,000 hours
- DLC Premium listed
- 5 Year warranty



Optional sensor (shown)  
Item no. 86-201



Optional Protective Cage  
Item no. 62-1077 (2')  
Item no. 62-1078 (4')



Optional Linear Hi-Bay Yoke Mount  
Item no. 62-1075 (2')  
Item no. 62-1076 (4')

Optional Sensor Specifications			
Power supply	100/120/240/277VAC, 50/60Hz	HIC protection	Max. 80A for 16.7msec.
Maximum Load @ -40°C~55°C (-40°F~131°F)	Incandescent/Halogen - 800/1200W(VA)@120/277V	Detectable speed	0.3~3m/sec. (1~10 ft./sec.)
	Fluorescent Ballast/CFL - 800/1200W(VA)@120/277V	Mounting height	Subject to the lens type applied
	Ballast Electronic (LED) - 540/1200VA@120/277V	Detection range	Subject to the lens applied and height
Maximum Load @ 55°C~70°C (131°F~158°F)	Incandescent/Halogen - 500/750W(VA)@120/277V	Ambient light level	7 levels Accu-Set digital potentiometer
	Fluorescent Ballast/CFL - 500/750W(VA)@120/277V	Delay time setting	T/1/3/5/10/20/30, T=10 sec. for testing
	Ballast Electronic (LED) - 500/750VA@120/277V	Op. humidity	Max. 95% RH
Infrared sensor	Omni-directional quad element	Op. temperature	-40°C~70°C (-40°F~158°F)
Load switching	Zero-cross Hybrid-Switching	Dimensions	Ø60 x H37mm (Ø2.36" x H1.45")

## LED Linear Hi-Bay Fixtures



Item Number	Lamp Description	W	Lm	CCT	CRI	Lumen P/W	Dimming	Voltage	Certificate	Life/ Hrs.	UPC	Pack
62-1071	75W - 2 Foot Linear Hi-Bay - 4000K	75	9750	4000K	80	130	0-10V	100-277	DLC 4.1	50K	045923410710	1
62-1072	100W - 2 Foot Linear Hi-Bay - 4000K	100	13000	4000K	80	130	0-10V	100-277	DLC 4.1	50K	045923410727	1
62-1073	150W - 2 Foot Linear Hi-Bay - 4000K	150	19500	4000K	80	130	0-10V	100-277	DLC 4.1	50K	045923410734	1
62-1074	210W - 4 Foot Linear Hi-Bay - 4000K	210	27300	4000K	80	130	0-10V	100-277	DLC 4.1	50K	045923410741	1
Accessories												
62-1075	2 Foot Linear Hi-Bay Yoke Mount										045923510755	10
62-1076	4 Foot Linear Hi-Bay Yoke Mount										045923510762	5
62-1077	2 Foot Protective Cage Accessory										045923210778	5
62-1078	4 Foot Protective Cage Accessory										045923210785	2



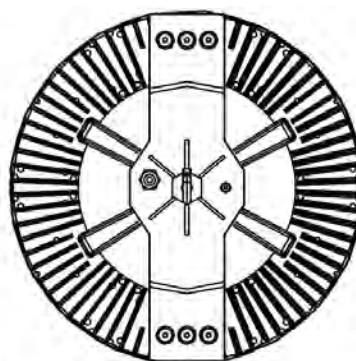
# LED circular hi-bay fixture

## Applications

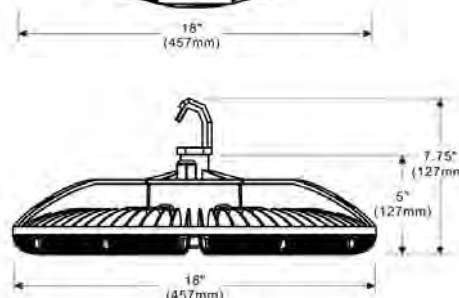
- Commercial
- Warehouses
- Gymnasiums
- Industrial facilities
- Retail

## Features

- 151W or 215W
- White finish
- Rugged construction
- Die-cast aluminum body
- High impact polycarbonate frosted lens
- Optional occupancy sensor - Item no. 86/201
- UV stabilized powder coated finish
- 120-277 V, 50/60Hz
- -40°C Starting temperature
- 5000K
- 151W, 250–400W MH equivalent
- 215W, 1000W MH equivalent
- Suitable for wet locations
- 54,000 Hour life
- 5 Year warranty
- DLC Premium listed
- IP66



Optional sensor  
Item no. 86-201



Optional Sensor Specifications			
Power supply	100/120/240/277VAC, 50/60Hz	HIC protection	Max. 80A for 16.7msec.
Maximum Load @ -40°C~55°C (-40°F~131°F)	Incandescent/Halogen - 800/1200W(VA)@120/277V	Detectable speed	0.3~3m/sec. (1~10 ft./sec.)
	Fluorescent Ballast/CFL - 800/1200W(VA)@120/277V	Mounting height	Subject to the lens type applied
	Ballast Electronic (LED) - 540/1200VA@120/277V	Detection range	Subject to the lens applied and height
Maximum Load @ 55°C~70°C (131°F~158°F)	Incandescent/Halogen - 500/750W(VA)@120/277V	Ambient light level	7 levels Accu-Set digital potentiometer
	Fluorescent Ballast/CFL - 500/750W(VA)@120/277V	Delay time setting	T/1/3/5/10/20/30', T=10 sec. for testing
	Ballast Electronic (LED) - 500/750VA@120/277V	Op. humidity	Max. 95% RH
Infrared sensor	Omni-directional quad element	Op. temperature	-40°C~70°C (-40°F~158°F)
Load switching	Zero-cross Hybrid-Switching	Dimensions	Ø60 x H37mm (Ø2.36"x H1.45")

## LED Circular Hi-Bay Fixture



Item Number	Lamp Description	W	V	Finish	CCT	Lm	CRI	Life/Hrs.	UPC	Pack/Mstr.
65-088	151W CIRCULAR HI-BAY	151	120-277	White	5000K	19112	80	54K	045923650888	1
65-089	215W CIRCULAR HI-BAY	215	120-277	White	5000K	27678	80	54K	045923650895	1



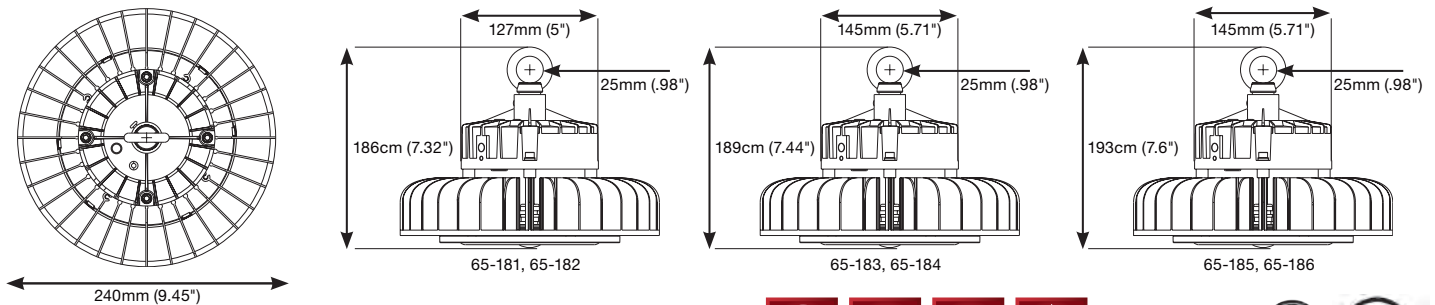
# LED UFO High Bay Fixture

## Applications

- Industrial/commercial facilities
- Warehouses
- Gymnasiums
- Airports/travel venues
- Retail

## Features

- Black finish
- Rugged construction
- Die cast aluminum alloy body / stainless steel screws
- Tempered diffuser
- 120° Beam spread
- UV powder coated finish
- Dimmable 1-10V
- 100W, 150W Operating temperature -30°C to 50°C
- 200W Operating temperature -30°C to 40°C
- Suitable for wet location
- IP65
- DLC pending, January, 2019



## LED UFO High Bay Fixture



Item Number	Lamp Description	W	V	HID Equiv.	Finish	CCT	Lm	CRI	LifeHrs.	UPC
65-181	LED UFO High Bay	100	100-277V	200-250W	Black	4000K	13000	70+	50,000	45923738104
65-182	LED UFO High Bay	100	100-277V	200-250W	Black	5000K	13000	70+	50,000	45923738111
65-183	LED UFO High Bay	150	100-277V	300-400W	Black	4000K	19500	70+	50,000	45923738128
65-184	LED UFO High Bay	150	100-277V	300-400W	Black	5000K	19500	70+	50,000	45923738135
65-185	LED UFO High Bay	200	100-277V	600W	Black	4000K	26000	70+	50,000	45923738142
65-186	LED UFO High Bay	200	100-277V	600W	Black	5000K	26000	70+	50,000	45923738159

Accessories										
65-187	Optional Add On Anti-Glare Reflector				Clear Prismatic					045923680137
65-188	Optional 60° Replacement Optic				Tempered Diffuser					045923680144
65-189	Optional 90° Replacement Optic				Tempered Diffuser					045923680151



FLUSH MOUNT

## Blink™ indoor commercial/residential LED flush mount fixtures

So simple, so innovative – perfect for so many projects. That's Blink. Sleek, efficient and easy to install. Blink again.

Blink LED fixtures come in the sizes, shapes, finishes and specifications that make solving most any lighting problem easy. No room for a recessed can fixture? No problem. If there's only a 3" or 4" junction box or a pancake box to work with, mounting is simple, and Blink is your LED lighting solution. Blink's ultra-sleek design – only 1" deep – makes it the answer for so many hard to light spaces. Blink is perfect for so many venues both residential and commercial. Kitchens, bathrooms, hallways, meeting rooms, offices and retail venues all benefit from this simple, efficient LED fixture.

# 1' x 1' and 2' x 2' Blink Plus LED surface mount fixtures

## Applications

- Kitchens
- Bathrooms
- Hallways
- Meeting rooms
- Hospitality
- Health care
- Offices
- Retail

## Features

- Dimmable, 120V only\*\*
- White finish
- Damp location
- Ultra-low profile made for j-box installs
- Unique quick-lock mounting bracket
- Mounts directly to 3" and 4" junction boxes
- 100-277V, 50/60Hz
- ENERGY STAR certified\*
- 5 Year limited warranty\*\*\*



62-1151



Installation for 2'x2' fixtures is easy using the unique quick-lock mounting bracket.



Quick-lock mounting bracket for all 1'x1' fixtures.

## Blink Plus LED Surface Mount Fixtures



Item Number	Lamp Description	W	Bulb Type	V	Finish	CRI	CCT	Lm	Life/Hrs.	Dimensions	UPC	Pack
80 CRI												
62-1151*	18W/LED/1X1/FLUSH/5K/WH	18	LED	100-277	White	80	5000K	1600	50K	12"L x 12"W x ¾"D	045923511516	6/1
62-1153*	45W/LED/2X2/FLUSH/5K/WH	45	LED	100-277	White	80	5000K	4050	50K	24"L x 24"W x ¾"D	045923511530	2/1
90 CRI												
62-1051*	18W/LED/1X1/FLUSH/3K/WH	18	LED	100-277	White	90	3000K	1300	50K	12"L x 12"W x ¾"D	045923410512	6/1
62-1251*	18W/LED/1X1/FLUSH/4K/WH	18	LED	100-277	White	90	4000K	1365	50K	12"L x 12"W x ¾"D	045923512513	6/1
62-1053*	45W/LED/2X2/FLUSH/3K/WH	45	LED	100-277	White	90	3000K	3500	50K	24"L x 24"W x ¾"D	045923410536	2/1
62-1253*	45W/LED/2X2/FLUSH/4K/WH	45	LED	100-277	White	90	4000K	3675	50K	24"L x 24"W x ¾"D	045923512537	2/1

\*\* Consult Satco or visit [www.satco.com](http://www.satco.com) for an up to date dimmer compatibility list. \*\*\* See separate warranty for complete terms and conditions.

† Complies with NEC code 410.16

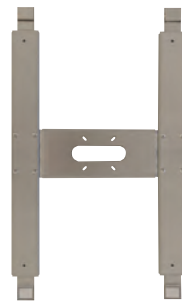
# 1' x 2' Blink Plus LED surface mount fixtures

## Applications

- Kitchens
- Bathrooms
- Hallways
- Meeting rooms
- Hospitality
- Health care
- Offices
- Retail

## Features

- Dimmable, 120V only\*\*
- White finish
- Damp location
- Ultra-low profile made for j-box installs
- Unique quick-lock mounting bracket
- Mounts directly to 3" and 4" junction boxes
- 100-277V, 50/60Hz
- ENERGY STAR certified\*
- 5 Year limited warranty\*\*\*



Unique quick-lock mounting bracket

## Blink Plus LED Surface Mount Fixtures



Item Number	Lamp Description	W	Bulb Type	Finish	V	CRI	CCT	Lm	Life/Hrs.	UPC	Pack
80 CRI											
62-1152	22W/LED/1X2/FLUSH/5K/WH	22	LED	White	100-277	80	5000K	1900	50K	045923511523	4/1
90 CRI											
62-1052*	22W/LED/1X2/FLUSH/3K/WH	22	LED	White	100-277	90	3000K	1650	50K	045923410529	4/1
62-1252*	22W/LED/1X2/FLUSH/4K/WH	22	LED	White	100-277	90	4000K	1735	50K	045923512520	4/1

\*\* Consult Satco or visit [www.satco.com](http://www.satco.com) for an up to date dimmer compatibility list. \*\*\* See separate warranty for complete terms and conditions.



# 1' x 4' Blink Plus LED surface mount fixtures

## Applications

- Kitchens
- Bathrooms
- Hallways
- Meeting rooms
- Hospitality
- Health care
- Offices
- Retail

## Features

- Dimmable, 120V only\*\*
- White finish
- Damp location
- Ultra-low profile made for j-box installs
- Unique quick-lock mounting bracket
- Mounts directly to 3" and 4" junction boxes
- 100-277V, 50/60Hz
- ENERGY STAR certified\*
- 5 Year limited warranty\*\*\*



Unique quick-lock mounting bracket

## Blink Plus LED Surface Mount Fixtures



Item Number	Lamp Description	W	Bulb Type	V	CRI	CCT	Lm	Life/Hrs.	Finish	UPC	Pack
80 CRI											
62-1154	45W/LED/1X4/FLUSH/5K/WH	45	LED	100-277	80	5000K	4050	50K	White	045923511547	2/1
90 CRI											
62-1054*	45W/LED/1X4/FLUSH/3K/WH	45	LED	100-277	90	3000K	3600	50K	White	045923410543	2/1
62-1254*	45W/LED/1X4/FLUSH/4K/WH	45	LED	100-277	90	4000K	3780	50K	White	045923512544	2/1

\*\* Consult Satco or visit [www.satco.com](http://www.satco.com) for an up to date dimmer compatibility list. \*\*\* See separate warranty for complete terms and conditions.

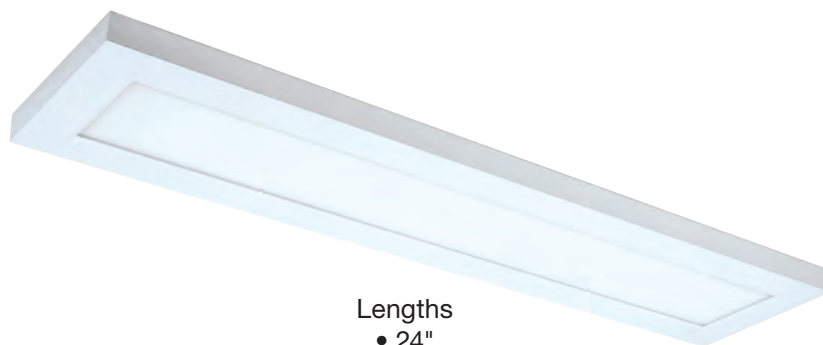
# Blink Plus LED linear surface mount fixtures

## Applications

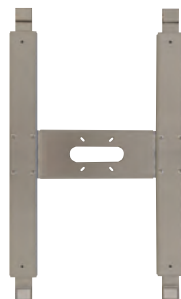
- Kitchens
- Bathrooms
- Hallways
- Meeting rooms
- Hospitality
- Health care
- Offices
- Retail

## Features

- Dimmable, 120V only\*\*
- White finish
- Damp location
- Ultra-low profile made for j-box installs
- Unique quick-lock mounting bracket
- Mounts directly to 3" and 4" junction boxes
- 100-277V, 50/60Hz
- ENERGY STAR certified\*
- 5 Year limited warranty\*\*\*



- Lengths
- 24"
  - 36"
  - 48"



Unique quick-lock mounting bracket

## Blink Plus LED Surface Mount Fixtures



Item Number	Lamp Description	W	Bulb Type	Finish	V	CRI	CCT	Lm	Life/Hrs.	UPC	Pack
80 CRI											
62-1155	22W/LED/5.5"X24"/FLUSH/5K/WH	22	LED	White	100-277	80	5000K	1870	50K	045923511554	6/1
62-1156	30W/LED/5.5"X36"/FLUSH/5K/WH	30	LED	White	100-277	80	5000K	2600	50K	045923511561	4/1
62-1157	40W/LED/5.5"X48"/FLUSH/5K/WH	40	LED	White	100-277	80	5000K	3300	50K	045923511578	4/1
90 CRI											
62-1055*	22W/LED/5.5"X24"/FLUSH/3K/WH	22	LED	White	100-277	90	3000K	1600	50K	045923410550	6/1
62-1056*	30W/LED/5.5"X36"/FLUSH/3K/WH	30	LED	White	100-277	90	3000K	2100	50K	045923410567	4/1
62-1057*	40W/LED/5.5"X48"/FLUSH/3K/WH	40	LED	White	100-277	90	3000K	2800	50K	045923410574	4/1
62-1255*	22W/LED/5.5"X24"/FLUSH/4K/WH	22	LED	White	100-277	90	4000K	1680	50K	045923512551	6/1
62-1256*	30W/LED/5.5"X36"/FLUSH/4K/WH	30	LED	White	100-277	90	4000K	2205	50K	045923512568	4/1
62-1257*	40W/LED/5.5"X48"/FLUSH/4K/WH	40	LED	White	100-277	90	4000K	2940	50K	045923512575	4/1

\*\* Consult Satco or visit [www.satco.com](http://www.satco.com) for an up to date dimmer compatibility list. \*\*\* See separate warranty for complete terms and conditions.

# 1' x 1' and 2' x 2' Blink Plus Profile LED surface mount fixtures

## Applications

- Kitchens • Bathrooms • Hallways
- Meeting rooms • Hospitality • Health care
- Offices • Retail • Closets†

## Features

- Dimmable\*, 120V only\*\*
- Damp location listed
- Gunmetal or Bronze finish
- Ultra-low profile only 1" deep
- Unique quick-lock mounting bracket
- Mounts directly to 3" and 4" junction boxes
- 100-277V, 50/60Hz
- 90 CRI
- ENERGY STAR certified
- 5 Year limited warranty\*\*\*



White Finish  
62-1371 1'x1' shown



Bronze Finish  
62-1181 1'x1' shown



Gunmetal Finish  
62-1171 1'x1' shown



Installation is easy using the unique quick-lock mounting brackets.



Quick-lock mounting bracket for 62-1171 & 62-1181

FLUSH MOUNT

## Blink Plus Profile LED Surface Mount Fixtures



Item Number	Lamp Description	W	V	CRI	CCT	Lm	Finish	Life/Hrs.	Dimensions	UPC	Pk.
62-1171	18W/LED/1X1X1/FLUSH/3K	18	100-277V	90	3000K	1300	GUNMETAL	50K	12"L x 12"W x 1"D	045923511714	6
62-1173	45W/LED/2X2X1/FLUSH/3K	45	100-277V	90	3000K	3500	GUNMETAL	50K	24"L x 24"W x 1"D	045923511738	2
62-1181	18W/LED/1X1X1/FLUSH/3K	18	100-277V	90	3000K	1300	BRONZE	50K	12"L x 12"W x 1"D	045923511813	6
62-1183	45W/LED/2X2X1/FLUSH/3K	45	100-277V	90	3000K	3500	BRONZE	50K	24"L x 24"W x 1"D	045923511837	2
62-1371	18W/LED/1X1/FLUSH/3K	18	100-277V	90	3000K	1300	WHITE	50K	12"L x 12"W x 1"D	045923713712	6
62-1373	45W/LED/2X2/FLUSH/3K	45	100-277V	90	3000K	3500	WHITE	50K	24"L x 24"W x 1"D	045923713736	2
62-1381	18W/LED/1X1/FLUSH/4K	18	100-277V	90	4000K	1365	WHITE	50K	12"L x 12"W x 1"D	045923713811	6
62-1383	45W/LED/2X2/FLUSH/4K	45	100-277V	90	4000K	3780	WHITE	50K	24"L x 24"W x 1"D	045923713835	2

\* Dimmable at 120V only. \*\* Consult Satco or visit [www.satco.com](http://www.satco.com) for an up to date dimmer compatibility list. \*\*\* See separate warranty for complete terms and conditions.

† Complies with NEC code 410.16

# 1' x 2' and 1' x 4' Blink Plus Profile LED surface mount fixtures

## Applications

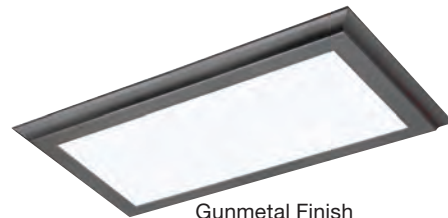
- Kitchens • Bathrooms • Hallways
- Meeting rooms • Hospitality • Health care
- Offices • Retail • Closets†

## Features

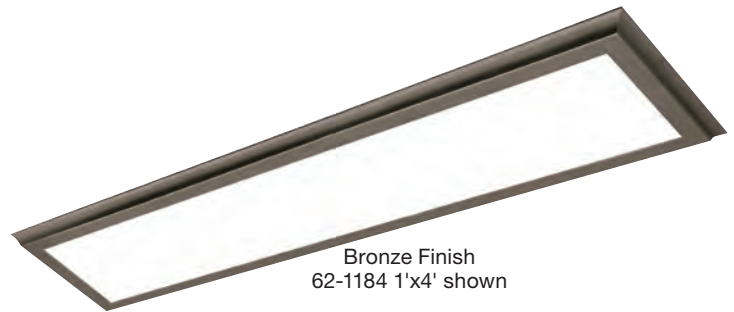
- Dimmable\*, 120V only\*\*
- Damp location listed
- Gunmetal or Bronze finish
- Ultra-low profile only 1" deep
- Unique quick-lock mounting bracket
- Mounts directly to 3" and 4" junction boxes
- 100-277V, 50/60Hz
- 90 CRI
- ENERGY STAR certified
- 5 Year limited warranty\*\*\*



White Finish  
62-1382 1'x2' shown



Gunmetal Finish  
62-1172 1'x2' shown



Bronze Finish  
62-1184 1'x4' shown



Installation is easy using the unique quick-lock mounting brackets.

## Blink Plus Profile LED Surface Mount Fixtures



Item Number	Lamp Description	W	V	CRI	CCT	Lm	Finish	Life/Hrs.	Dimensions	UPC	Pk.
62-1172	22W/LED/1X2X1/FLUSH/3K	22	100-277V	90	3000K	1650	GUNMETAL	50K	12"L x 24"W x 1"D	045923511721	4
62-1174	45W/LED/1X4X1/FLUSH/3K	45	100-277V	90	3000K	3600	GUNMETAL	50K	12"L x 48"W x 1"D	045923511745	2
62-1182	22W/LED/1X2X1/FLUSH/3K	22	100-277V	90	3000K	1650	BRONZE	50K	12"L x 24"W x 1"D	045923511820	4
62-1184	45W/LED/1X4X1/FLUSH/3K	45	100-277V	90	3000K	3600	BRONZE	50K	12"L x 48"W x 1"D	045923511844	2
62-1372	22W/LED/1X2/FLUSH/3K	22	100-277V	90	3000K	1650	WHITE	50K	12"L x 24"W x 1"D	045923713729	4
62-1374	45W/LED/1X4/FLUSH/3K	45	100-277V	90	3000K	3600	WHITE	50K	12"L x 48"W x 1"D	045923713743	2
62-1382	22W/LED/1X2/FLUSH/4K	22	100-277V	90	4000K	1735	WHITE	50K	12"L x 24"W x 1"D	045923713828	4
62-1384	45W/LED/1X4/FLUSH/4K	45	100-277V	90	4000K	3780	WHITE	50K	12"L x 48"W x 1"D	045923713842	2

\* Dimmable at 120V only. \*\* Consult Satco or visit [www.satco.com](http://www.satco.com) for an up to date dimmer compatibility list. \*\*\* See separate warranty for complete terms and conditions.  
† Complies with NEC code 410.16

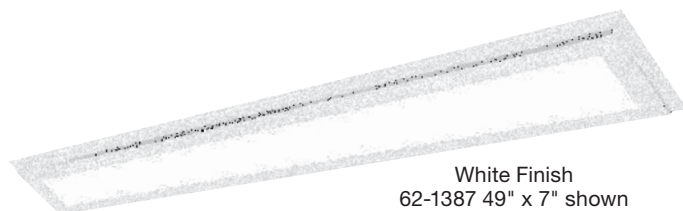
# Blink Plus Profile LED linear surface mount fixtures

## Applications

- Kitchens • Bathrooms • Hallways
- Meeting rooms • Hospitality • Health care
- Offices • Retail • Closets†

## Features

- Dimmable\*, 120V only\*\*
- Damp location listed
- Gunmetal or Bronze finish
- Ultra-low profile only 1" deep
- Unique quick-lock mounting bracket
- Mounts directly to 3" and 4" junction boxes
- 100-277V, 50/60Hz
- 90 CRI
- ENERGY STAR certified
- 5 Year limited warranty\*\*\*



White Finish  
62-1387 49" x 7" shown



Bronze Finish  
62-1187 49" x 7" shown



Installation is easy using the unique quick-lock mounting brackets.

FLUSH MOUNT

## Blink Plus Profile LED Surface Mount Fixtures



Item Number	Lamp Description	W	V	CRI	CCT	Lm	Finish	Life/Hrs.	Dimensions	UPC	Pk.
62-1175	22W/LED/7"X25"X1"/FLUSH/3K	22	100-277V	90	3000K	1600	GUNMETAL	50K	25"L x 7"W x 1"D	045923511752	6
62-1176	30W/LED/7"X38"X1"/FLUSH/3K	30	100-277V	90	3000K	2100	GUNMETAL	50K	38"L x 7"W x 1"D	045923511769	4
62-1177	40W/LED/7"X49"X1"/FLUSH/3K	40	100-277V	90	3000K	2800	GUNMETAL	50K	49"L x 7"W x 1"D	045923511776	4
62-1185	22W/LED/7"X25"X1"/FLUSH/3K	22	100-277V	90	3000K	1600	BRONZE	50K	25"L x 7"W x 1"D	045923511851	6
62-1186	30W/LED/7"X38"X1"/FLUSH/3K	30	100-277V	90	3000K	2100	BRONZE	50K	38"L x 7"W x 1"D	045923511868	4
62-1187	40W/LED/7"X49"X1"/FLUSH/3K	40	100-277V	90	3000K	2800	BRONZE	50K	49"L x 7"W x 1"D	045923511875	4
62-1375	22W/LED/7"X25"X1"/FLUSH/3K	22	100-277V	90	3000K	1600	WHITE	50K	25"L x 7"W x 1"D	045923713750	6
62-1376	30W/LED/7"X38"X1"/FLUSH/3K	30	100-277V	90	3000K	2100	WHITE	50K	38"L x 7"W x 1"D	045923713767	4
62-1377	40W/LED/7"X49"X1"/FLUSH/3K	40	100-277V	90	3000K	2800	WHITE	50K	49"L x 7"W x 1"D	045923713774	4
62-1385	22W/LED/7"X25"X1"/FLUSH/4K	22	100-277V	90	4000K	1680	WHITE	50K	25"L x 7"W x 1"D	045923713859	6
62-1386	30W/LED/7"X38"X1"/FLUSH/4K	30	100-277V	90	4000K	2205	WHITE	50K	38"L x 7"W x 1"D	045923713866	4
62-1387	40W/LED/7"X49"X1"/FLUSH/4K	40	100-277V	90	4000K	2940	WHITE	50K	49"L x 7"W x 1"D	045923713873	4

\* Dimmable at 120V only. \*\* Consult Satco or visit [www.satco.com](http://www.satco.com) for an up to date dimmer compatibility list. \*\*\* See separate warranty for complete terms and conditions.

† Complies with NEC code 410.16

# Blink Plus 15" and 19" LED surface mount fixtures

## Applications

- Kitchens
- Bathrooms
- Hallways
- Meeting rooms
- Hospitality
- Health care
- Offices
- Retail
- Closets†

## Features

- Dimmable, 120V only\*\*
- White finish
- Damp location listed
- Ultra-low profile only 1" deep
- Unique quick-lock mounting bracket
- Mounts directly to 3" and 4" junction boxes
- 120-277V, 50/60Hz
- 90 CRI
- ENERGY STAR certified\*
- 5 Year limited warranty\*\*\*



62-1191



62-1192



Quick-lock mounting bracket  
for Blink Plus 15" & 19" fixtures

## Blink Plus 15" & 19" LED Surface Mount Fixtures



Item Number	Lamp Description	W	V	CRI	CCT	Lm	Finish	Life/Hrs.	Dimensions	UPC	Pk./Mstr.
62-1191*	26W/LED/15" RND/FLUSH/3K/WH	26	120-277	90	3000K	2000	White	50K	15" Dia. x 1"D	045923511912	4/1
62-1291*	26W/LED/15" RND/FLUSH/4K/WH	26	120-277	90	4000K	2100	White	50K	15" Dia. x 1"D	045923512919	4/1
62-1192*	30W/LED/19" RND/FLUSH/3K/WH	30	120-277	90	3000K	2400	White	50K	19" Dia. x 1"D	045923511929	4/1
62-1292*	30W/LED/19" RND/FLUSH/4K/WH	30	120-277	90	4000K	2520	White	50K	19" Dia. x 1"D	045923512926	4/1
<b>Accessories</b>											
62-1294	BLINK 15" PEND SUSPENSION KIT	12' Wire		3x12' Suspension cables						045923512940	6/1
62-1295	BLINK 19" PEND SUSPENSION KIT	12' Wire		3x12' Suspension cables						045923512957	6/1

\*\* Consult Satco or visit [www.satco.com](http://www.satco.com) for an up to date dimmer compatibility list. \*\*\* See separate warranty for complete terms and conditions.

† Complies with NEC code 410.16



# Blink Plus LED 15" and 19" fixture suspension kits

## Features

- For use with Blink Plus 15" and 19" round LED fixtures
- White finish
- Includes 12' of wire
- Includes (3) 12' suspension cables
- Fixtures not included



62-1294  
15" Suspension Kit  
(Fixture sold separately)



62-1295  
19" Suspension Kit  
(Fixture sold separately)

## Blink Plus LED 15" & 19" Fixture Suspension Kits

Item Number	Lamp Description			UPC	Pack/ Master
62-1294	BLINK 15" PEND SUSPENSION KIT	12' Wire	3x12' Suspension cables	045923512940	12/1
62-1295	BLINK 19" PEND SUSPENSION KIT	12' Wire	3x12' Suspension cables	045923512957	12/1

NOTE: Fixtures sold separately

# 5.5" Round Blink LED fixtures

## Applications

- Kitchens
- Bathrooms
- Hallways
- Family rooms
- Offices

## Features

- Dimmable\*\*
- Wet location listed
- Available in White, Brushed Nickel, Bronze and Black
- Mounts directly to 3" and 4" junction boxes
- ENERGY STAR certified\*
- 5 Year limited warranty\*\*\*



White



Brushed Nickel



Bronze

## Blink 5.5" LED Round Fixtures



Item Number	Lamp Description	W	V	Finish	CRI	CCT	Lm	Bm	M.O.L. (Inches)	Life/ Hrs.	UPC	Pack/ Mstr.
S29320†	10.5W/LED/5.5"FLUSH/27K/RD/WH	10.5	120	White	90	2700K	580	108°	1"	50K	045923293207	12/1
S29321†	10.5W/LED/5.5"FLUSH/27K/RD/BN	10.5	120	Br. Nickel	90	2700K	580	108°	1"	50K	045923293214	12/1
S29322†	10.5W/LED/5.5"FLUSH/27K/RD/BRZ	10.5	120	Bronze	90	2700K	580	108°	1"	50K	045923293221	12/1
S29323†	10.5W/LED/5.5"FLUSH/30K/RD/WH†	10.5	120	White	90	3000K	600	108°	1"	50K	045923293238	12/1
S29359†	10W/LED/5.5"FLUSH/30K/RD/BN	10.5	120	Br. Nickel	90	3000K	600	108°	1"	50K	045923293597	12/1
S21500†	10.5W/LED/5.5"FLUSH/30K/RD/BRZ	10.5	120	Bronze	90	3000K	600	108°	1"	50K	045923205002	12/1
S21526†	10.5W/LED/5.5"FLUSH/30K/RD/BK	10.5	120	Black	90	3000K	600	108°	1"	50K	045923215261	12/1
S21501†	10.5W/LED/5.5"FLUSH/40K/RD/WH	10.5	120	White	90	4000K	600	108°	1"	50K	045923205019	12/1
S21502	10.5W/LED/5.5"FLUSH/50K/RD/WH	10.5	120	White	80	5000K	600	108°	1"	50K	045923205026	12/1

\*\* Consult Satco or visit [www.satco.com](http://www.satco.com) for an up to date dimmer compatibility list. \*\*\* See separate warranty for complete terms and conditions.

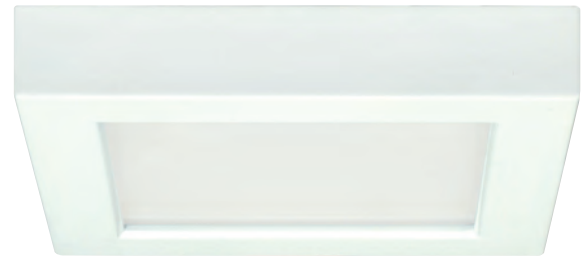
# 5.5" Square Blink LED fixtures

## Applications

- Kitchens
- Bathrooms
- Hallways
- Family rooms
- Offices

## Features

- Dimmable\*\*
- Wet location listed
- Available in White, Brushed Nickel, Bronze and Black
- Mounts directly to 3" and 4" junction boxes
- ENERGY STAR certified\*
- 5 Year limited warranty\*\*\*



White



Brushed Nickel



Bronze

FLUSH MOUNT



## Blink 5.5" LED Square Fixtures

Item Number	Lamp Description	W	V	Finish	CRI	CCT	Lm	Bm	M.O.L. (Inches)	Life/Hrs.	UPC	Pack/Mstr.
S29324†	10.5W/LED/5.5"FLUSH/27K/SQ/WH	10.5	120	White	90	2700K	580	108°	1"	50K	045923293245	12/1
S29325†	10.5W/LED/5.5"FLUSH/27K/SQ/BN	10.5	120	Br. Nickel	90	2700K	580	108°	1"	50K	045923293252	12/1
S29326†	10.5W/LED/5.5"FLUSH/27K/SQ/BRZ	10.5	120	Bronze	90	2700K	580	108°	1"	50K	045923293269	12/1
S29327†	10.5W/LED/5.5"FLUSH/30K/SQ/WH	10.5	120	White	90	3000K	600	108°	1"	50K	045923293276	12/1
S21503†	10.5W/LED/5.5"FLUSH/30K/SQ/BN	10.5	120	Br. Nickel	90	3000K	600	108°	1"	50K	045923205033	12/1
S21504†	10.5W/LED/5.5"FLUSH/30K/SQ/BRZ	10.5	120	Bronze	90	3000K	600	108°	1"	50K	045923205040	12/1
S21537†	10.5W/LED/5.5"FLUSH/30K/SQ/BK	10.5	120	Black	90	3000K	600	108°	1"	50K	045923215377	12/1
S21505†	10.5W/LED/5.5"FLUSH/40K/SQ/WH	10.5	120	White	90	4000K	600	108°	1"	50K	045923275050	12/1
S21506	10.5W/LED/5.5"FLUSH/50K/SQ/WH	10.5	120	White	80	5000K	600	108°	1"	50K	045923215063	12/1

\*\* Consult Satco or visit [www.satco.com](http://www.satco.com) for an up to date dimmer compatibility list. \*\*\* See separate warranty for complete terms and conditions.

# 7" Round Blink LED fixtures

## Applications

- Kitchens
- Bathrooms
- Hallways
- Family rooms
- Offices

## Features

- Dimmable\*\*
- Wet location
- Available in White, Brushed Nickel, Bronze and Black
- Mounts directly to 3" and 4" junction boxes
- ENERGY STAR certified\*
- 5 Year limited warranty\*\*\*



White



Brushed Nickel



Bronze

## Blink 7" LED Round Fixtures



Item Number	Lamp Description	W	V	Finish	CRI	CCT	Lm	Bm	M.O.L. (Inches)	Life/Hrs.	UPC	Pack/Mstr.
S29328†	13.5W/LED/7FLUSH/27K/RD/WH	13.5	120	White	90	2700K	800	108°	1"	50K	045923293283	12/1
S29329†	13.5W/LED/7FLUSH/27K/RD/BN	13.5	120	Br. Nickel	90	2700K	800	108°	1"	50K	045923293290	12/1
S29330†	13.5W/LED/7FLUSH/27K/RD/BRZ	13.5	120	Bronze	90	2700K	800	108°	1"	50K	045923293306	12/1
S29331†	13.5W/LED/7FLUSH/30K/RD/WH	13.5	120	White	90	3000K	820	108°	1"	50K	045923293313	12/1
S29349†	13.5W/LED/7FLUSH/30K/RD/BN	13.5	120	Br. Nickel	90	3000K	820	108°	1"	50K	045923293498	12/1
S21507†	13.5W/LED/7"FLUSH/30K/RD/BRZ	13.5	120	Bronze	90	3000K	820	108°	1"	50K	045923205071	12/1
S21528†	13.5W/LED/7"FLUSH/30K/RD/BK	13.5	120	Black	90	3000K	820	108°	1"	50K	045923215285	12/1
S29655†	13.5W/LED/7FLUSH/40K/RD/WH	13.5	120	White	90	4000K	820	108°	1"	50K	045923296550	12/1
S29360*	13.5W/LED/7FLUSH/50K/RD/WH	13.5	120	White	90	5000K	900	108°	1"	50K	045923293603	12/1

### 0-10V Dimming

S29367†	13.5W/LED/7FLUSH/30K/RD/WH/0-10VD	13.5	120	White	90	3000K	820	108°	1"	50K	045923293672	12/1
S21508†	13.5W/LED/7"40K/RD/WH/0-10VD	13.5	120	White	80	4000K	820	108°	1"	50K	045923205088	12/1
277V												
S29357†	13.5W/LED/7"FLUSH/30K/RD/WH/277V	13.5	277	White	90	3000K	820	108°	1"	50K	045923293573	12/1

\*\* Consult Satco or visit [www.satco.com](http://www.satco.com) for an up to date dimmer compatibility list. \*\*\* See separate warranty for complete terms and conditions.

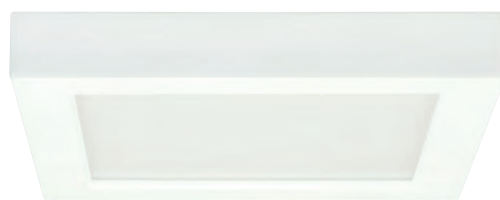
# 7" Square Blink LED fixtures

## Applications

- Kitchens
- Bathrooms
- Hallways
- Family rooms
- Offices

## Features

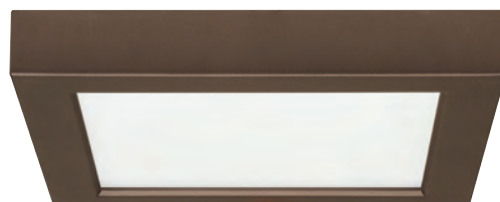
- Dimmable\*\*
- Wet location
- Available in White, Brushed Nickel, Bronze and Black
- Mounts directly to 3" and 4" junction boxes
- ENERGY STAR certified\*
- 5 Year limited warranty\*\*\*



White



Brushed Nickel



Bronze

FLUSH MOUNT

## Blink 7" LED Square Fixtures



Item Number	Lamp Description	W	V	Finish	CRI	CCT	Lm	Bm	M.O.L. (Inches)	Life/Hrs.	UPC	Pack/Mstr.
S29332†	13.5W/LED/7FLUSH/27K/SQ/WH	13.5	120	White	90	2700K	780	108°	1"	50K	045923293320	12/1
S29333†	13.5W/LED/7FLUSH/27K/SQ/BN	13.5	120	Br. Nickel	90	2700K	780	108°	1"	50K	045923293337	12/1
S29334†	13.5W/LED/7FLUSH/27K/SQ/BRZ	13.5	120	Bronze	90	2700K	780	108°	1"	50K	045923293344	12/1
S29335†	13.5W/LED/7FLUSH/30K/SQ/WH	13.5	120	White	90	3000K	800	108°	1"	50K	045923293351	12/1
S21509†	13.5W/LED/7"FLUSH/30K/SQ/BN	13.5	120	Br. Nickel	90	3000K	800	108°	1"	50K	045923205095	12/1
S21510†	13.5W/LED/7"FLUSH/30K/SQ/BRZ	13.5	120	Bronze	90	3000K	800	108°	1"	50K	045923205101	12/1
S21538†	13.5W/LED/7"FLUSH/30K/SQ/BK	13.5	120	Black	90	3000K	800	108°	1"	50K	045923215384	12/1
S21511†	13.5W/LED/7"FLUSH/40K/SQ/WH	13.5	120	White	90	4000K	800	108°	1"	50K	045923205118	12/1
S29361*	13.5W/LED/7FLUSH/50K/SQ/WH	13.5	120	White	80	5000K	880	108°	1"	50K	045923293610	12/1

\*\* Consult Satco or visit [www.satco.com](http://www.satco.com) for an up to date dimmer compatibility list. \*\*\* See separate warranty for complete terms and conditions.

# 9" Round Blink LED fixtures

## Applications

- Kitchens
- Bathrooms
- Hallways
- Family rooms
- Offices

## Features

- Dimmable\*\*
- Wet location
- Available in White, Brushed Nickel, Bronze and Black
- Mounts directly to 3" and 4" junction boxes
- ENERGY STAR certified\*
- 5 Year limited warranty\*\*\*



White



Brushed Nickel



Bronze

## Blink 9" LED Round Fixtures



Item Number	Lamp Description	W	V	Finish	CRI	CCT	Lm	Bm	M.O.L. (Inches)	Life/Hrs.	UPC	Pack/Mstr.
S29336†	18.5W/LED/9FLUSH/27K/RD/WH	18.5	120	White	90	2700K	1150	108°	1"	50K	045923293368	12/1
S29337†	18.5W/LED/9FLUSH/27K/RD/BN	18.5	120	Br. Nickel	90	2700K	1150	108°	1"	50K	045923293375	12/1
S29338†	18.5W/LED/9FLUSH/27K/RD/BRZ	18.5	120	Bronze	90	2700K	1150	108°	1"	50K	045923293382	12/1
S29339†	18.5W/LED/9FLUSH/30K/RD/WH	18.5	120	White	90	3000K	1200	108°	1"	50K	045923293399	12/1
S29379†	18.5W/LED/9FLUSH/30K/RD/BN	18.5	120	Br. Nickel	90	3000K	1200	108°	1"	50K	045923293795	12/1
S21512†	18.5W/LED/9"FLUSH/30K/RD/BRZ	18.5	120	Bronze	90	3000K	1200	108°	1"	50K	045923205125	12/1
S21530†	18.5W/LED/9"FLUSH/30K/RD/BK	18.5	120	Black	90	3000K	1200	108°	1"	50K	045923215308	12/1
S29690†	18.5W/LED/9FLUSH/40K/RD/WH	18.5	120	White	90	4000K	1200	108°	1"	50K	045923296901	12/1
S29362*	18.5W/LED/9FLUSH/50K/RD/WH	18.5	120	White	80	5000K	1300	108°	1"	50K	045923293627	12/1
0-10V, 90 CRI												
S21513†	18.5W/LED/9"/30K/RD/WH/0-10VD	18.5	120	White	90	3000K	1200	108°	1"	50K	045923205132	12/1
S21514†	18.5W/LED/9"/40K/RD/WH/0-10VD	18.5	120	White	90	4000K	1300	108°	1"	50K	045923205149	12/1
277V												
S29358†	18.5W/LED/9"FLUSH/30K/RD/WH/277V	18.5	277	White	90	3000K	1200	108°	1"	50K	045923293580	12/1

\*\* Consult Satco or visit [www.satco.com](http://www.satco.com) for an up to date dimmer compatibility list. \*\*\* See separate warranty for complete terms and conditions.



# 9" Square Blink LED fixtures

## Applications

- Kitchens
- Bathrooms
- Hallways
- Family rooms
- Offices

## Features

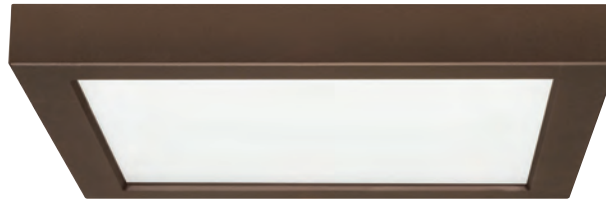
- Dimmable\*\*
- Wet location
- Available in White, Brushed Nickel, Bronze and Black
- Mounts directly to 3" and 4" junction boxes
- ENERGY STAR certified\*
- 5 Year limited warranty\*\*\*



White



Brushed Nickel



Bronze

FLUSH MOUNT

## Blink 9" LED Square Fixtures



Item Number	Lamp Description	W	V	Finish	CRI	CCT	Lm	Bm	M.O.L. (Inches)	Life/Hrs.	UPC	Pack/Mstr.
S29340*†	18.5W/LED/9FLUSH/27K/SQ/WH	18.5	120	White	90	2700K	1100	108°	1"	50K	045923293405	12/1
S29341*†	18.5W/LED/9FLUSH/27K/SQ/BN	18.5	120	Br. Nickel	90	2700K	1100	108°	1"	50K	045923293412	12/1
S29342*†	18.5W/LED/9FLUSH/27K/SQ/BRZ	18.5	120	Bronze	90	2700K	1100	108°	1"	50K	045923293429	12/1
S29343*†	18.5W/LED/9FLUSH/30K/SQ/WH	18.5	120	White	90	3000K	1150	108°	1"	50K	045923293436	12/1
S21515†	18.5W/LED/9"FLUSH/30K/SQ/BN	18.5	120	Br. Nickel	90	3000K	1150	108°	1"	50K	045923215155	12/1
S21516†	18.5W/LED/9"FLUSH/30K/SQ/BRZ	18.5	120	Bronze	90	3000K	1150	108°	1"	50K	045923215162	12/1
S21539†	18.5W/LED/9"FLUSH/30K/SQ/BK	18.5	120	Black	90	3000K	1150	108°	1"	50K	045923215391	12/1
S21517†	18.5W/LED/9"FLUSH/40K/SQ/WH	18.5	120	White	90	4000K	1200	108°	1"	50K	045923215179	12/1
S29363*	18.5W/LED/9FLUSH/50K/SQ/WH	18.5	120	White	80	5000K	1350	108°	1"	50K	045923293634	12/1

\*\* Consult Satco or visit [www.satco.com](http://www.satco.com) for an up to date dimmer compatibility list. \*\*\* See separate warranty for complete terms and conditions.

# 13" Round Blink LED fixtures

## Applications

- Kitchens
- Bathrooms
- Hallways
- Family rooms
- Offices

## Features

- Dimmable\*\*
- Damp location
- Available in White, Brushed Nickel, and Bronze
- Mounts directly to 3" and 4" junction boxes
- ENERGY STAR certified\*
- 5 Year limited warranty\*\*\*



White



Brushed Nickel



Bronze



Installation is easy using the twist & lock mounting bracket.

## Blink 13" LED Round Fixtures



Item Number	Lamp Description	W	V	Finish	CRI	CCT	Lm	Bm	M.O.L. (Inches)	Life/Hrs.	UPC	Pack/Mstr.
S29650†	25W/LED/13FLUSH/30K/RD/WH	24	120	White	90	3000K	1500	108°	1"	50K	045923296505	4/1
S29651†	25W/LED/13FLUSH/30K/RD/BN	24	120	Br. Nickel	90	3000K	1500	108°	1"	50K	045923296512	4/1
S29652†	25W/LED/13FLUSH/30K/RD/BRZ	24	120	Bronze	90	3000K	1500	108°	1"	50K	045923296529	4/1
S29691†	25W/LED/13FLUSH/40K/RD/W	25	120	White	80	4000K	1800	108°	1"	40K	045923096914	4/1

\*\* Consult Satco or visit [www.satco.com](http://www.satco.com) for an up to date dimmer compatibility list. \*\*\* See separate warranty for complete terms and conditions.

# 6" and 8" Blink LED "Eco" fixtures

## Applications

- Kitchens
- Bathrooms
- Hallways
- Family rooms
- Offices

## Features

- Lightweight polycarbonate housing
- Dimmable\*\*
- Damp location
- Available in White, 3000K
- 6" and 8" options
- Mounts directly to 3" and 4" junction boxes
- 90 CRI
- ENERGY STAR certified\*
- 5 Year limited warranty\*\*\*



White Finish  
S9880 6" shown

## Blink "Eco" LED Fixtures



Item Number	Lamp Description	W	V	Finish	CRI	CCT	Lm	M.O.L. (Inches)	Life/Hrs.	UPC	Pack/Mstr.
S9880*	12.5W/LED/6"FLUSH/3K/ECO	12.5	120	White	90	3000K	690	1"	50K	045923098802	12/1
S9881*	16.5W/LED/8"FLUSH/3K/ECO	16.5	120	White	90	3000K	940	1"	50K	045923098819	12/1

\*\* Consult Satco or visit [www.satco.com](http://www.satco.com) for an up to date dimmer compatibility list. \*\*\* See separate warranty for complete terms and conditions.

# 7" and 9" Blink LED "Slim" fixtures

New ultra-thin 5/8" edge lit  
flush mount fixture

## Applications

- Kitchens
- Bathrooms
- Hallways
- Family rooms
- Offices

## Features

- Dimmable\*\*
- Damp location
- Available in White, Brushed Nickel, Polished Nickel and Bronze
- Mounts directly to 3" and 4" junction boxes
- 120/277V, 50/60Hz
- 90 CRI
- ENERGY STAR certified\*
- 5 Year limited warranty\*\*\*

Accessories, see page 38.



Brushed Nickel Finish  
S9883 7" shown



Bronze Finish  
S9889 9" shown

## Blink Slim LED Fixtures



Item Number	Lamp Description	W	V	Finish	CRI	CCT	Lm	M.O.L. (Inches)	Life/Hrs.	UPC	Pack/Mstr.
<b>Blink Slim 7"</b>											
S9882*	12W/LED/7"FLUSH/3K/WH/SL	12	120-277	White	90	3000K	960	½"	50K	045923098826	12/1
S9883*	12W/LED/7"FLUSH/3K/BN/SL	12	120-277	Br. Nickel	90	3000K	960	½"	50K	045923098833	12/1
S9884*	12W/LED/7"FLUSH/3K/PN/SL	12	120-277	Pol. Nickel	90	3000K	960	½"	50K	045923098840	12/1
S9885*	12W/LED/7"FLUSH/3K/BRZ/SL	12	120-277	Bronze	90	3000K	960	½"	50K	045923098857	12/1
<b>Blink Slim 9"</b>											
S9886*	16W/LED/9"FLUSH/3K/WH/SL	16	120-277	White	90	3000K	1300	½"	50K	045923098864	12/1
S9887*	16W/LED/9"FLUSH/3K/BN/SL	16	120-277	Br. Nickel	90	3000K	1300	½"	50K	045923098871	12/1
S9888*	16W/LED/9"FLUSH/3K/PN/SL	16	120-277	Pol. Nickel	90	3000K	1300	½"	50K	045923098888	12/1
S9889*	16W/LED/9"FLUSH/3K/BRZ/SL	16	120-277	Bronze	90	3000K	1300	½"	50K	045923098895	12/1

\*\* Consult Satco or visit [www.satco.com](http://www.satco.com) for an up to date dimmer compatibility list. \*\*\* See separate warranty for complete terms and conditions.

# Blink accessory Slim 7", 9" pendant kits

Blink LED Slim fixtures sold separately

## Applications / Features

- For use with Blink Slim 7" & 9" round LED fixtures
- White, Bronze, Brushed Nickel or Polished Nickel finishes
- Fixtures not included
- Kit includes pendant, ceiling canopy, 12' cord and all necessary mounting hardware.



## Blink Accessory Slim 7", 9" Pendant Kits

Item Number	Description	Finish	Use With	Cord Length	UPC	Pack
62-1301	BLINK SLIM 7" PENDANT KIT	White	S9882	12'	045923513015	12/1
62-1302	BLINK SLIM 9" PENDANT KIT	White	S9886	12'	045923513022	12/1
62-1303	BLINK SLIM 7" PENDANT KIT	Bronze	S9885	12'	045923513039	12/1
62-1304	BLINK SLIM 9" PENDANT KIT	Bronze	S9889	12'	045923513046	12/1
62-1305	BLINK SLIM 7" PENDANT KIT	Brushed Nickel	S9883	12'	045923513053	12/1
62-1306	BLINK SLIM 9" PENDANT KIT	Brushed Nickel	S9887	12'	045923513060	12/1
62-1307	BLINK SLIM 7" PENDANT KIT	Polished Nickel	S9884	12'	045923513077	12/1
62-1308	BLINK SLIM 9" PENDANT KIT	Polished Nickel	S9888	12'	045923513084	12/1

## Blink LED Slim 7", 9" Fixtures



Item Number	Lamp Description	W	V	Finish	CRI	CCT	Lm	M.O.L. (Inches)	Life/Hrs.	UPC	Pack
<b>Blink Slim 7"</b>											
S9882*	12W/LED/7"FLUSH/3K/WH/SL	12	120-277	White	90	3000K	960	1/2	50K	045923098826	12/1
S9883*	12W/LED/7"FLUSH/3K/BN/SL	12	120-277	Br. Nickel	90	3000K	960	1/2	50K	045923098833	12/1
S9884*	12W/LED/7"FLUSH/3K/PN/SL	12	120-277	Pol. Nickel	90	3000K	960	1/2	50K	045923098840	12/1
S9885*	12W/LED/7"FLUSH/3K/BRZ/SL	12	120-277	Bronze	90	3000K	960	1/2	50K	045923098857	12/1
<b>Blink Slim 9"</b>											
S9886*	16W/LED/9"FLUSH/3K/WH/SL	16	120-277	White	90	3000K	1300	1/2	50K	045923098864	12/1
S9887*	16W/LED/9"FLUSH/3K/BN/SL	16	120-277	Br. Nickel	90	3000K	1300	1/2	50K	045923098871	12/1
S9888*	16W/LED/9"FLUSH/3K/PN/SL	16	120-277	Pol. Nickel	90	3000K	1300	1/2	50K	045923098888	12/1
S9889*	16W/LED/9"FLUSH/3K/BRZ/SL	16	120-277	Bronze	90	3000K	1300	1/2	50K	045923098895	12/1

\*\* Consult Satco or visit [www.satco.com](http://www.satco.com) for an up to date dimmer compatibility list. \*\*\* See separate warranty for complete terms and conditions.

FLUSH MOUNT

# 5" x 18" and 7" x 18" Blink LED rectangular fixtures

## Applications

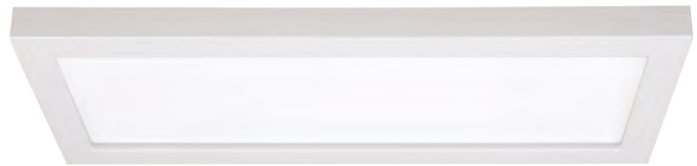
- Kitchens
- Bathrooms
- Hallways
- Meeting rooms
- Hospitality
- Health care
- Offices
- Retail

## Features

- Dimmable, 120V only\*\*
- Damp location
- ENERGY STAR certified\*
- 5 Year limited warranty\*\*\*



S9368



S9369

## Blink 5" x 18" LED Rectangular Fixtures



Item Number	Lamp Description	W	Bulb Type	Finish	V	CRI	CCT	Lm	Life/Hrs.	UPC	Pack
S9368*	16W/LED/18"/FLUSH/30K/90CRI/REC	16	LED	White	120	90	3000K	950	40K	045923093685	6/1

## Blink 7" x 18" LED Rectangular Fixture

S9369*	24W/LED/18"/FLUSH/30K/90CRI/REC	24	LED	White	120	90	3000K	1300	40K	045923093692	6/1
--------	---------------------------------	----	-----	-------	-----	----	-------	------	-----	--------------	-----

\*\* Consult Satco or visit [www.satco.com](http://www.satco.com) for an up to date dimmer compatibility list. \*\*\* See separate warranty for complete terms and conditions.



# Blink 7" battery backup modules

## Features

- 24 hour recharge time
- 90 minute operation from battery
- Switching time: < 1 second
- Over-charge / discharge protection
- Self-checking function
- Test button

Replacement battery -  
26F18650  
2600 mAh, 5.2A



FLUSH MOUNT

## Blink 7" LED Round Battery Backup

Item Number	Description	UPC	Pack/ Mstr.
S29344	7" Round Battery Back Up - White	045923293443	12/1
S29346	7" Round Battery Back Up - Empty Casing* - White	045923293467	12/1
S29653	7" Round Battery Backup - Brushed Nickel	045923296536	12/1
S29654	7" Round Battery Backup - Empty Casing* - Brushed Nickel	045923296543	12/1
S21533	7" Round Battery Backup - Black	045923215339	12/1
S21534	7" Round Battery Backup - Empty Casing* - Black	045923215346	12/1

## Blink 7" LED Square Battery Backup

S29345	7" Square Battery Backup - White	045923293450	12/1
S29347	7" Square Battery Backup - Empty Casing* - White	045923293474	12/1
S21535	7" Square Battery Backup - Black	045923215353	12/1
S21536	7" Square Battery Backup - Empty Casing* - Black	045923215360	12/1

Battery backup module and Blink fixture sold separately.

\* Used to maintain consistent appearance with Blinks utilizing the battery back up.

\*\* Consult Satco or visit [www.satco.com](http://www.satco.com) for an up to date dimmer compatibility list. \*\*\* See separate warranty for complete terms and conditions.

# Blink 9" battery backup modules

## Features

- 24 hour recharge time
- 90 minute operation from battery
- Switching time: < 1 second
- Over-charge / discharge protection
- Self-checking function
- Test button

Replacement battery -  
26F18650  
2600 mAh, 5.2A



S29656, S29657



S29658, S29659

## Blink 9" LED Round Battery Backup

Item Number	Description	UPC	Pack/Mstr.
S29656	9" Round Battery Backup - White	045923096563	12/1
S29657	9" Round Battery Backup - Empty Casing* - White	045923096570	12/1

## Blink 9" LED Square Battery Backup

S29658	9" Square Battery Backup - White	045923096587	12/1
S29659	9" Square Battery Backup - Empty Casing* - White	045923096594	12/1

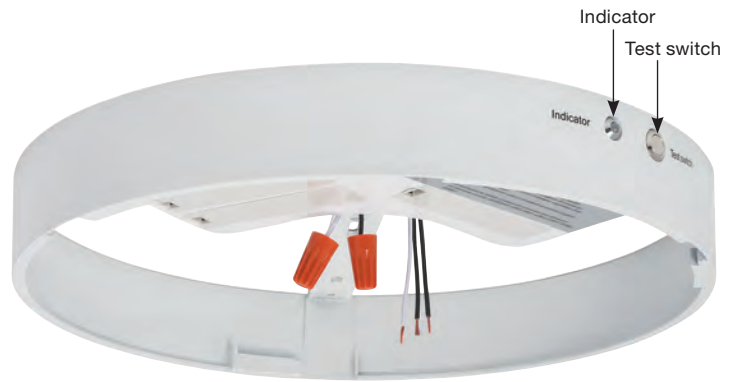
Battery backup module and Blink fixture sold separately. \*Used to maintain consistent appearance with Blinks utilizing the battery backup.

\*\* Consult Satco or visit [www.satco.com](http://www.satco.com) for an up to date dimmer compatibility list. \*\*\* See separate warranty for complete terms and conditions.

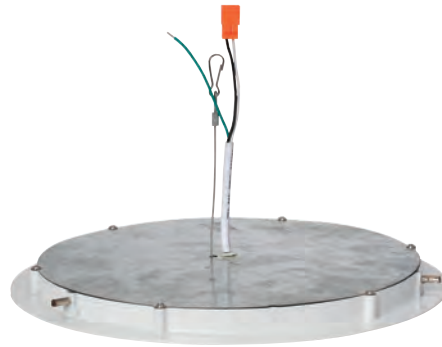
# Blink 13" round battery backup module

## Features

- 24 hour recharge time
- 90 minute operation from battery
- Switching time: < 1 second
- Overcharge / discharge protection
- Self-checking function
- Test button
- 120V operation
- Fixtures sold separately



1. Wire module to J-box



2. Connect module to fixture



3. Twist and lock fixture into place



## Blink 13" Battery Backup Modules

Item Number	Description	UPC	Pack/ Master
S8672	13" Round Battery Backup - White	045923086724	12/1
S8674	13" Round Battery Backup - Empty Casing* - White	045923086748	12/1
S8673	13" Round Battery Backup - Brushed Nickel	045923088731	12/1
S8675	13" Round Battery Backup - Empty Casing* - Brushed Nickel	045923086755	12/1

Battery backup module and Blink fixture sold separately.

\* Used to maintain consistent appearance with Blinks utilizing the battery back up.



## LED indoor utility fixtures that get the job done.

Even the most mundane spaces in the home or commercial space need to be safely lit. But this doesn't mean that efficiency and decor should suffer. Nuvo utility and basic LED ceiling and wall fixtures are perfect for baths, hallways, stairwells, work and laundry rooms, offices, closets—even kitchens and baths—can now be safely and efficiently lit with these stylish, yet simple, fixtures. And for added safety and security, our emergency battery backup ready line delivers Efficient LED light when it's needed most.

And look good doing it.

# LED ceiling wraps

## Applications

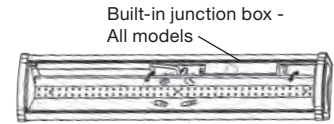
- Kitchens
- Work areas
- Hallways
- Laundry
- Closets†

## Features

- 2' and 4' Lengths
- With or without pull chain or sensor
- Mounts directly to junction box or can be internally wired using built-in junction box
- Maintenance free—no bulb to change
- Perfect, even light distribution
- 90 CRI
- Slim design
- 50,000 hour life
- Operating temperature -20°C to 40°C
- Universal input voltage, 100-277V (Pull chain 120V only) 50/60Hz
- 3000K & 4000K options
- Certified for damp locations
- ENERGY STAR certified
- 5 Year warranty



65-1081, 65-1082, 65-1083, 65-1084



Built-in junction box - All models



65-1091, 65-1092



Motion sensor

65-1095, 65-1096, 65-1097, 65-1098

### PIR Sensor specifications:

(Ceiling mounted installation - ceiling height 2.2-4m / 7'-13')

- Detection Distance: 4-6m / 13'-20'
- No Detection Shut Off Time: 50 Seconds

## LED Ceiling Wraps



Item Number	Lamp Description	W	V	CRI	CCT	Lm	Efficiency (LM/W)	Life/Hrs.	UPC	Pack
65-1081	2FT LED Ceiling Wrap Fixture	20	100-277	90	4000K	1600	80	50K	045923510816	4
65-1082	4FT LED Ceiling Wrap Fixture	40	100-277	90	4000K	3200	80	50K	045923510823	4
65-1083	2FT LED Ceiling Wrap Fixture	20	100-277	90	3000K	1600	80	50K	045923510830	4
65-1084	4FT LED Ceiling Wrap Fixture	40	100-277	90	3000K	3200	80	50K	045923510847	4

### LED Ceiling Wraps with On/Off Pull Chain

65-1091	2FT LED Ceiling Wrap Fixture with on/off pull chain	20	120	90	3000K	1600	80	50K	045923670916	4
65-1092	4FT LED Ceiling Wrap Fixture with on/off pull chain	40	120	90	3000K	3200	80	50K	045923670923	4

### LED Ceiling Wraps with Motion Sensor

65-1095	2FT LED Ceiling Wrap Fixture w/Motion sensor	20	120-277	90	3000K	1600	80	50K	045923670954	4
65-1096	4FT LED Ceiling Wrap Fixture w/Motion sensor	40	120-277	90	3000K	3200	80	50K	045923670961	4
65-1097	2FT LED Ceiling Wrap Fixture w/Motion sensor	20	120-277	90	4000K	1600	80	50K	045923670978	4
65-1098	4FT LED Ceiling Wrap Fixture w/Motion sensor	40	120-277	90	4000K	3200	80	50K	045923670985	4

† Complies with NEC Code 410.16



# LED strip fixtures

Even, consistent light.  
Low maintenance.  
High efficiency.

## Applications

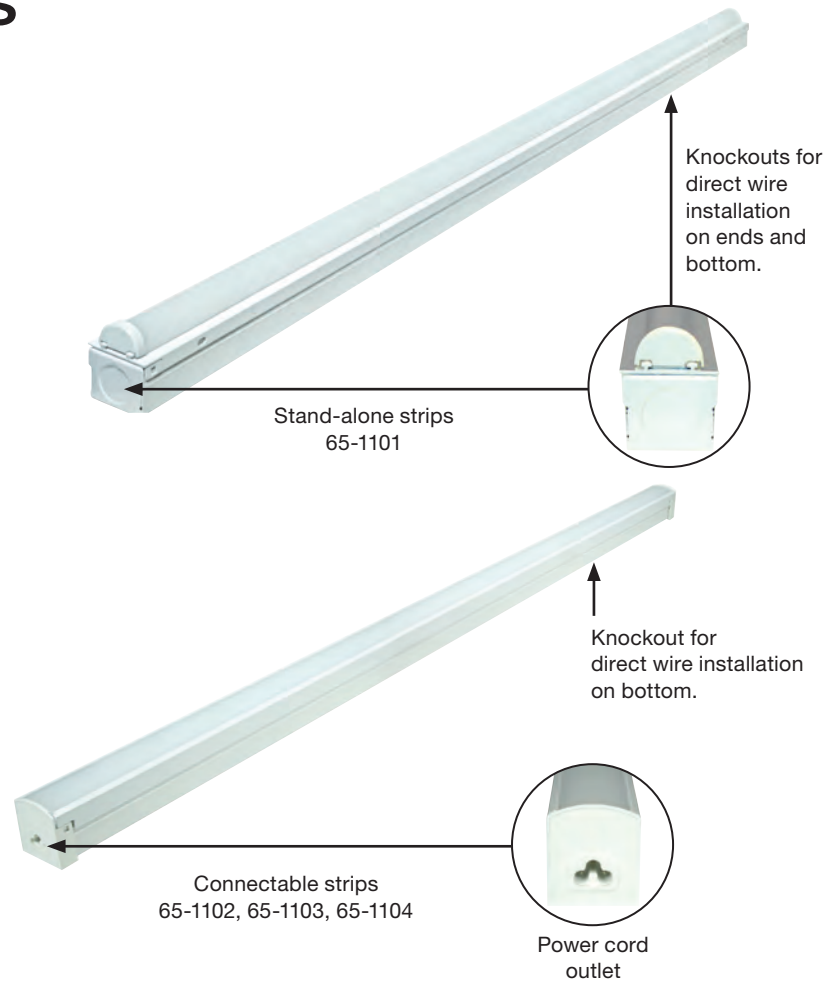
- Bathrooms
- Closets†
- Kitchen
- Work areas
- Hallways
- Retail

## Features

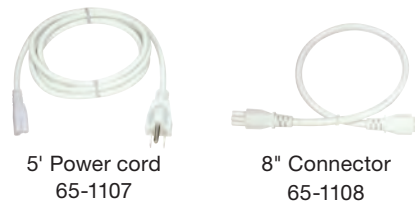
- 4' Stand-alone model
- 1', 2', and 4' Connectable models (Includes male/male butt connector)
- Ceiling or wall mount
- Maintenance free—no bulb to change
- Consistent, even light distribution
- 120/277V, 50/60Hz
- 90 CRI
- Ultra-slim design
- Damp location
- 4000K
- Long Life—50,000 hours
- ENERGY STAR certified
- 5 Year warranty

Maximum number of units that can be connected:

- 65-1102 - 27 units
- 65-1103 - 14 units
- 65-1104 - 9 units



## Accessories



## LED Strip Fixtures



Item Number	Size	W	Input Voltage	CCT	Lm	CRI (RA)	PF	Location	Installation	Linkable or Non	Life/Hrs.	UPC	Pack
65-1101	4FT	24	100-277	4000K	1800	90	0.9	Damp	surface mounting on ceiling or wall	Non Linkable	50K	045923511011	12/1
65-1102	1FT	12	120V	4000K	840	90	0.9	Damp	surface mounting on ceiling or wall	Linkable	50K	045923511028	12/1
65-1103	2FT	24	120V	4000K	1680	90	0.9	Damp	surface mounting on ceiling or wall	Linkable	50K	045923511035	12/1
65-1104	4FT	36	120V	4000K	2600	90	0.9	Damp	surface mounting on ceiling or wall	Linkable	50K	045923511042	12/1

† Complies with NEC code 410.16

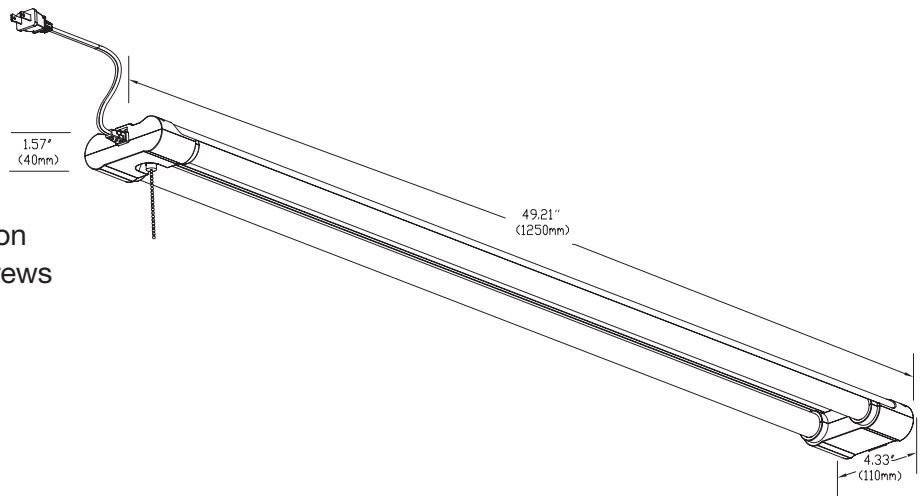
# LED Linkable shop light

## Applications:

- Residential/light commercial
- Workshops
- Garages
- Laundry rooms
- Sheds

## Features:

- White finish
- 42W LED light source for efficient operation
- Hanging or flush mount installation
- 6" Hanging cables, mounting screws and drywall anchors included
- Linkable up to 4 fixtures
- On/off pull chain
- Easy installation
- Damp location rated
- 120V
- Long life—50,000 hours
- cETLus
- ENERGY STAR certified
- 5 Year warranty



Item Number	Lamp Description	W	V	CRI	CCT	Lm	Life/Hrs.	UPC
62-928	42 watt; LED Shop Light; White Finish; 4000K	42	120V	80	4000K	4200	50K	045923680120

# Glamour LED flush fixtures

Even, consistent light.  
Low maintenance.  
High efficiency.

## Applications

- Kitchen
- Bathroom
- Hallway
- Office
- Utility

## Features

- Dimmable
- 3000K
- Long Life—30,000 hours
- Durable white polymer cover
- Damp location
- 3 Year warranty



## Glamour LED Flush Fixtures



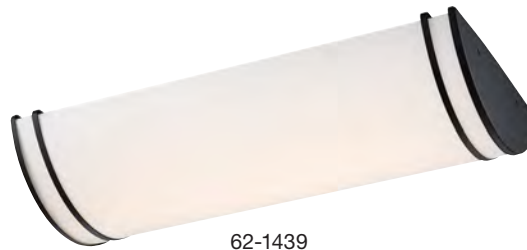
Item Number	Lamp Description	W	V	CRI	CCT	Lm	Life/Hrs.	Dimensions	UPC	Pack
62-1035	LED GLAMOUR BN 10" FLUSH - Brushed Nickel	18	120	90	3000K	1440	30K	10" W x 3 3/4" H	045923410352	6
62-1036	LED GLAMOUR BN 13" FLUSH - Brushed Nickel	25	120	90	3000K	2000	30K	13" W x 3 3/4" H	045923410369	6
62-1037	LED GLAMOUR BN 17" FLUSH - Brushed Nickel	25	120	90	3000K	2000	30K	17" W x 3 3/4" H	045923410376	4
62-1038	LED GLAMOUR BN 24" FLUSH - Brushed Nickel	39	120	90	3000K	3120	30K	24" W x 3 3/4" H	045923410383	2
62-1041	LED GLAMOUR BN 32" OVAL - Brushed Nickel	52	120	90	3000K	4160	30K	32 1/2" L x 18" W x 4" H	045923410413	1
62-1435	LED GLAMOUR BN 10" FLUSH - Black	18	120	90	3000K	1440	30K	10" W x 3 3/4" H	045923680205	6
62-1436	LED GLAMOUR BN 13" FLUSH - Black	25	120	90	3000K	2000	30K	13" W x 3 3/4" H	045923680212	6
62-1437	LED GLAMOUR BN 17" FLUSH - Black	25	120	90	3000K	2000	30K	17" W x 3 3/4" H	045923680229	4
62-1438	LED GLAMOUR BN 24" FLUSH - Black	39	120	90	3000K	3120	30K	24" W x 3 3/4" H	045923680236	2
62-1441	LED GLAMOUR BN 32" OVAL - Black	52	120	90	3000K	4160	30K	32 1/2" L x 18" W x 4" H	045923680267	1



62-1039



62-1040



62-1439



62-1440

# Glamour linear LED ceiling fixtures

Even, consistent light.  
Low maintenance.  
High efficiency.

## Applications

- Kitchen
- Bathroom
- Hallway
- Office
- Utility

## Features

- Dimmable
- 3000K
- Long Life—30,000 hours
- Durable white polymer lens
- Damp location
- 3 Year warranty

## Glamour Linear LED Ceiling Fixtures



Item Number	Lamp Description	W	V	CRI	CCT	Lm	Life/Hrs.	Dimensions	UPC	Pack
62-1039	LED GLAMOUR BN 25" LINEAR - Brushed Nickel	26	120	90	3000K	2080	30K	25" L x 12" W x 4 1/2" H	045923410390	3
62-1040	LED GLAMOUR BN 50" LINEAR - Brushed Nickel	52	120	90	3000K	4160	30K	50" L x 12" W x 4 1/2" H	045923410406	1
62-1439	LED GLAMOUR BN 25" LINEAR - Black	26	120	90	3000K	2080	30K	25" L x 12" W x 4 1/2" H	045923680243	3
62-1440	LED GLAMOUR BN 50" LINEAR - Black	52	120	90	3000K	4160	30K	50" L x 12" W x 4 1/2" H	045923680250	1



Glamour



Brushed Nickel Finish  
62-1045 shown



Black Finish  
62-1445 shown

# Glamour & Crispo LED wall sconces

Even, consistent light.  
Low maintenance.  
High efficiency.

Applications

- Kitchen
- Bathroom
- Hallway
- Office

Features

- Dimmable
- 10 Watts - 75 Watt equivalent
- 3000K
- Long Life—30,000 hours
- Durable white polymer cover
- Damp location
- ADA Compliant
- 3 Year warranty

Crispo



White Finish  
62-1046 shown



Glamour & Crispo LED Wall Sconces



Item Number	Lamp Description	W	V	CRI	CCT	Lm	Life/Hrs.	Dimensions	UPC	Pack
62-1045	LED GLAMOUR BN WALL SCONCE - Brushed Nickel	10	120	90	3000K	800	30K	9" W x 10 1/2" H x 4" Ext.	045923410451	1
62-1445	LED GLAMOUR BN WALL SCONCE - Black	10	120	90	3000K	800	30K	9" W x 10 1/2" H x 4" Ext.	045923680304	1
62-1046	LED CRISPO WHITE WALL SCONCE	10	120	90	3000K	800	30K	9" W x 10 1/2" H x 4" Ext.	045923410468	1

# Glamour & Crispo LED vanity fixtures

Even, consistent light.  
Low maintenance.  
High efficiency.

## Applications

- Kitchen
- Bathroom
- Hallway
- Office

## Features

- Dimmable
- 3000K
- Long Life—30,000 hours
- Durable white polymer lens
- Damp location
- ADA compliant
- 3 Year warranty

## Glamour



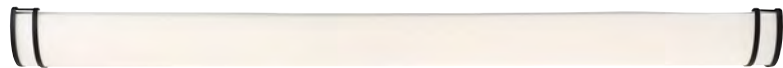
Brushed Nickel Finish  
62-1031 shown



Brushed Nickel Finish  
62-1032 shown



Black Finish  
62-1431 shown



Black Finish  
62-1432 shown

## Crispo



White Finish  
62-1033 shown



White Finish  
62-1034 shown

## Glamour & Crispo LED Vanity Fixtures



Item Number	Lamp Description	W	V	CRI	CCT	Lm	Life/Hrs.	Dimensions	UPC	Pack
62-1031	LED GLAMOUR 25" BN VANITY	26	120	90	3000K	2080	30K	25" W x 5 1/2" H x 3" Ext.	045923410314	6
62-1032	LED GLAMOUR 49" BN VANITY	52	120	90	3000K	4160	30K	49" W x 5 1/2" H x 3" Ext.	045923410321	4
62-1431	LED GLAMOUR 25" BK VANITY	26	120	90	3000K	2080	30K	25" W x 5 1/2" H x 3" Ext.	045923680182	6
62-1432	LED GLAMOUR 49" BK VANITY	52	120	90	3000K	4160	30K	49" W x 5 1/2" H x 3" Ext.	045923680199	4
62-1033	LED CRISPO 25" WHITE VANITY	26	120	90	3000K	2080	30K	25" W x 5 1/2" H x 3" Ext.	045923410338	6
62-1034	LED CRISPO 49" WHITE VANITY	52	120	90	3000K	4160	30K	49" W x 5 1/2" H x 3" Ext.	045923410345	4

# Link LED fixtures

Even, consistent light.  
Low maintenance.  
High efficiency.

## Applications

- Kitchen
- Bathroom
- Hallway
- Office

## Features

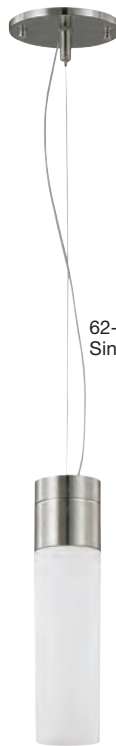
- Dimmable
- 3000K
- 90 CRI
- Long Life—30,000 hours
- Damp location
- ADA compliant wall sconces
- 3 Year warranty



62-2936  
Double Tube Wall Sconce  
Approved for Vertical or  
Horizontal Mounting



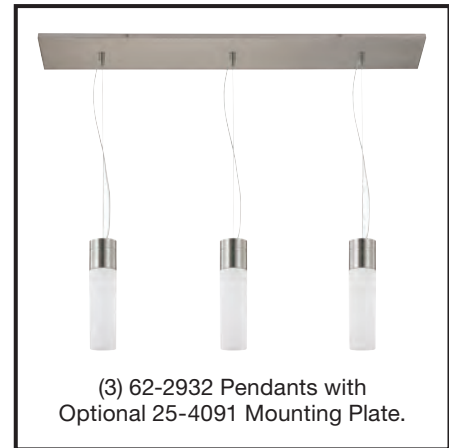
62-2934  
Single Tube Wall Sconce



62-2932  
Single Tube Pendant



25-4091 Optional mounting plate



(3) 62-2932 Pendants with  
Optional 25-4091 Mounting Plate.

## Link LED Fixtures



Item Number	Lamp Description	Finish	W	Bulb Type	CRI	Lm	Dimensions	UPC	Pack
62-2936	Double Tube Wall Sconce	Br. Nickel/Satin White Glass	24	LED Mod.	90	1640	4½"W x 21"H x 3 ¾" Ext.	045923679360	1/8
62-2934	Single Tube Wall Sconce	Br. Nickel/Satin White Glass	12	LED Mod.	90	820	4½"W x 11½"H x 3 ¾" Ext.	045923679346	1/12
62-2932	Single Tube Pendant	Br. Nickel/Satin White Glass	12	LED Mod.	90	820	2¾"H"W x 10¾"H, Wire 12'	045923679322	1/8
25-4091	3-Light Canopy Mounting Plate	Br. Nickel					36"W x 5½"H	045923240911	1



# Button round LED flush fixtures

Even, consistent light.  
Low maintenance.  
High efficiency.

## Applications

- Kitchen
- Bathroom
- Hallway
- Office

## Features

- Dimmable
- 3000K
- Long Life—30,000 hours
- Satin White glass
- Damp location
- 3 Year warranty



62-1042



62-1442



62-1043



62-1443



62-1044



62-1444

## Button Round LED Flush Fixtures



Item Number	Lamp Description	W	V	CRI	CCT	Lm	Life/Hrs.	Dimensions	UPC	Pack
62-1042	LED BUTTON BN 11" FLUSH - BRUSHED NICKEL	18	120	90	3000K	1440	30K	11" W x 3 7/8" H	045923410420	4
62-1043	LED BUTTON BN 13" FLUSH - BRUSHED NICKEL	18	120	90	3000K	1440	30K	13 3/8" W x 4" H	045923410437	3
62-1044	LED BUTTON BN 17" FLUSH - BRUSHED NICKEL	25	120	90	3000K	2000	30K	17" W x 5" H	045923410444	3
62-1442	LED BUTTON BN 11" FLUSH - BLACK	18	120	90	3000K	1440	30K	11" W x 3 7/8" H	045923680274	4
62-1443	LED BUTTON BN 13" FLUSH - BLACK	18	120	90	3000K	1440	30K	13 3/8" W x 4" H	045923680281	3
62-1444	LED BUTTON BN 17" FLUSH - BLACK	25	120	90	3000K	2000	30K	17" W x 5" H	045923680298	3

# 12" and 14" Range voltage operation (120-277V) LED flush fixtures

90CRI, 3000K

## Applications

- Kitchens
- Baths
- Hallways
- Closets†
- Office

## Features

- 75W and 100W equivalent
- 18W and 24W - over 75% energy savings
- 120-277V, 50/60Hz
- 90 CRI
- Dimmable (120V only)\*
- Damp location
- Frosted Twist & Lock Glass
- Long Life—50,000 hours
- 5 Year warranty



Brushed Nickel Finish Shown  
62-786 12" / 62-788 14"



Mahogany Bronze Finish Shown  
62-787 12" / 62-789 14"



LED module

UTILITY

## LED Flush Mount Fixtures



Item Number	Description	W	V	CRI	CCT	Lm	Beam	Dimension	Life/Hrs.	UPC	Pack
62-786*	12" LED Flush Mount / Brushed Nickel	18	120-277	90	3000K	1080	90°	11 3/4" W x 4 1/2" H	50K	045923327865	4/1
62-787*	12" LED Flush Mount / Mahogany Bronze	18	120-277	90	3000K	1080	90°	11 3/4" W x 4 1/2" H	50K	045923327872	4/1
62-788*	14" LED Flush Mount / Brushed Nickel	24	120-277	90	3000K	1440	90°	14" W x 5 1/2" H	50K	045923327889	4/1
62-789*	14" LED Flush Mount / Mahogany Bronze	24	120-277	90	3000K	1440	90°	14" W x 5 1/2" H	50K	045923327896	4/1

† Complies with NEC code 410.16

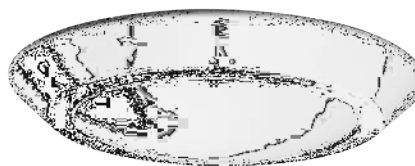
# 7" and 10" LED disk light

## Applications

- Kitchen
- Bathroom
- Hallway
- Closets†
- Office

## Features

- 10.5 Watts (62-1161, 62-1162, 62-1163, 62-1164)  
60 Watt equivalent
- 12 Watts (62-1165, 62-1166, 62-1167, 62-1168)  
75 Watt equivalent
- 90 CRI
- Dimmable
- 5 Year warranty
- Long life—50,000 hours
- Durable white polymer lens
- cETLus damp location



62-1161 - 7"  
White finish



Brushed Nickel Finish  
62-1162 7" Shown



Mahogany Bronze Finish  
62-1163 7" Shown

## LED Disk Lights



Item Number	Description	W	V	CRI	CCT	Lm	Light Source	Finish	Life/Hrs.	Dimensions	UPC	Pack
62-1161	7" LED disk light	10.5	120	90	3000K	578	LED Module	White	50K	7 1/16" W x 1 1/16" H	045923639715	12/1
62-1162	7" LED disk light	10.5	120	90	3000K	578	LED Module	Brushed Nickel	50K	7 1/16" W x 1 1/16" H	045923639722	12/1
62-1163	7" LED disk light	10.5	120	90	3000K	578	LED Module	Mahogany Bronze	50K	7 1/16" W x 1 1/16" H	045923639739	12/1
62-1164	7" LED disk light	10.5	120	90	4000K	578	LED Module	White	50K	7 1/16" W x 1 1/16" H	045923639746	12/1
62-1165	10" LED disk light	12	120	90	3000K	700	LED Module	White	50K	9 13/16" W x 1 7/16" H	045923639753	12/1
62-1166	10" LED disk light	12	120	90	3000K	700	LED Module	Brushed Nickel	50K	9 13/16" W x 1 7/16" H	045923639760	12/1
62-1167	10" LED disk light	12	120	90	3000K	700	LED Module	Mahogany Bronze	50K	9 13/16" W x 1 7/16" H	045923639777	12/1
62-1168	10" LED disk light	12	120	90	4000K	700	LED Module	White	50K	9 13/16" W x 1 7/16" H	045923639784	12/1

† Complies with NEC code 410.16

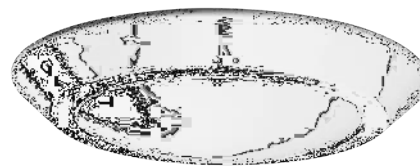
# 7" and 10" High lumen LED disk light

## Applications

- Kitchen
- Bathroom
- Hallway
- Closets†
- Office

## Features

- 16.5 Watts = 75 Watt equivalent
- 21.5 Watts = 100 Watt equivalent
- 90 CRI
- Dimmable
- Long life—50,000 hours
- Durable white polymer lens
- cETLus damp location
- 5 Year warranty



White Finish  
62-1261 7" Shown



Brushed Nickel Finish  
62-1262 7" Shown



Mahogany Bronze Finish  
62-1267 10" Shown

## LED Disk Lights



Item Number	Description	W	V	Light Source	CCT	Lm	CRI	Finish	Life/Hrs.	UPC	Pack/Mstr.
62-1261**	7" LED disk light	16.5	120	LED Module	3000K	1000	>90	White	50K	045923622144	12
62-1262**	7" LED disk light	16.5	120	LED Module	3000K	1000	>90	Brushed Nickel	50K	045923622151	12
62-1263**	7" LED disk light	16.5	120	LED Module	3000K	1000	>90	Mahogany Bronze	50K	045923622168	12
62-1264**	7" LED disk light	16.5	120	LED Module	4000K	1050	>90	White	50K	045923622175	12
62-1265	10" LED disk light	21.5	120	LED Module	3000K	1200	>90	White	50K	045923622182	12
62-1266	10" LED disk light	21.5	120	LED Module	3000K	1200	>90	Brushed Nickel	50K	045923622199	12
62-1267	10" LED disk light	21.5	120	LED Module	3000K	1200	>90	Mahogany Bronze	50K	045923622205	12
62-1268	10" LED disk light	21.5	120	LED Module	4000K	1260	>90	White	50K	045923622212	12

† Complies with NEC code 410.16

# 11", 14" and 19" LED flush mount round fixtures with or without occupancy sensor



## Applications

- Kitchen
- Bathroom
- Hallway
- Closets†
- Office

## Features

- Dimmable (without sensor only)
- 11" – 75 Watt equivalent
- 14" – 100 Watt equivalent
- 19" – 150 Watt equivalent
- CCT: 3000K
- 90 CRI
- 5 Year warranty
- Long life – 50,000 hours
- Durable white cover (PMMA)
- cETLus damp location



LED module delivers even light distribution



LED module and internal occupancy sensor (Functions through the outer lens)

## Occupancy Sensor Specifications

- Input current:  $\geq 25\text{mA}$
- 8 pin DIP switch setting, multiple options to meet different customer demands
- Detection range up to 10m in diameter
- Mounting height: 3-6m
- Operation temperature:  $-20^{\circ}\text{C} \sim +70^{\circ}\text{C}$
- RoHs compliant

## LED flush mount fixtures



Item Number	Description	W	V	Light Source	CCT	Lumens	CRI	Life/Hours	Dimensions	UPC
62-745*	11" LED flush mount	16	120	LED Module	3000K	990**	>90	50,000	11 x 11 x 3 1/2	045923517457
62-746*	14" LED flush mount	20	120	LED Module	3000K	1230**	>90	50,000	14 x 14 x 3 1/2	045923517464
62-765*	19" LED flush mount	32	120	LED Module	3000K	1950**	>90	50,000	19 x 19 x 4 3/4	045923517655
62-747*	11" LED flush mount with occupancy sensor	16.5	120	LED Module	3000K	990**	>90	50,000	11 x 11 x 3 1/2	045923517471
62-748*	14" LED flush mount with occupancy sensor	20.5	120	LED Module	3000K	1230**	>90	50,000	14 x 14 x 3 1/2	045923517488
62-766*	19" LED flush mount with occupancy sensor	32.5	120	LED Module	3000K	1950**	>90	50,000	19 x 19 x 4 3/4	045923517662

\*\*Lumens measured at LED source † Complies with NEC Code 410.16

# 11" and 14" 120-277V 0-10V Dimming

## Applications

- Kitchen
- Bathroom
- Hallway
- Closet
- Office

## Features

- 12.5 Watts (62-791)  
75 Watt equivalent
- 16.5 Watts (62-792)  
100 Watt equivalent
- 0-10V Dimming
- CCT: 3000K
- CRI: >90
- 5 Year warranty
- Long life – 50,000 hours
- Durable white polymer cover
- cETLus damp location



62-79111" LED flush mount fixture



62-79214" LED flush mount fixture



LED module

UTILITY

## LED flush mount fixtures



Item Number	Description	Finish	Cover	Watts	Light Source	cETLus	CCT	Lumens	CRI	Hours	Width	Height
62-791	11" LED flush mount	White	Acrylic	12.5	LED Module	Damp	3000K	875*	>90	50,000	11 5/8"	3 1/8"
62-792	14" LED flush mount	White	Acrylic	16.5	LED Module	Damp	3000K	1245*	>90	50,000	14"	3 1/2"

\*\*Lumens measured at LED source



# 11" and 14" LED flush mount square fixtures with or without occupancy sensor

## Applications

- Kitchen
- Bathroom
- Hallway
- Closets†
- Office

## Features

- Dimmable (without sensor only)
- 11" – 75 Watt equivalent
- 14" – 100 Watt equivalent
- CCT: 3000K
- 90 CRI
- 5 Year warranty
- Long life – 50,000 hours
- Durable white cover (PMMA)
- cETLus damp location



62-1095, 62-1097  
11" LED flush mount fixture



62-1096, 62-1098  
14" LED flush mount fixture



LED module delivers even light distribution



LED module and internal occupancy sensor (Functions through the outer lens) Model 62-1097, 62-1098

## Occupancy Sensor Specifications

- Input current:  $\geq 25\text{mA}$
- 8 pin DIP switch setting, multiple options to meet different customer demands
- Detection range up to 10m in diameter
- Mounting height: 3~6m
- Operation temperature:  $-20^{\circ}\text{C} \sim +70^{\circ}\text{C}$
- RoHs compliant

## LED flush mount fixtures



Item Number	Descriptions	W	V	Light Source	CCT	Lumens	CRI	Life/Hours	Dimensions	UPC
62-1095*	11" LED flush mount	16	120	LED Module	3000K	990**	>90	50,000	11 x 11 x 3 1/4	045923510953
62-1096*	14" LED flush mount	20	120	LED Module	3000K	1230**	>90	50,000	14 x 14 x 3 1/4	045923510960
62-1097*	11" LED flush mount with occupancy sensor	16.5	120	LED Module	3000K	990**	>90	50,000	11 x 11 x 3 1/4	045923510977
62-1098*	14" LED flush mount with occupancy sensor	20.5	120	LED Module	3000K	1230**	>90	50,000	14 x 14 x 3 1/4	045923510984

\*Lumens measured at LED source †Complies with NEC Code 410.16

# 11" and 14" Range voltage operation (120-277V) LED flush fixtures

90CRI, 3000K

## Applications

- Kitchens
- Baths
- Hallways
- Closets†
- Office

## 11" 62-795

### Features

- 11" Flush mount fixture
- 12.5 Watts—over 80% energy savings
- 120/277V, 50/60Hz
- Dimmable (120V only)\*
- Damp location
- Durable white cover (PMMA)



62-795  
11" LED flush mount fixture

## 14" 62-796

### Features

- 14" Flush mount fixture
- 16.5 Watts—over 80% energy savings
- 120/277V, 50/60Hz
- Dimmable (120V only)\*
- Damp location
- Durable white cover (PMMA)



62-796  
14" LED flush mount fixture

UTILITY

## LED Flush Mount Fixtures



Item Number	Lamp Description	W	V	CRI	CCT	Lm	Bm	Dimensions	Life/Hrs.	UPC	Pack
62-795	11" LED Flush Mount	12.5	120-277	90	3000K	891	90°	11 5/8" W x 3 1/8" H	40K	045923327957	6/1
62-796	14" LED Flush Mount	16.5	120-277	90	3000K	1120	90°	14" W x 3 1/2" H	40K	045923327964	4/1

†Complies with NEC Code 410.16

# 14" Range voltage operation (120-277V) LED flush fixtures with sensors

90CRI, 3000K

## Applications

- Kitchens
- Baths
- Hallways
- Closets†
- Office

## 14" Occupancy sensor

### 62-797 Features

- Occupancy Sensor—provides automatic ON/OFF switching
- 14" Flush mount fixture
- 16.5 Watts—over 80% energy savings
- 120/277V, 50/60Hz
- Damp location
- Durable polymer cover



## 14" Vacancy sensor

### 62-798 Features

- 24/7 Sensor step-down operation: Unoccupied, 50% light / occupied, 100% light (Always on)
- 14" Flush mount fixture
- 16.5 Watts—over 80% energy savings
- 120/277V, 50/60Hz
- Damp location
- Durable white cover (PMMA)

## LED Flush Mount Fixtures



Item Number	Lamp Description	W	V	CRI	CCT	Lm	Bm	Dimensions	Life/Hrs.	UPC	Pack
62-797	14" LED Flush Mount w/ occupancy sensor	16.5	120-277	90	3000K	960	90°	14" W x 3 1/2" H	40K	045923327971	4/1
62-798	14" LED Flush Mount w/ step down sensor	16.5	120-277	90	3000K	960	90°	14" W x 3 1/2" H	40K	045923327988	4/1

† Complies with NEC code 410.16

# 14" LED flush mount

## Emergency battery back-up ready (EMR)

### Applications

- Kitchens
- Bedrooms
- Baths
- Hallways
- Stairwells
- Office

### Features

- 100W equivalent
- 20 Watts—over 80% energy savings
- 120–277V, 50/60Hz
- High color rendition (CRI 90+)
- Dimmable – 120V
- Dimming range: 20% -100%
- Damp location\*\*
- Operating temperature: -17°C to 45°C
- White finish with durable white cover (PMMA)
- 5 Year warranty

### Dimensions

Width: 14", Height: 4 3/4"

Battery back-up ready (EMR).  
Indicator light and test button  
Included with battery back-up disk  
(sold separately).

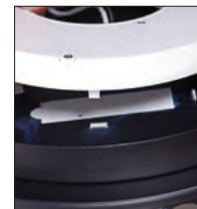


Integrated circular LED module for consistency and dependability.

### Emergency battery back-up disk (not included)



The emergency battery back-up disk, Satco model S9299 (120V) or Satco model S9780 (277V) (not included), easily mounts inside the pan of this fixture (below).  
S9299  
S9780



Replacement battery -  
26F18650  
2600 mAh, 5.2A

### LED Flush Mount Utility Fixtures



Item Number	Description	W	V	Light Source	CCT	Lm	CRI	Life/Hrs.	UPC	Pack
62-991*	20W/LED/14"UTILITY/30K/WH	20	120-277	LED Module	3000K	1300	90	50K	045923329913	4/1

\*\*Not suitable for damp locations if used with optional battery back-up module.

# LED flush mount emergency battery back-up ready (EMR)

EMR fixtures by Nuvo Lighting: Efficiency, safety and style all in one package.

This all-new collection of flush mount fixture combines the latest in LED technologies, current safety standards and adds clean, contemporary design to create one of the most advanced fixtures in the industry. Each fixture is manufactured to easily accept an emergency battery back-up disk (sold separately), which quickly transforms these attractive flush fixtures into functional emergency lighting devices. These fixtures allow safety specifications to be met without sacrificing design or efficiency.

## Features

- 100 Watt equivalent
- 20 Watts—over 80% energy savings
- 120-277V, 50/60Hz
- 90 CRI
- Dimmable—120V only
- Dimming range 20%-100%
- Damp locations\*
- Operating temperature -17°C to 45°C
- 5 Year warranty



## LED Flush Mount Utility Fixtures



Item Number	Description	W	Finish	Light Source	CCT	Lm	CRI	Life/Hrs.	Dimensions	UPC	Pack
62-971	20W/LED/3000K/90CRI/120-277V	20	Brushed Nickel	LED Module	3000K	1660	90	40K	15" W x 4" H	045923329715	2/1
62-972	20W/LED/3000K/90CRI/120-277V	20	Aged Bronze	LED Module	3000K	1660	90	40K	15" W x 4" H	045923329722	2/1
62-975	20W/LED/3000K/90CRI/120-277V	20	Polished Nickel	LED Module	3000K	1660	90	40K	14" W x 4 5/8" H	045923329753	2/1
62-976	20W/LED/3000K/90CRI/120-277V	20	Aged Bronze	LED Module	3000K	1660	90	40K	14" W x 4 5/8" H	045923329760	2/1
62-977	20W/LED/3000K/90CRI/120-277V	20	Brushed Nickel	LED Module	3000K	1660	90	40K	14" W x 5 3/8" H	045923329777	2/1
62-978	20W/LED/3000K/90CRI/120-277V	20	Aged Bronze	LED Module	3000K	1660	90	40K	14" W x 5 3/8" H	045923329784	2/1
62-981	20W/LED/3000K/90CRI/120-277V	20	Polished Nickel	LED Module	3000K	1660	90	40K	15" W x 4 1/2" H	045923329814	2/1
62-982	20W/LED/3000K/90CRI/120-277V	20	Aged Bronze	LED Module	3000K	1660	90	40K	15" W x 4 1/2" H	045923329821	2/1

\*Not suitable for damp location if used with optional battery backup disk.



The emergency battery back-up disk, Satco model S9299 (120V) or Satco model S9780 (277V) (not included), easily mounts inside the pan of these fixtures instantly making them emergency lighting compliant. Battery back-up disk includes both the test button and indicator light. Batteries are easily accessible and included.

- Rechargeable batteries
- 90 minute run time



Remove the logo plate to mount the battery back-up indicator light and test button (included with battery back-up disk, sold separately).

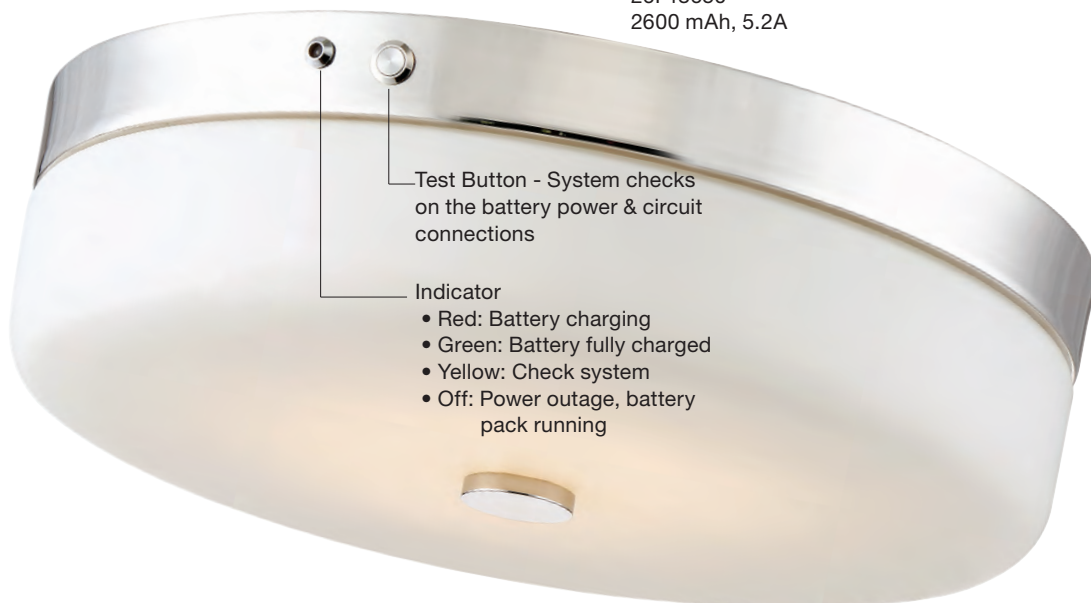


Battery back-up disk (sold separately)



S9299 - 120V Battery back-up disk  
S9780 - 277V Battery back-up disk

Replacement battery -  
26F18650  
2600 mAh, 5.2A



Test Button - System checks on the battery power & circuit connections

Indicator

- Red: Battery charging
- Green: Battery fully charged
- Yellow: Check system
- Off: Power outage, battery pack running

UTILITY





## Commercial and industrial, indoor/outdoor architectural LED lighting.

Building codes everywhere set minimum safety standards for the lighting of virtually every structure. The Nuvo architectural LED line will certainly meet those standards, but do it more efficiently. LED lighting can save up to 80% on utility costs versus older technologies while providing the lighting needed for commercial building exteriors, parking garages, walkways, entryways, warehouses—indoors or out. Nuvo architectural LED fixtures are keeping venues everywhere safe and efficiently lit using the best electrical components, materials and overall fixture engineering available, even in the harshest conditions.

# 24W LED dual head security light

With or without motion sensor

## Applications

- Patio lighting
- Entrance lighting
- Driveways
- Yards
- Walkways

## Features

- Bronze or white finish
- Dual die-cast head with clear plastic impact resistant lens
- Wall mounted recessed junction box required
- Meets all product safety standards
- Suitable for wet locations
- 3000K & 4000K options
- 75 CRI
- 50-70W MH Equivalent
- Operating temperature: -25°C to 40°C
- ENERGY STAR certified
- Long life—50,000 hours
- 5 Year warranty

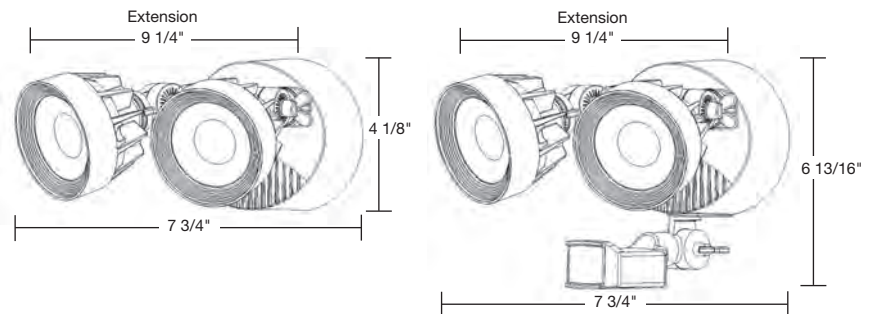
## Motion Sensor Specifications

- 1 Time setting: Min. 5 sec, Max. 9 min ± 1 min
- Detection angle: 180°
- Detection range: 12m (22~24)°C
- Light-control: 10LUX~2000LUX

65-094



65-107



## 24W LED Dual Head Security Light



WET LOCATION

Item Number	Lamp Description	W	V	Finish	CRI	CCT	Lm	Bm	Life/Hrs.	UPC	Pk./Mstr.
65-107	Dual Head Security Light	24	120-277	White	75	4000K	2000	180°	50K	045923671074	4
65-108	Dual Head Security Light w/Motion Sensor	24	120	White	75	4000K	2000	180°	50K	045923671081	4
65-093	Dual Head Security Light	24	120-277	Bronze	75	4000K	2000	180°	50K	045923630934	4
65-094	Dual Head Security Light w/Motion Sensor	24	120	Bronze	75	4000K	2000	180°	50K	045923630941	4
65-207	Dual Head Security Light	24	120-277	White	75	3000K	1950	180°	50K	045923662072	4
65-208	Dual Head Security Light w/Motion Sensor	24	120	White	75	3000K	1950	180°	50K	045923662089	4
65-203	Dual Head Security Light	24	120-277	Bronze	75	3000K	1950	180°	50K	045923662034	4
65-204	Dual Head Security Light w/Motion Sensor	24	120	Bronze	75	3000K	1950	180°	50K	045923662041	4

# 14W LED single head security light

With or without motion sensor

## Applications

- Patio lighting
- Entrance lighting
- Driveways
- Yards
- Walkways

## Features

- Bronze or white finish
- Single die-cast head with clear plastic impact resistant lens
- Wall mounted recessed junction box required
- Meets all product safety standards
- Suitable for wet locations
- 3000K & 4000K
- 75 CRI
- 50-70W MH Equivalent
- Operating temperature: -25°C to 40°C
- ENERGY STAR certified
- Long life—50,000 hours
- 5 Year warranty

## Motion Sensor Specifications

- 1 Time setting: Min. 5 sec, Max. 9 min ± 1 min
- Detection angle: 180°
- Detection range: 12m (22-24)°C
- Light-control: 10LUX-2000LUX



## 14W LED Single Head Security Light



Item Number	Lamp Description	W	V	Finish	CRI	CCT	Lm	Bm	Life/Hrs.	UPC	Pk./Mstr.
65-105	Single Head Security Light	14	120-277	White	75	4000K	1200	180°	50K	045923671050	4
65-106	Single Head Security Light w/Motion Sensor	14	120	White	75	4000K	1200	180°	50K	045923671067	4
65-091	Single Head Security Light	14	120-277	Bronze	75	4000K	1200	180°	50K	045923630910	4
65-092	Single Head Security Light w/Motion Sensor	14	120	Bronze	75	4000K	1200	180°	50K	045923630927	4
65-205	Single Head Security Light	14	120-277	White	75	3000K	1150	180°	50K	045923662058	4
65-206	Single Head Security Light w/Motion Sensor	14	120	White	75	3000K	1150	180°	50K	045923662065	4
65-201	Single Head Security Light	14	120-277	Bronze	75	3000K	1150	180°	50K	045923662010	4
65-202	Single Head Security Light w/Motion Sensor	14	120	Bronze	75	3000K	1150	180°	50K	045923662027	4

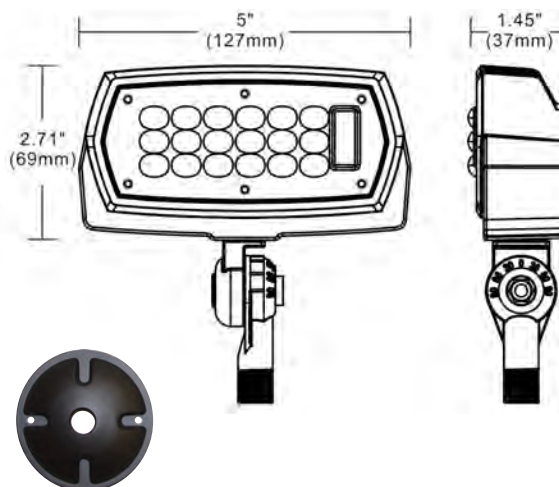
# LED small flood light

## Applications

- Landscapes
- Walkways
- Entryways
- Accent lighting

## Features

- 12W
- Bronze finish
- Rugged construction
- Die-cast aluminum body
- UV stabilized powder coated finish
- 120-277V, 50/60Hz
- -40°C Starting temperature
- 3000K, 4000K, 5000K options
- 70W MH equivalent
- Suitable for wet locations
- 54,000 Hour life
- 1/2" Thread knuckle mount
- 5 Year warranty



Wall mounting plate,  
Dark Bronze, sold separately.  
76-665 1 Light (shown)  
76-666 2 Light (also available)

## LED Small Flood Light



Item Number	Lamp Description	W	V	Finish	CCT	Lm	CRI	Life/Hrs.	UPC	Pack/Mstr.
65-121**	12W SMALL FLOOD LIGHT	12	120-277	Bronze	5000K	1474	80	54K	045923671210	24
65-124**	12W SMALL FLOOD LIGHT	12	120-277	Bronze	4000K	1463	80	54K	045923671241	24
65-127*	12W SMALL FLOOD LIGHT	12	120-277	Bronze	3000K	1475	80	54K	045923671272	24

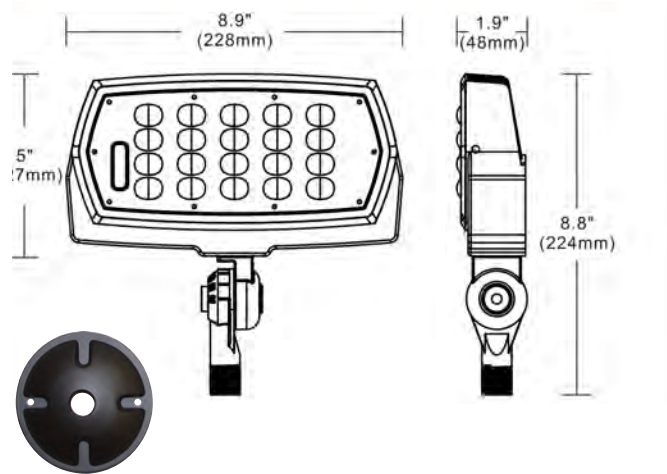
# LED large flood light

## Applications

- Landscapes
- Walkways
- Entryways
- Accent lighting

## Features

- Bronze finish
- Rugged construction
- Die-cast aluminum body
- UV stabilized powder coated finish
- 120-277V
- -40°C Starting temperature
- 3000K, 4000K, 5000K options
- 29W, 70-100W MH equivalent
- 48W, 150W MH equivalent
- Suitable for wet locations
- 54,000 Hour life
- 1/2" Thread knuckle mount
- 5 Year warranty



Wall mounting plate,  
Dark Bronze, sold separately.  
76-665 1 Light (shown)  
76-666 2 Light (also available)

## LED Large Flood Light



Item Number	Lamp Description	W	V	Finish	CCT	Lm	CRI	Life/Hrs.	UPC	Pack/Mstr.
65-122**	29W LARGE FLOOD LIGHT	29	120-277	Bronze	5000K	3307	80	54K	045923671227	12
65-123**	48W LARGE FLOOD LIGHT	48	120-277	Bronze	5000K	5562	80	54K	045923671234	12
65-125**	29W LARGE FLOOD LIGHT	29	120-277	Bronze	4000K	3218	80	54K	045923671258	12
65-126**	48W LARGE FLOOD LIGHT	48	120-277	Bronze	4000K	5562	80	54K	045923671265	12
65-128*	29W LARGE FLOOD LIGHT	29	120-277	Bronze	3000K	3455	80	54K	045923671289	12
65-129*	48W LARGE FLOOD LIGHT	48	120-277	Bronze	3000K	5675	80	54K	045923671296	12

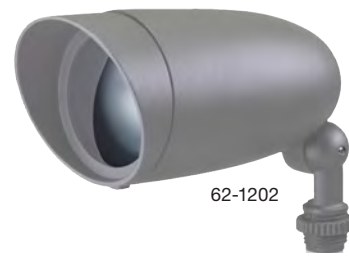




62-1200



62-1201

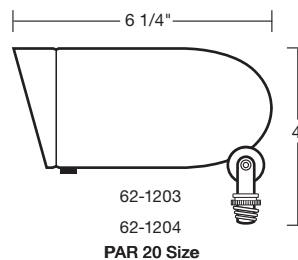


62-1202

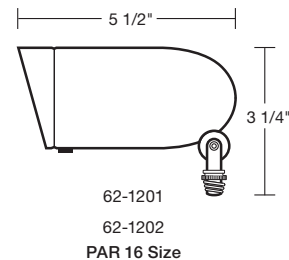
# LED Landscape Flood

## Features

- 6W and 9W versions
- Dark gray, light gray or bronze finish
- Rugged construction
- No transformer required
- Easy installation
- UV stabilized powder coated finish
- 120V
- 3000K
- Suitable for wet locations
- cULus
- 1/2" Threaded knuckle mount
- 50,000 Hour life
- 5 Year warranty

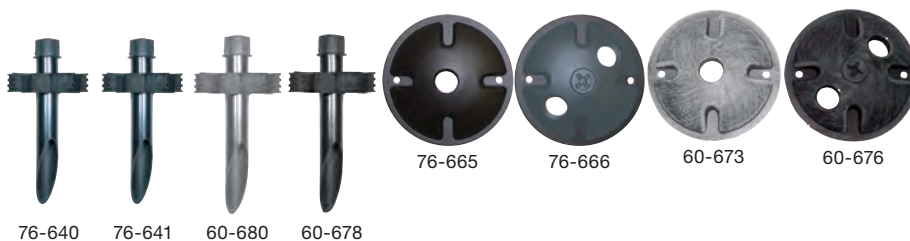


62-1203  
62-1204  
PAR 20 Size



62-1201  
62-1202  
PAR 16 Size

## Accessories



## LED Landscape Flood



Item Number	Lamp Description	W	V	Finish	CCT	Lm	CRI	Life/Hrs.	UPC	Pack
62-1200	6W LED LANDSCAPE FLOOD	6	120	BRONZE	3000K	640	80	50K	045923680168	12
62-1201	6W LED LANDSCAPE FLOOD	6	120	DARK GRAY	3000K	640	80	50K	045923512018	12
62-1202	6W LED LANDSCAPE FLOOD	6	120	LIGHT GRAY	3000K	640	80	50K	045923512025	12
62-1203	9W LED LANDSCAPE FLOOD	9	120	DARK GRAY	3000K	900	80	50K	045923512032	12
62-1204	9W LED LANDSCAPE FLOOD	9	120	LIGHT GRAY	3000K	900	80	50K	045923512049	12
62-1205	9W LED LANDSCAPE FLOOD	9	120	BRONZE	3000K	900	80	50K	045923680175	12

Accessories	Description	UPC	Pack
60-673	1 LIGHT DIE CAST MOUNTING PLATE	045923606731	96
60-674	2 LIGHT DIE CAST MOUNTING PLATE	045923606748	96
60-675	1 LIGHT DIE CAST MOUNTING PLATE	045923606755	96
60-676	2 LIGHT DIE CAST MOUNTING PLATE	045923606762	96
76-665	1 LIGHT DIE CAST MOUNTING POST	045923766657	24
76-666	2 LIGHT DIE CAST MOUNTING PLATE	045923766664	96
60-677	2" DIAMETER PVC MOUNTING POST	045923606779	24
60-678	3" DIAMETER PVC MOUNTING POST	045923606786	24
60-679	2" DIAMETER PVC MOUNTING POST	045923606793	24
60-680	3" DIAMETER PVC MOUNTING POST	045923606809	24
76-641	3" DIAMETER PVC MOUNTING POST	045923766411	24
76-640	2" DIAMETER PVC MOUNTING POST	045923766404	24



# 11W LED wall mount door/corridor fixture with or without photo control

Bronze Finish / Polycarbonate Diffuser

## Features

- DLC and UL listed
- IP65 Rated enclosure
- Die-cast aluminum body
- UV stabilized powder coated finish
- Quick mount installation
- Suitable for wet locations
- High impact polycarbonate diffuser
- Photo control option – On at dusk / Off at dawn
- 5 Year warranty

## Specifications

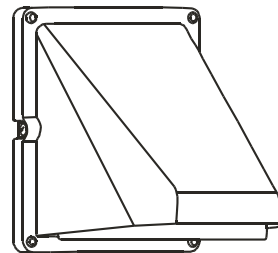
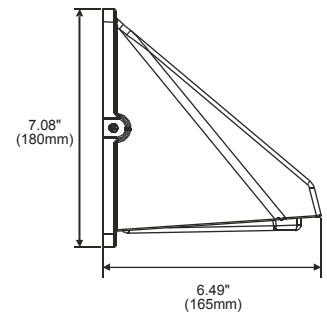
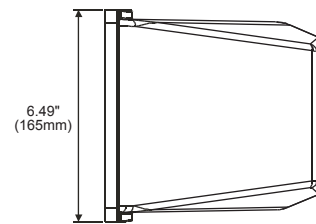
- 11W
- 828 Lumens\*
- 120-277V, 50/60Hz (without photocell)
- 5000K
- 75 CRI
- 50-70W MH Equivalent
- Operating temperature: -40°C to 40°C
- Long life—50,000 hours



65-050

65-051 with photocell

## Dimensions



## 11W LED Wall Mount



Item Number	Description	W	V	CRI	CCT	Total Lms*	Lms/Watt	Dimensions	Equivalent	UPC	Pack
65-050	LED WALL PACK 11W BRONZE/ POLYCARBONATE DIFFUSER	11.29	120-277	75	5000K	828	73	6 1/2" W x 7 1/16" H x 6 1/2" Ext.	50-70W MET. HAL.	045923630507	6/1
65-051	LED WALL PACK 11W - PHOTO CELL BRONZE/ POLYCARBONATE DIFFUSER	11.29	120	75	5000K	828	73	6 1/2" W x 7 1/16" H x 6 1/2" Ext.	50-70W MET. HAL.	045923630514	6/1

# 13W LED wall mount door/corridor fixture with or without photo control

Bronze Finish / Polycarbonate Diffuser

## Features

- UL listed
- IP65 Rated enclosure
- Die-cast aluminum body
- UV stabilized powder coated finish
- Quick mount installation
- Suitable for wet locations
- High impact polycarbonate diffuser
- Photo control option – On at dusk / Off at dawn
- 5 Year warranty

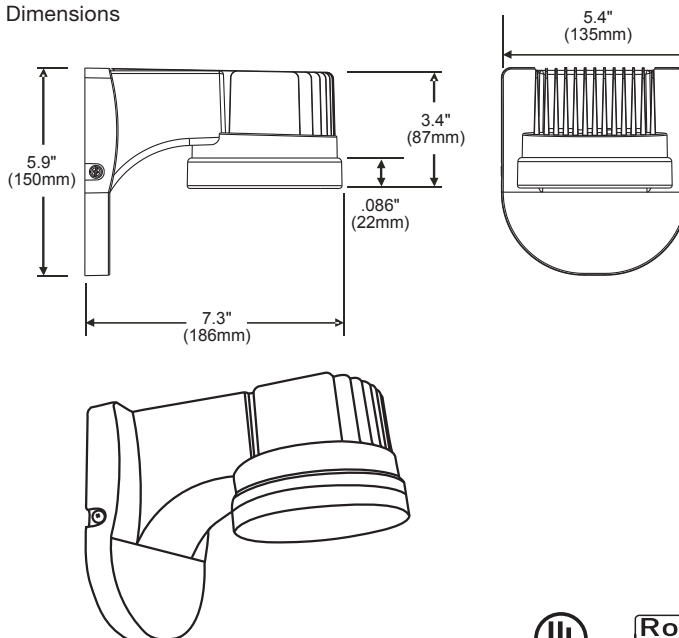
## Specifications

- 14W
- 761 Lumens\*
- 120-277V, 50/60Hz (without photocell)
- 5000K
- 75 CRI
- 50-70W MH Equivalent
- Operating temperature: -40°C to 40°C
- Long life—35,000 hours



65-052  
65-053 with photocell

## Dimensions



## 13W LED Wall Mount

Item Number	Description	W	V	CRI	CCT	Total Lms*	Lms/Watt	Dimensions	Equivalent	UPC	Pack
65-052	LED WALL PACK 14W BRONZE/ POLYCARBONATE DIFFUSER	13.3	120-277	75	5000K	761	57	5 3/8" W x 5 7/8" H x 7 5/16" Ext.	50-70W MET. HAL.	045923630521	6/1
65-053	LED WALL PACK 14W - PHOTO CELL BRONZE/ POLYCARBONATE DIFFUSER	13.3	120	75	5000K	761	57	5 3/8" W x 5 7/8" H x 7 5/16" Ext.	50-70W MET. HAL.	045923630538	6/1

# 13W LED wall pack with photo control

Bronze Finish / Prismatic Lens

## Features

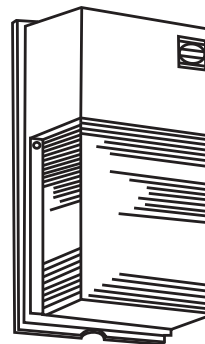
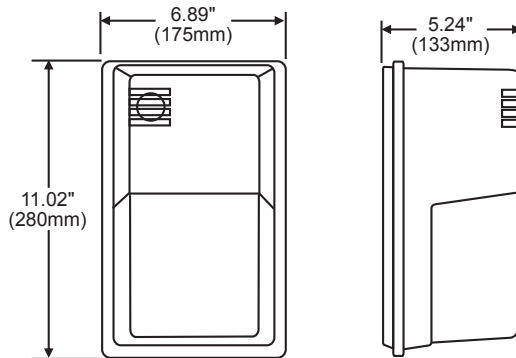
- UL listed
- Die-cast aluminum body
- UV stabilized powder coated finish
- Prismatic lens for uniform light distribution
- Suitable for wet locations
- Photo control – On at dusk / Off at dawn
- 5 Year warranty

## Specifications

- 13W
- 908 Lumens\*
- 120V
- 5000K
- 70 CRI
- 50-70W MH Equivalent
- Operating temperature: -40°C to 40°C
- Long life—42,000 hours



Dimensions



## 13W Wall Mount LED

Item Number	Description	W	V	CRI	CCT	Total Lms*	Lms/Watt	Dimensions	Equivalent	UPC	Pack
65-062	LED ENTRANCE LIGHT 13W - PHOTO CELL BRONZE/PRISMATIC LENS	13	120	70	5000K	908	58	6 7/8" W x 11" H x 5 1/4" Ext.	50-70W MET. HAL.	045923630620	6/1

# 26W LED wall pack

Bronze Finish / Prismatic Lens

### Features

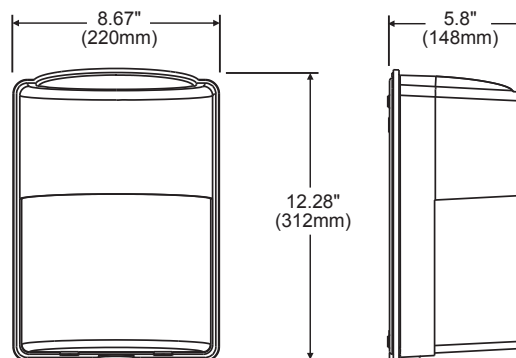
- UL listed
- Die-cast aluminum body
- UV stabilized powder coated finish
- Prismatic lens for uniform light distribution
- Suitable for wet locations
- 5 Year warranty

### Specifications

- 26W
- 1691 Lumens\*
- 120-277V, 50/60Hz
- 5000K
- 70 CRI
- 70-100W MH Equivalent
- Operating temperature: -40°C to 40°C
- Long life—35,000 hours



Dimensions



### 26W Wall Mount LED



Item Number	Description	W	V	CRI	CCT	Total Lms*	Lms/Watt	Dimensions	Equivalent	UPC	Pack
65-063	LED ENTRANCE LIGHT 26W BRONZE/PRISMATIC LENS	26	120-277	70	5000K	1691	65	8 1/16" W x 12 1/4" H x 5 1/16" Ext.	70-100W MET. HAL.	045923630637	6/1

# 20W LED adjustable wall pack with or without photo control

Bronze Finish

## Features

- DLC and ETL Listed
- IP65 Rated enclosure
- Die cast aluminum housing with hinged front frame
- Suitable for wet locations
- Enhanced security photocell option – On at dusk / Off at dawn
- Adjustable fixture head angle (0-90°)
- 5 Year warranty

## Specifications

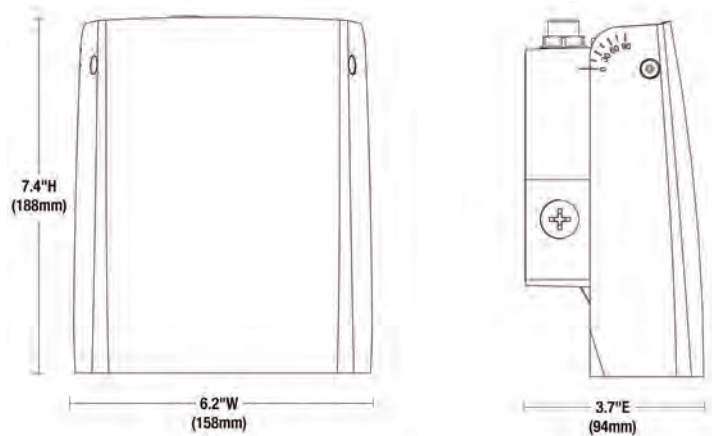
- 20W
- 1800 Lumens\*
- 120-277V, 50/60Hz
- 5000K
- 75 CRI
- 70-100W MH Equivalent
- Operating temperature: -25°C to 40°C
- Long life—50,000 hours



65-101

65-102 with photocell

## Dimensions



## 20W LED Wall Mount



Item Number	Description	W	V	CRI	CCT	Total Lms*	Lms/Watt	Dimensions	Equivalent	UPC	Pack
65-101	LED ADJUSTABLE WALL PACK 20W BRONZE	20	120-277	75	5000K	1800	90	6 3/16" W x 7 3/8" H x 3 1/16" Ext.	70-100W MET. HAL.	045923671012	8/1
65-102	LED ADJUSTABLE WALL PACK 20W BRONZE WITH PHOTO CELL	20	120	75	5000K	1800	90	6 3/16" W x 7 3/8" H x 3 1/16" Ext.	70-100W MET. HAL.	045923671029	8/1

# 30W LED adjustable wall pack with or without photo control

Bronze Finish

## Features

- ETL Listed
- IP65 Rated enclosure
- Die-cast aluminum housing with hinged front frame
- Suitable for wet locations
- Enhanced security photocell option – On at dusk / Off at dawn
- Adjustable fixture head angle (0-90°)
- 5 Year warranty

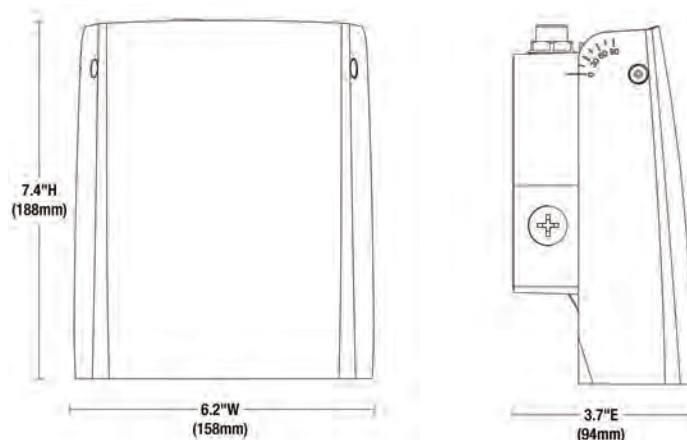
## Specifications

- 30W
- 2700 Lumens\*
- 120-277V, 50/60Hz
- 5000K
- 75 CRI
- 100-150W MH Equivalent
- Operating temperature: -25°C to 40°C
- Long life—50,000 hours



65-103  
65-104 with photocell

## Dimensions



## 30W LED Wall Mount



Item Number	Description	W	V	CRI	CCT	Total Lms*	Lms/Watt	Dimensions	Equivalent	UPC	Pack
65-103	LED ADJUSTABLE WALL PACK 30W BRONZE	30	120-277	75	5000K	2700	90	6 3/16" W x 7 3/8" H x 3 1/16" Ext.	100-150W MET. HAL.	045923671036	8/1
65-104	LED ADJUSTABLE WALL PACK 30W BRONZE WITH PHOTO CELL	30	120	75	5000K	2700	90	6 3/16" W x 7 3/8" H x 3 1/16" Ext.	100-150W MET. HAL.	045923671043	8/1



# 11W, 20W LED slim wall pack

## Bronze Finish

### Features

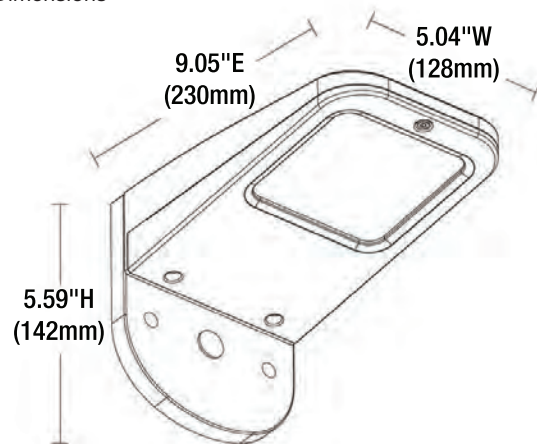
- DLC and ETL listed
- IP65 Rated enclosure
- Die-cast aluminum housing
- Suitable for wet locations
- 5 Year warranty

### Specifications

- 120-277V, 50/60Hz
- 5000K
- 75 CRI
- Operating temperature: -25°C to 40°C
- Long life—50,000 hours



Dimensions



### 11W LED Slim Wall Pack



Item Number	Description	W	V	CRI	CCT	Total Lms*	Lms/Watt	Dimensions	Equivalent	UPC	Pack
65-095	LED SLIM WALL PACK 11W BRONZE	11	120-277	75	5000K	1000	91	5 3/8" W x 5 1/16" H x 9 1/16" Ext.	50-70W MET. HAL.	045923630958	4/1
65-096	LED SLIM WALL PACK 20W BRONZE	20	120-277	75	5000K	1800	90	5 3/8" W x 5 1/16" H x 9 1/16" Ext.	70-100W MET. HAL.	045923630965	4/1

# 38W LED arc wall pack with photocell

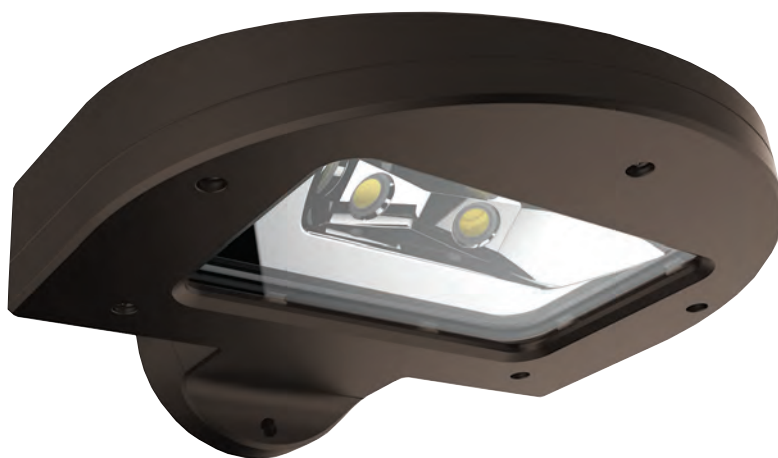
Bronze Finish

## Features

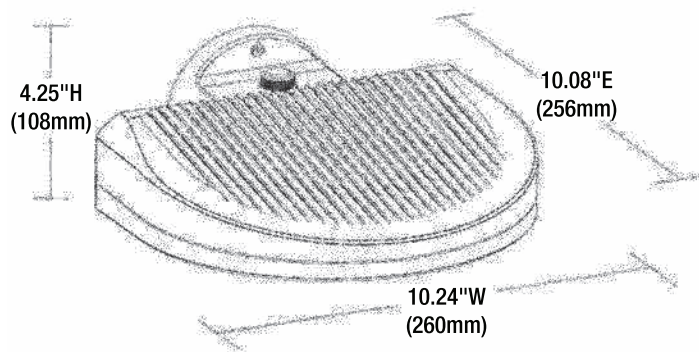
- DLC and ETL listed
- IP65 Rated enclosure
- Die-cast aluminum housing
- Suitable for wet locations
- 5 Year warranty

## Specifications

- 38W
- 3500 Lumens\*
- 120-277V, 50/60Hz
- 5000K
- 75 CRI
- 100-150W MH Equivalent
- Operating temperature: -25°C to 40°C
- Long life—50,000 hours



Dimensions



## 38W LED Arc Wall Pack



Item Number	Description	W	V	CRI	CCT	Total Lms*	Lms/Watt	Dimensions	Equivalent	UPC	Pack
65-097	LED ARC WALL PACK 38W BRONZE	38	120-277	75	5000K	3500	92	10 1/4" W x 4 1/4" H x 10 1/16" Ext.	100-150W MET. HAL.	045923630972	4/1

# 32W LED adjustable arc wall pack

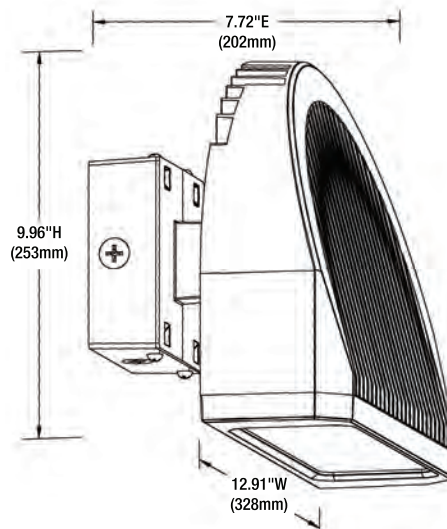
Bronze Finish

## Features

- DLC and ETL listed
- IP65 Rated enclosure
- Die-cast aluminum housing
- Suitable for wet locations
- 5 Year warranty

## Specifications

- 32W
- 2900 Lumens\*
- 120-277V, 50/60Hz
- 5000K
- 75 CRI
- 100-150W MH Equivalent
- Operating temperature: -25°C to 40°C
- Long life—50,000 hours



## 32W LED Arc Wall Pack



Item Number	Description	W	V	CRI	CCT	Total Lms*	Lms/Watt	Dimensions	Equivalent	UPC	Pack
65-098	LED ADJUSTABLE ARC WALL PACK - 32W BRONZE	32	120-277	75	5000K	2900	91	12 15/16" W x 9 15/16" H x 7 3/4" Ext.	100-150W MET. HAL.	045923630989	2/1

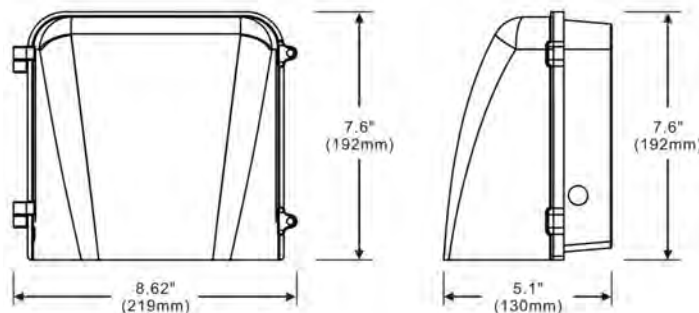
# LED small wall pack

## Applications

- Commercial or residential
- Entryways
- Pathways
- Patios

## Features

- 11W, 18W or 27W
- Bronze finish
- Rugged construction
- Die-cast aluminum body
- High impact resistant tempered glass
- UV stabilized powder coated finish
- 120-277V, 50/60Hz
- -40°C Starting temperature
- 5000K
- 11W, 70W MH equivalent
- 18W, 100W MH equivalent
- 27W, 150W MH equivalent
- Suitable for wet locations
- 100,000 Hour life
- 5 Year warranty



## LED Small Wall Pack

**70  
CRI**

**100,000  
HOURS**

**DLC  
PREMIUM**

**RoHS  
COMPLIANT**

Item Number	Lamp Description	W	V	Finish	CCT	Lm	CRI	Life/Hrs.	UPC	Pack/Mstr.
65-131	11W SMALL WALL PACK	11	120-277	Bronze	5000K	1575	70	100K	045923671319	1
65-132	18W SMALL WALL PACK	18	120-277	Bronze	5000K	2407	70	100K	045923671326	1
65-133	27W SMALL WALL PACK	27	120-277	Bronze	5000K	3315	70	100K	045923671333	1

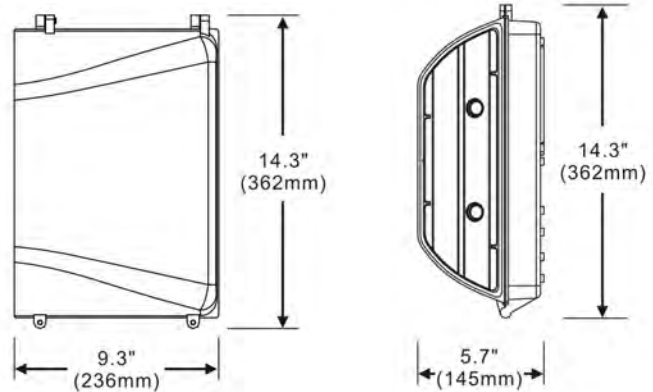
# LED large wall pack

## Applications

- Commercial or residential
- Entryways
- Pathways
- Patios

## Features

- 36W, 49W or 76W
- Bronze finish
- Rugged construction
- Die-cast aluminum body
- High impact resistant tempered glass
- UV stabilized powder coated finish
- 120-277V, 50/60Hz
- 5000K
- -40°C Starting temperature
- 26W, 100W MH equivalent
- 49W, 100–250W MH equivalent
- 76W, 250W MH equivalent
- Suitable for wet locations
- 100,000 Hour life
- 5 Year warranty



## LED Large Wall Pack

**70**  
CRI

**100,000**  
HOURS

**DLG**  
PREMIUM

**RoHS**  
COMPLIANT

Item Number	Lamp Description	W	V	Finish	CCT	Lm	CRI	Life/Hrs.	UPC	Pack/Mstr.
65-134	36W LARGE WALL PACK	36	120-277	Bronze	5000K	5075	70	100K	045923671340	1
65-135	49W LARGE WALL PACK	49	120-277	Bronze	5000K	6347	70	100K	045923671357	1
65-136	76W LARGE WALL PACK	76	120-277	Bronze	5000K	9174	70	100K	045923671364	1

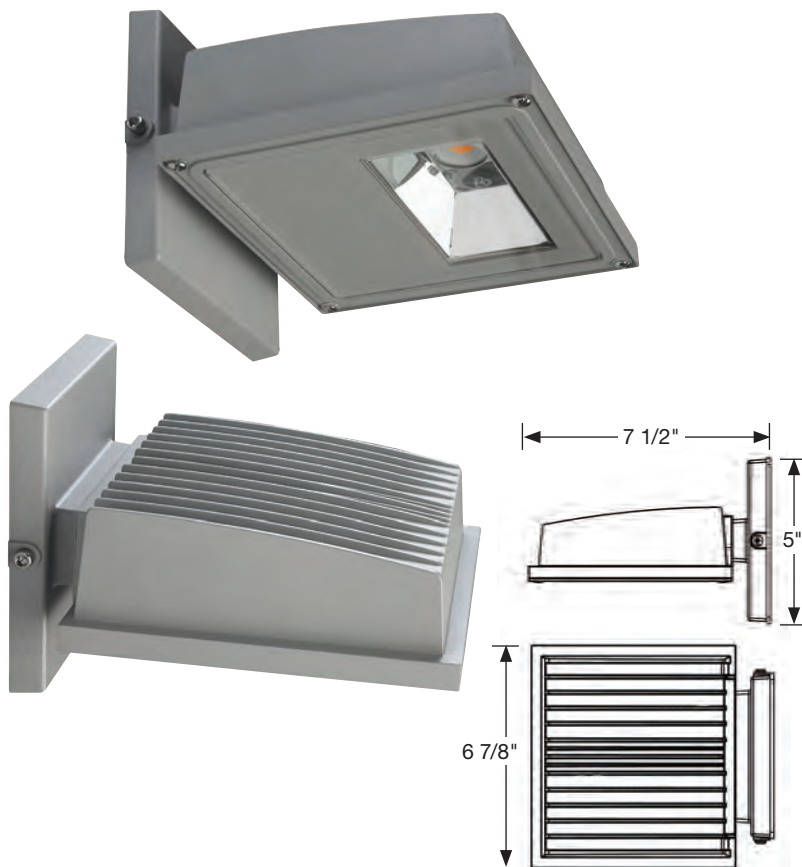
# 11W, 15W LED small wall pack

## Applications

- Commercial or residential
- Entryways
- Pathways
- Patios

## Features

- 11W or 15W
- White or gray finish
- Rugged construction
- Die-cast aluminum body
- High impact resistant tempered glass
- UV stabilized powder coated finish
- 120-277V, 50/60Hz
- 60° Beam angle
- -25°C Starting temperature
- 3000K or 4000K
- 3000K Dark sky certified†
- 11W, 70W MH equivalent
- 15W, 100W MH equivalent
- Suitable for wet locations
- Long life—50,000 Hours
- 5 Year warranty



## LED Small Wall Pack



Item Number	Lamp Description	W	V	Finish	CCT	Lm	CRI	Dimensions	Life/Hrs.	UPC	Pk./Mstr.
65-151†	11W LED WALL PACK	11	120-277	Gray	3000K	1255	80	6 7/8" W x 7 1/2" L x 5" H	50K	045923671517	12
65-152	11W LED WALL PACK	11	120-277	Gray	4000K	1261	80	6 7/8" W x 7 1/2" L x 5" H	50K	045923671524	12
65-153†	11W LED WALL PACK	11	120-277	White	3000K	1255	80	6 7/8" W x 7 1/2" L x 5" H	50K	045923671531	12
65-154	11W LED WALL PACK	11	120-277	White	4000K	1261	80	6 7/8" W x 7 1/2" L x 5" H	50K	045923671548	12
65-155†	15W LED WALL PACK	15	120-277	Gray	3000K	1650	80	6 7/8" W x 7 1/2" L x 5" H	50K	045923671555	12
65-156	15W LED WALL PACK	15	120-277	Gray	4000K	1688	80	6 7/8" W x 7 1/2" L x 5" H	50K	045923671562	12
65-157†	15W LED WALL PACK	15	120-277	White	3000K	1650	80	6 7/8" W x 7 1/2" L x 5" H	50K	045923671579	12
65-158	15W LED WALL PACK	15	120-277	White	4000K	1688	80	6 7/8" W x 7 1/2" L x 5" H	50K	045923671586	12



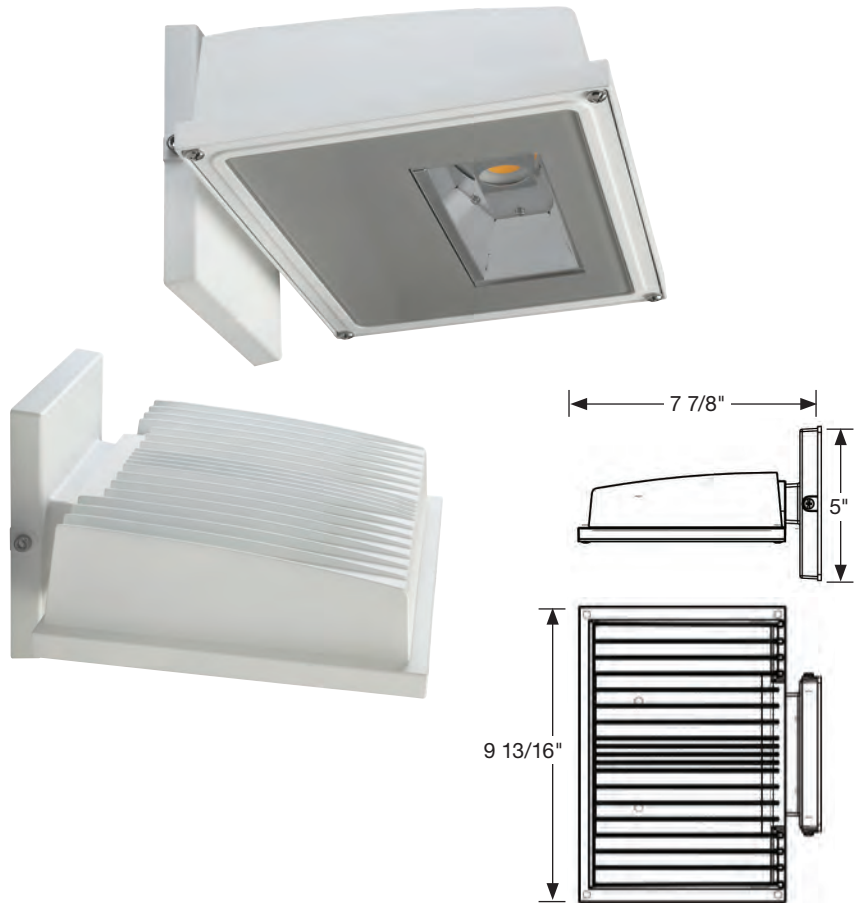
# 21W, 30W LED large wall pack

## Applications

- Commercial or residential
- Entryways
- Pathways
- Patios

## Features

- 21W or 30W
- White or gray finish
- Rugged construction
- Die-cast aluminum body
- High impact resistant tempered glass
- UV stabilized powder coated finish
- 120-277V, 50/60Hz
- 60° Beam angle
- -25°C Starting temperature
- 3000K or 4000K
- 3000K Dark sky certified†
- 21W, 100W MH equivalent
- 30W, 150W MH equivalent
- Suitable for wet locations
- Long life—50,000 Hours
- 5 Year warranty



## LED Large Wall Pack



Item Number	Lamp Description	W	V	Finish	CCT	Lm	CRI	Dimensions	Life/Hrs.	UPC	Pk./Mstr.
65-159†	21W LED WALL PACK	21	120-277	Gray	3000K	2310	80	9 13/16" W x 7 7/8" L x 5" H	50K	045923671593	8
65-160	21W LED WALL PACK	21	120-277	Gray	4000K	2346	80	9 13/16" W x 7 7/8" L x 5" H	50K	045923671609	8
65-161†	21W LED WALL PACK	21	120-277	White	3000K	2310	80	9 13/16" W x 7 7/8" L x 5" H	50K	045923671616	8
65-162	21W LED WALL PACK	21	120-277	White	4000K	2346	80	9 13/16" W x 7 7/8" L x 5" H	50K	045923671623	8
65-163*†	30W LED WALL PACK	30	120-277	Gray	3000K	2884	80	9 13/16" W x 7 7/8" L x 5" H	50K	045923671630	8
65-164	30W LED WALL PACK	30	120-277	Gray	4000K	3339	80	9 13/16" W x 7 7/8" L x 5" H	50K	045923671647	8
65-165*†	30W LED WALL PACK	30	120-277	White	3000K	2884	80	9 13/16" W x 7 7/8" L x 5" H	50K	045923671654	8
65-166	30W LED WALL PACK	30	120-277	White	4000K	3339	80	9 13/16" W x 7 7/8" L x 5" H	50K	045923671661	8

# 39W LED wall pack security flood

Bronze Finish / Borosilicate Glass

## Features

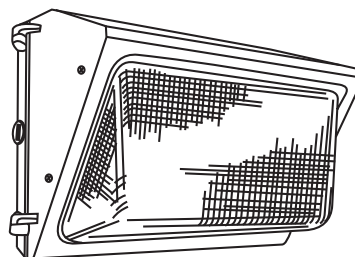
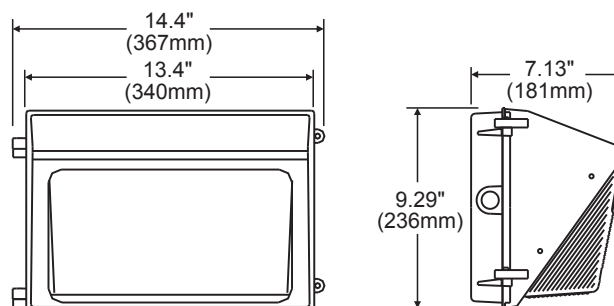
- Die-cast aluminum body
- UV stabilized powder coated finish
- Suitable for wet locations
- Heat and impact resistant borosilicate glass lens
- 5 Year warranty

## Specifications

- 39W
- 4553 Lumens\*
- 120-277V, 50/60Hz
- 5000K
- 70 CRI
- 100-150W MH Equivalent
- Operating temperature: -40°C to 40°C
- Long life—100,000 hours



## Dimensions



## 39W Wall Pack LED Security Flood



Item Number	Description	W	V	CRI	CCT	Total Lms*	Lms/Watt	Dimensions	Equivalent	UPC	Pack
65-056R1	LED WALL PACK 39W BRONZE/ BOROSILICATE GLASS	39	120-277	70	5000K	4553	116	14 3/8" W x 9 5/8" H x 7 1/8" Ext.	100-150W MET. HAL.	045923630569	6/1

# 49W LED wall pack security flood

Bronze Finish / Borosilicate Glass

## Features

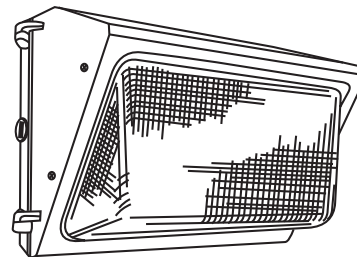
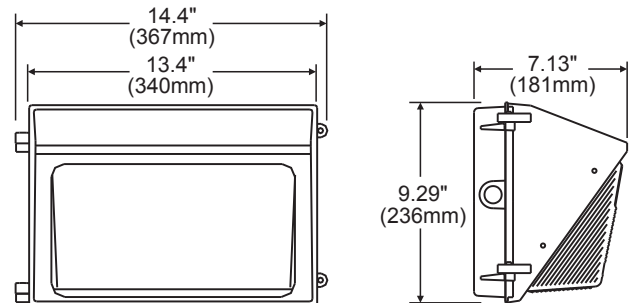
- UL listed
- Die-cast aluminum body
- UV stabilized powder coated finish
- Suitable for wet locations
- Heat and impact resistant borosilicate glass lens
- 5 Year warranty

## Specifications

- 49W
- 5695 Lumens\*
- 120-277V, 50/60Hz
- 5000K
- 70 CRI
- 150-200W MH Equivalent
- Operating temperature: -40°C to 40°C
- Long life—100,000 hours



## Dimensions



## 49W Wall Pack LED Security Flood



Item Number	Description	W	V	CRI	CCT	Total Lms*	Lms Watt	Dimensions	Equivalent	UPC	Pack
65-057R1	LED WALL PACK 49W BRONZE/BOROSILICATE GLASS	49	120-277	70	5000K	5695	116	14 3/8" W x 9 5/8" H x 7 1/8" Ext.	150-200W MET. HAL.	045923630576	6/1

# 76W LED wall pack security flood

Bronze Finish / Borosilicate Glass

## Features

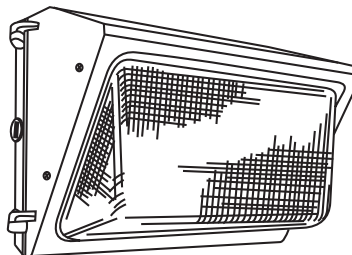
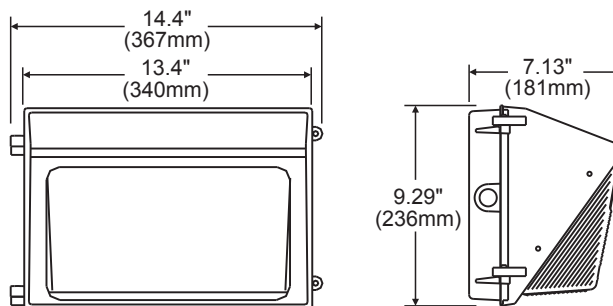
- Die-cast aluminum body
- UV stabilized powder coated finish
- Suitable for wet locations
- Heat and impact resistant borosilicate glass lens
- 5 Year warranty

## Specifications

- 76W
- 9212 Lumens\*
- 120-277V, 50/60Hz
- 5000K
- 70 CRI
- 100-150W MH Equivalent
- Operating temperature: -40°C to 40°C
- Long life—100,000 hours



## Dimensions



## 76W Wall Pack LED Security Flood

Item Number	Description	W	V	CRI	CCT	Total Lms*	Lms/Watt	Dimensions	Equivalent	UPC	Pack
65-049	LED WALL PACK 76W BRONZE/ BOROSILICATE GLASS	76	120-277	70	5000K	9212	121	13 3/32" W x 9 5/32" H	100-150W MET. HAL.	045923650499	1

# 81W LED wall pack security flood

Bronze Finish / Borosilicate Glass

## Features

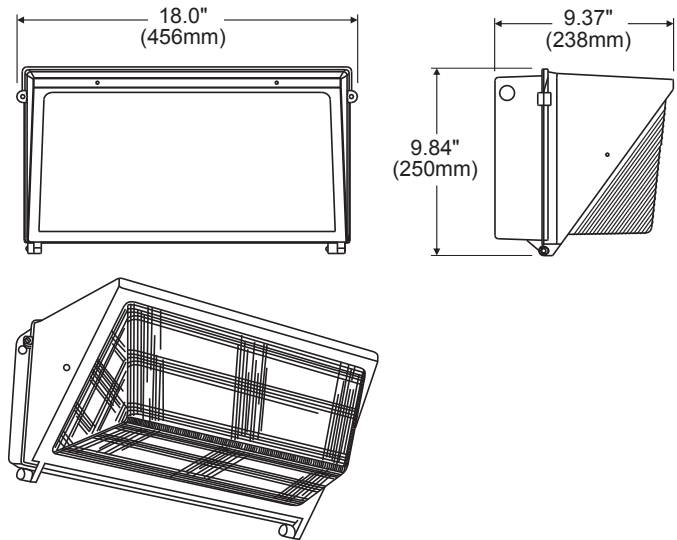
- UL listed
- Die-cast aluminum body
- UV stabilized powder coated finish
- Suitable for wet locations
- Heat and impact resistant borosilicate glass
- 5 Year warranty

## Specifications

- 81W
- 9768 Lumens\*
- 120-277V, 50/60Hz
- 5000K
- 70 CRI
- 250W MH Equivalent
- Operating temperature: -40°C to 40°C
- Long life—55,000 hours



Dimensions



## 81W Wall Pack LED Security Flood



Item Number	Description	W	V	CRI	CCT	Total Lms*	Lms/Watt	Dimensions	Equivalent	UPC	Pack
65-058R1	LED WALL PACK 81W BRONZE/ BOROSILICATE GLASS	81	120-277	70	5000K	9768	120	18" W x 9 13/16" H x 9 3/8" Ext.	250W MET. HAL.	045923630583	1



# 120W LED wall pack security flood

Bronze Finish / Borosilicate Glass



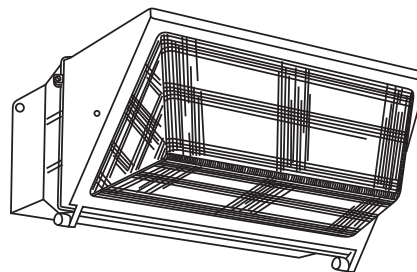
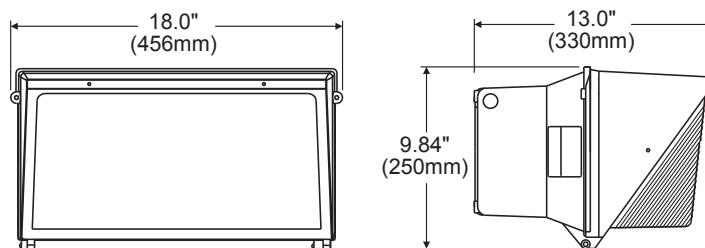
## Features

- UL listed
- Die-cast aluminum body
- UV stabilized powder coated finish
- Suitable for wet locations
- Heat and impact resistant borosilicate glass
- 5 Year warranty

## Specifications

- 120W
- 15573 Lumens\*
- 120-277V, 50/60Hz
- 5000K
- 70 CRI
- 400W MH Equivalent
- Operating temperature: -40°C to 40°C
- Long life—57,000 hours

## Dimensions



## 120W Wall Pack LED Security Flood



Item Number	Description	W	V	CRI	CCT	Total Lms*	Lms/Watt	Dimensions	Equivalent	UPC	Pack
65-059R1	LED WALL PACK 160 BRONZE/BOROSILICATE GLASS	120	120-277	70	5000K	15573	99	18" W x 9 13/16" H x 13" Ext.	400W MET. HAL.	045923670596	1



# 39W LED low profile canopy fixture

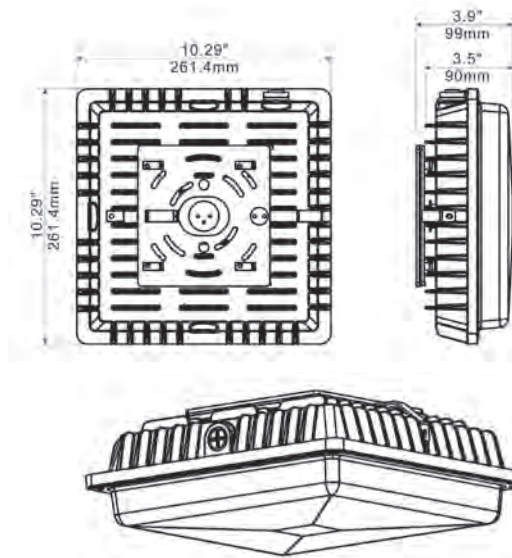
Bronze Finish / Glare Free Lens

## Features

- DLC & UL listed
- Die-cast aluminum body
- UV stabilized powder coated finish
- Ceiling or 3/4" pendant mounting
- Suitable for wet locations
- Glare free lens
- 5 Year warranty

## Specifications

- 39W
- 4803 Lumens\*
- 120-277V, 50/60Hz
- 5000K
- 70 CRI
- 100-150W MH Equivalent
- Operating temperature: -40°C to 40°C
- Long life—100,000 hours



39W Low Profile LED Canopy Fixture



Item Number	Description	W	V	CRI	CCT	Total Lms*	Lms/Watt	Dimensions	Equivalent	UPC	Pack
65-073R1	LED CANOPY FIXTURE 39W BRONZE FINISH	39	120-277	70	5000K	4803	120	10 1/4" W x 3 3/4" H	100-150W MET. HAL.	045923630736	6/1

# 58W LED low profile canopy fixture

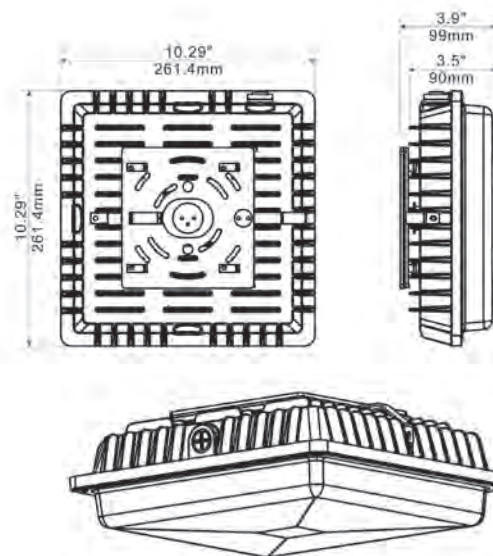
Bronze Finish / Glare Free Lens

## Features

- DLC & UL listed
- Die-cast aluminum body
- UV stabilized powder coated finish
- Ceiling or 3/4" pendant mounting
- Suitable for wet locations
- Glare free lens
- 5 Year warranty

## Specifications

- 58W
- 6375 Lumens\*
- 120-277V, 50/60Hz
- 5000K
- 70 CRI
- 150-200W MH Equivalent
- Operating temperature: -40°C to 40°C
- Long life—100,000 hours



## 58W Low Profile LED Canopy Fixture

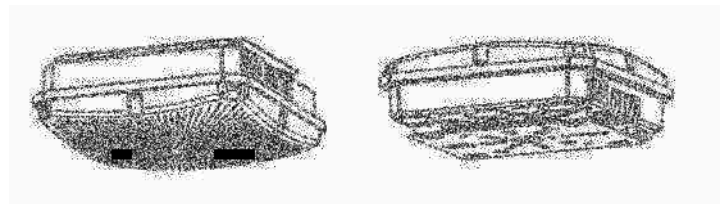


Item Number	Description	W	V	CRI	CCT	Total Lms*	Lms/Watt	Dimensions	Equivalent	UPC	Pack
65-074R1	LED CANOPY FIXTURE 58W BRONZE FINISH	58	120-277	70	5000K	6375	110	10 1/4" W x 3 3/4" H	150-200W MET. HAL.	045923630743	6/1

# LED Premium low profile canopy fixtures

## Features

- Die-cast aluminum body
- 8.5" & 10" sizes
- Bronze finish
- UV stabilized powder coated finish
- Ceiling or 3/4" pendant mounting
- IP65
- Suitable for wet locations
- Broad, even light distribution
- 150-200W MH Equivalent
- Operating temperature: -40°C to 40°C
- 1-10V dimming
- DLC Premium listed
- Rated 50,000 hours
- 5 Year warranty



## LED Premium Low Profile Canopy Fixtures



Item Number	Description	W	V	CRI	CCT	Total Lms*	Dimming	Life/Hrs.	UPC	Pack
65-138	8.5" LED Canopy Light	28	120-277	80	4000K	3360	1-10V	50K	045923531385	6
65-140	8.5" LED Canopy Light	40	120-277	80	4000K	4800	1-10V	50K	045923531408	6
65-142	10" LED Canopy Light	28	120-277	80	4000K	3360	1-10V	50K	045923531422	4
65-144	10" LED Canopy Light	40	120-277	80	4000K	4800	1-10V	50K	045923531446	4
65-146	10" LED Canopy Light	60	120-277	80	4000K	7200	1-10V	50K	045923531460	4
65-148	10" LED Canopy Light	70	120-277	80	4000K	8400	1-10V	50K	045923531484	4



65-055, 65-054

# 41W and 58W LED wall mount carport/parking area fixtures

Gray Finish / Polycarbonate Diffuser

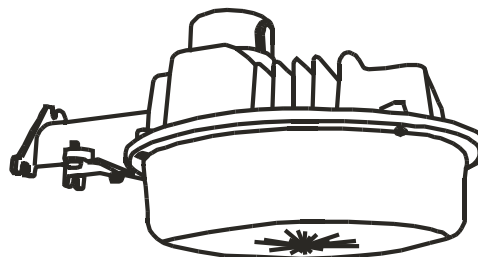
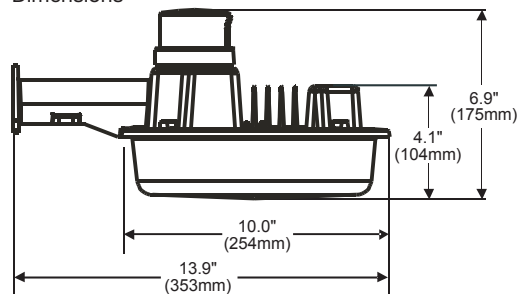
## Features

- DLC & UL listed
- Die-cast aluminum body
- UV stabilized powder coated finish
- Uniform light distribution
- Suitable for wet locations
- Photo control – On at dusk / Off at dawn
- 5 Year warranty

## Specifications

- 41W & 58W
- 120V
- 5000K
- 70 CRI
- 150-200W MH Equivalent
- Operating temperature: -40°C to 40°C
- Long life—40,000 hours

## Dimensions



## Accessories



Aluminum Anodized Arm  
Item no. 65-084



## LED Carport/Parking Area Fixture

Item Number	Description	W	V	CRI	CCT	Total Lms	Lms/Watt	Dimensions	Equivalent	UPC	Pack	
65-055	LED AREA LIGHT 41W GRAY FINISH	41	120	70	5000K	3194	77	10" W x 6 7/8" H x 9 7/8" Ext.	150-200W MET. HAL.	045923630552	6/1	
65-054*	LED AREA LIGHT 58W GRAY FINISH	58	120	70	5000K	5441	93	10" W x 6 7/8" H x 9 7/8" Ext.	200W MET. HAL.	045923630545	6/1	
Accessories												
65-084	ALUMINUM ANODIZED ARM FOR CARPORT/PARKING AREA FIXTURE							21"			045923630842	4/1

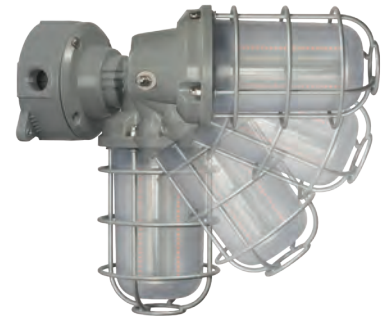
# Adjustable LED vapor tight fixtures

## Features:

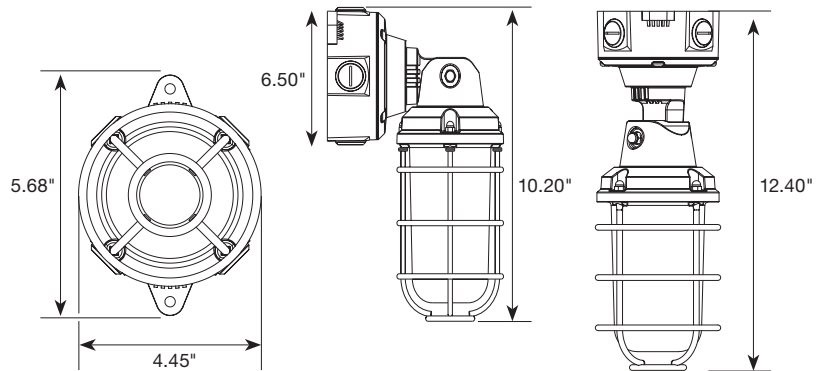
- 90° Adjustable arm
- Wall or ceiling mount
- Rugged polycarbonate body and protective steel cage
- Gray finish
- 3000K, 4000K, 5000K options
- 100-277V
- Operating temp. -40°C to 45°C
- ½" Conduit openings on all 4 sides
- Approved for wet locations
- IP65
- cULus wet location listed
- 50,000 Hour life
- 5 Year warranty



Fixture adjusts a full 90° in multiple increments.



Fixture adjusts 90°



## Adjustable LED Vapor Tight Fixtures



Item No.	Description	W	Voltage	Finish	CCT	Lm	CRI	Life/Hrs.	UPC	Case Pack
65-171	20W/3000K	20	100-277V	Gray	3000K	2050	80+	50K	045923671715	6
65-172	20W/4000K	20	100-277V	Gray	4000K	2150	80+	50K	045923671729	6
65-173	20W/5000K	20	100-277V	Gray	5000K	2200	80+	50K	045923671736	6

# 13W Wall & ceiling LED vapor tight fixtures

## Silver Finish

### Features

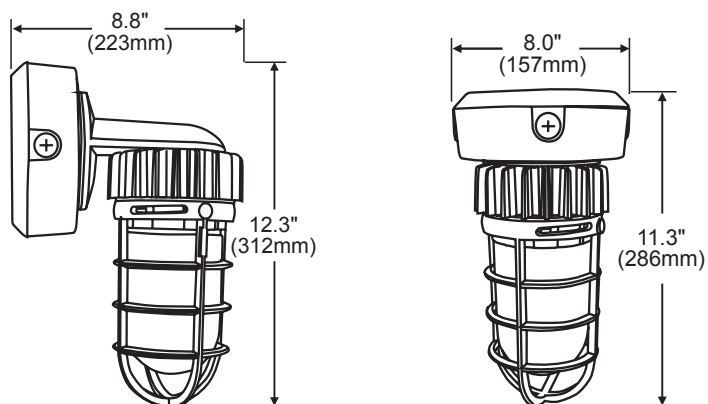
- UL listed
- Die-cast aluminum body
- UV stabilized powder coated finish
- 1/2" Conduit plugs – all four sides
- Suitable for wet locations
- 5 Year warranty

### Specifications

- 13W
- 850 Lumens\*
- 120-277V, 50/60Hz
- 5000K
- 70 CRI
- 50-70W MH Equivalent
- Operating temperature: -40°C to 40°C
- Long life—35,000 hours



### Dimensions



## 13W Wall & Ceiling Vapor Proof LED Fixture



Item Number	Description	W	V	CRI	CCT	Total Lms*	Lms/Watt	Dimensions	Equivalent	UPC	Pack
65-078	LED VAPOR PROOF WALL MOUNT SILVER FINISH	13	120-277	70	5000K	850	65	8" W x 12 5/16" H x 8 13/16" Ext.	50-70W MET. HAL.	045923630781	6/1
65-079	LED VAPOR PROOF CEILING MOUNT SILVER FINISH	13	120-277	70	5000K	850	65	8" W x 11 5/16" H	50-70W MET. HAL.	045923630798	6/1



# LED bulkhead fixture

Attractive, high efficiency indoor/outdoor wall fixture

## Applications

- Docks
- Walkways
- Entrances
- Hallways
- Lobbies
- Patios
- Pool decks

## Features

- 20 Watts
- White or Black finish with frosted glass
- Rugged construction
- Die-cast aluminum body
- UV stabilized powder coated finish
- Suitable for wet locations
- 100-277V, 50/60Hz
- 1440 Lumens
- 3000K
- 90 CRI
- Long life—50,000 hours
- ENERGY STAR certified\*
- 5 Year warranty



## LED Bulkhead Fixture



Item Number	Lamp Description	W	V	Finish	CCT	Lm	CRI	Life/Hrs.	UPC	Pack/Mstr.
65-113*	20W LED BULK HEAD WHITE	20	100-277	White	3000K	1440	90	50K	045923451133	2
65-114*	20W LED BULK HEAD BLACK	20	100-277	Black	3000K	1440	90	50K	045923451140	2

# LED up/down outdoor wall fixture

Attractive, high efficiency outdoor wall fixture

## Applications

- Residential or commercial use
- Entrances
- Hallways
- Lobbies
- Patios

## Features

- 60W/100W equivalent
- 60° Beam angle
- 10 Watts / 20 Watts
- White, Black or Bronze finish
- Die-cast aluminum body
- UV stabilized powder coated finish
- Suitable for wet locations
- 120-277V, 50/60Hz
- 3000K
- 90 CRI
- Long life—50,000 hours
- ETL listed
- ENERGY STAR certified\*
- 5 Year warranty



62-1141



62-1142



62-1145

Dimensions: 5" W x 6 3/4" H x 3 1/8" Ext.



62-1143



62-1144



62-1146

Dimensions: 5" W x 11 3/4" H x 3 7/8" Ext.

## LED Up/Down Outdoor Wall Fixture



Item Number	Description	W	Finish	Light Source	CCT	Lm	CRI	Life/Hrs.	UPC	Pack
62-1141*	(2) 5W/LED/3000K/90CRI/120-277V	10	White	LED Module	3000K	700	90	50K	045923411410	10/1
62-1142*	(2) 5W/LED/3000K/90CRI/120-277V	10	Black	LED Module	3000K	700	90	50K	045923511424	10/1
62-1145*	(2) 5W/LED/3000K/90CRI/120-277V	10	Bronze	LED Module	3000K	700	90	50K	045923711459	10/1
62-1143*	(2) 10W/LED/3000K/90CRI/120-277V	20	White	LED Module	3000K	1400	90	50K	045923511431	5/1
62-1144*	(2) 10W/LED/3000K/90CRI/120-277V	20	Black	LED Module	3000K	1400	90	50K	045923511448	5/1
62-1146*	(2) 10W/LED/3000K/90CRI/120-277V	20	Bronze	LED Module	3000K	1400	90	50K	045923711466	5/1



## LED recessed retrofits or new recessed installations,

Lighting projects have a way of coming with many variables. Ceiling heights, room size and purpose, and code requirements all make for a challenging lighting plan. Now, any recessed application can enjoy the efficiency of the most current LED technology. Our LED recessed fixtures include residential and commercial direct wire, edge lit, square trim and gimbal models, and include the most versatile series of all, our Freedom™ line.

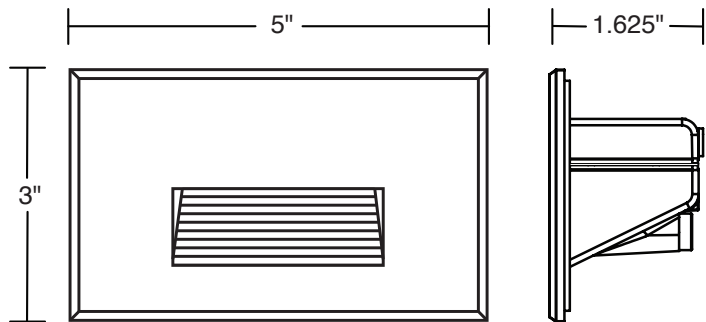
Freedom recessed LED fixtures help make the process easier by providing many options—hundreds to be exact—from just one basic retrofit. Multiple beam angles, fixture sizes, Lumens, color temperatures and trims give you the Freedom to create the look you want and the performance you need. With all recessed LED fixtures from Nuvo, multiple solutions for new installs or renovations are available to meet most any project requirement.

we have the solution.

# LED horizontal step light

## Features

- 5W
- Bronze, White or Gray finish
- Rugged construction
- No transformer required
- Easy installation
- UV stabilized powder coated finish
- Dimmable\*\*
- 120V or 277V versions
- 3000K
- Suitable for wet locations
- cULus listed
- Long life—50,000 hours
- 5 Year warranty



## LED Horizontal Step Light



Item Number	Lamp Description	W	V	Finish	CCT	Lm	CRI	Life/Hrs.	UPC	Pack/Mstr.
65-403**	5W HORIZONTAL STEP LIGHT	5	120	Bronze	3000K	407	80	50K	045923554032	24
65-404	5W HORIZONTAL STEP LIGHT	5	277	Bronze	3000K	407	80	50K	045923554049	24
65-407**	5W HORIZONTAL STEP LIGHT	5	120	White	3000K	407	80	50K	045923554070	24
65-408	5W HORIZONTAL STEP LIGHT	5	277	White	3000K	407	80	50K	045923554087	24
65-411**	5W HORIZONTAL STEP LIGHT	5	120	Gray	3000K	407	80	50K	045923554117	24
65-412	5W HORIZONTAL STEP LIGHT	5	277	Gray	3000K	407	80	50K	045923554124	24

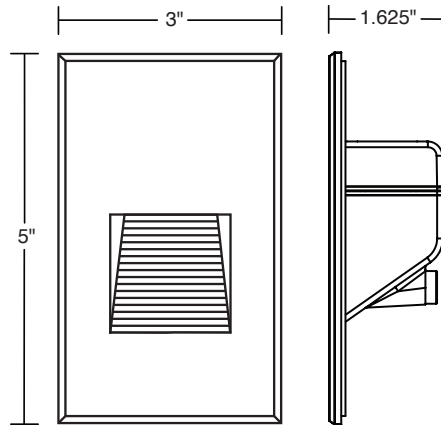
\*Minimum interior box volume of 13 cubic inches. \*\*120V Only



# LED vertical step light

## Features

- 3W
- Bronze, White or Gray finish
- Rugged construction
- No transformer required
- Easy installation\*
- UV stabilized powder coated finish
- Dimmable\*\*
- 120V or 277V versions
- 3000K
- Suitable for wet locations
- cULus listed
- Long life—50,000 hours
- 5 Year warranty



RECESSED

## LED Vertical Step Light



Item Number	Lamp Description	W	V	Finish	CCT	Lm	CRI	Life/Hrs.	UPC	Pack/Mstr.
65-401**	3W VERTICAL STEP LIGHT	3	120	Bronze	3000K	200	80	50K	045923554018	24
65-402	3W VERTICAL STEP LIGHT	3	277	Bronze	3000K	220	80	50K	045923554025	24
65-405**	3W VERTICAL STEP LIGHT	3	120	White	3000K	200	80	50K	045923554056	24
65-406	3W VERTICAL STEP LIGHT	3	277	White	3000K	220	80	50K	045923554063	24
65-409**	3W VERTICAL STEP LIGHT	3	120	Gray	3000K	200	80	50K	045923554094	24
65-410	3W VERTICAL STEP LIGHT	3	277	Gray	3000K	220	80	50K	045923554100	24

\*Minimum interior box volume of 13 cubic inches \*\*120V Only



# FREEDOM™ architectural LED downlights & retrofits

It takes just 3 steps to solve dozens of lighting challenges. Start by choosing the housing size. This also contains your color temperature, including warm-dimming. Then choose the beam angle you need for the item or area you're lighting. Finally, choose the trim ring. That's it. You're on the way to creating a consistent, functional lighting plan that covers almost every lighting need.



## 3 Easy steps to customize your Freedom downlight/retrofit.



Select color temperature



Select beam angle



Select trim

### Start with the housing size and color temperature

- 4"
  - 2700K
  - 3000K
  - 4000K
  - 5000K
  - 2700K-2200K Warm Dimming
- 5"/6"

### Add the beam angle and optics

- |  |  |
|--|--|
| <b>4"</b> <ul style="list-style-type: none"> <li>• 30°</li> <li>• 40°</li> <li>• 60°</li> <li>• 95°</li> </ul> | <b>5/6"</b> <ul style="list-style-type: none"> <li>• 35°</li> <li>• 45°</li> <li>• 60°</li> <li>• 95°</li> </ul> |
|--|--|

### Choose your trim finish and shape, round or square

- White
- Brushed Nickel
- Polished Nickel
- Bronze

E26 Medium base adapter supplied.  
Optional GU10 & GU24 bases available



Trim ring – choose round or square

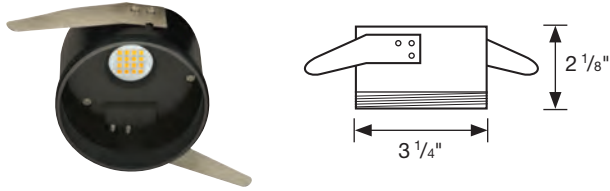
Beam angle optics

Twist blade mounting for easy installation

Housing with color temperature choices or warm dimming option

# 4" LED housings and reflectors

Available recessed cans pg. 114



## S9500 4" LED Housing – 10W, 2700K, 90CRI

Reflector Numbers	Reflector Angle	ENERGY STAR Numbers	Brightness (lumens)
S9508	30 deg	S9500-30	540
S9509	40 deg	S9500-40	540
S9510	60 deg	S9500-60	540
S9511	95 deg	S9500-95	500

## S9501 4" LED Housing – 10W, 3000K, 90CRI

Reflector Numbers	Reflector Angle	ENERGY STAR Numbers	Brightness (lumens)
S9508	30 deg	S9501-30	550
S9509	40 deg	S9501-40	550
S9510	60 deg	S9501-60	550
S9511	95 deg	S9501-95	500

## S9502 4" LED Housing – 10W, 4000K, 90CRI

Reflector Numbers	Reflector Angle	ENERGY STAR Numbers	Brightness (lumens)
S9508	30 deg	S9502-30	600
S9509	40 deg	S9502-40	600
S9510	60 deg	S9502-60	600
S9511	95 deg	S9502-95	550

## S9503 4" LED Housing – 10W, 5000K, 80CRI

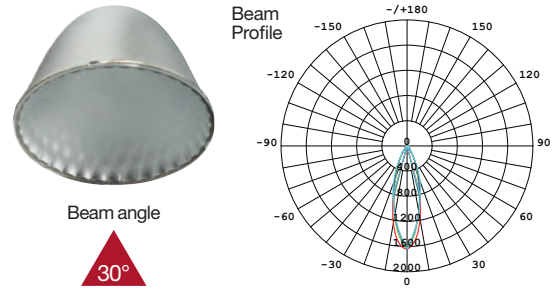
Reflector Numbers	Reflector Angle	ENERGY STAR Numbers	Brightness (lumens)
S9508	30 deg	S9503-30	700
S9509	40 deg	S9503-40	700
S9510	60 deg	S9503-60	700
S9511	95 deg	S9503-95	650

## S9524 4" LED Housing – 10W, 2700K-2200K, 83CRI

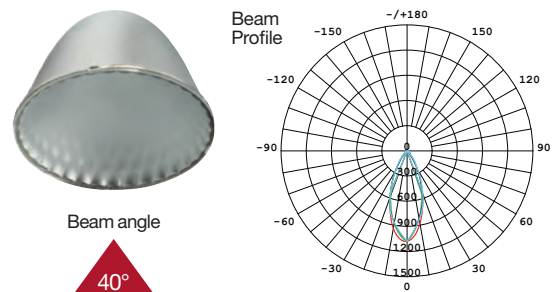
Reflector Numbers	Reflector Angle	ENERGY STAR Numbers†	Brightness @ 2700K (lumens)†
S9508	30 deg	S9524-30	540
S9509	40 deg	S9524-40	540
S9510	60 deg	S9524-60	540
S9511	95 deg	S9524-95	500

†ENERGY STAR rating relates to 2700K CCT setting only

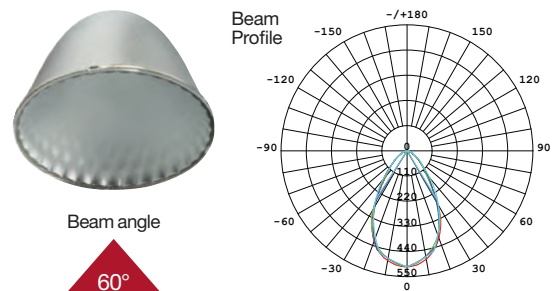
## S9508 4" Reflector – 30° Beam angle



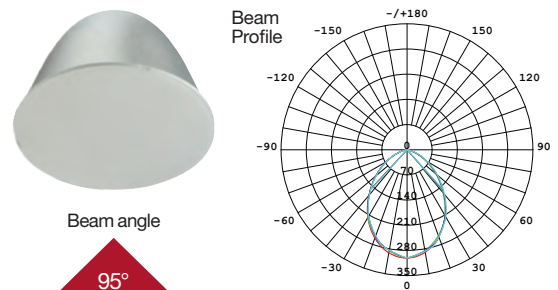
## S9509 4" Reflector – 40° Beam angle



## S9510 4" Reflector – 60° Beam angle



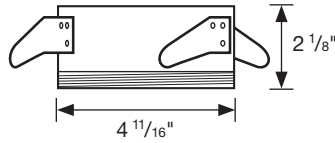
## S9511 4" Reflector – 95° Beam angle



RECESSED

# 5"/6" LED housings and reflectors

Available recessed cans pg. 114



## S9504 5/6" LED Housing – 13.5W, 2700K, 90CRI

Reflector Numbers	Reflector Angle	ENERGY STAR Numbers	Brightness (lumens)
S9512	35 deg	S9504-35	830
S9513	45 deg	S9504-45	830
S9514	60 deg	S9504-60	830
S9515	95 deg	S9504-95	760

## S9505 5/6" LED Housing – 13.5W, 3000K, 90CRI

Reflector Numbers	Reflector Angle	ENERGY STAR Numbers	Brightness (lumens)
S9512	35 deg	S9505-35	860
S9513	45 deg	S9505-45	860
S9514	60 deg	S9505-60	860
S9515	95 deg	S9505-95	800

## S9506 5/6" LED Housing – 13.5W, 4000K, 90CRI

Reflector Numbers	Reflector Angle	ENERGY STAR Numbers	Brightness (lumens)
S9512	35 deg	S9506-35	900
S9513	45 deg	S9506-45	900
S9514	60 deg	S9506-60	900
S9515	95 deg	S9506-95	860

## S9507 5/6" LED Housing – 13.5W, 5000K, 80CRI

Reflector Numbers	Reflector Angle	ENERGY STAR Numbers	Brightness (lumens)
S9512	35 deg	S9507-35	1000
S9513	45 deg	S9507-45	1000
S9514	60 deg	S9507-60	1000
S9515	95 deg	S9507-95	960

## S9525 5/6" LED Housing – 13.5W, 2200K-2700K, 83CRI

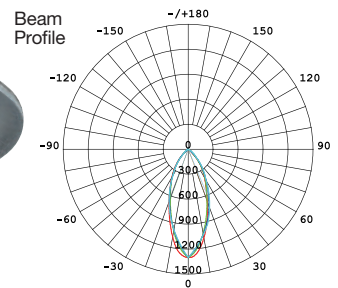
Reflector Numbers	Reflector Angle	ENERGY STAR Numbers†	Brightness @ 2700K (lumens)†
S9512	35 deg	S9525-35	830
S9513	45 deg	S9525-45	830
S9514	60 deg	S9525-60	830
S9515	95 deg	S9525-95	760

†ENERGY STAR rating relates to 2700K CCT setting only

## S9512 5"/6" Reflector – 35° Beam angle



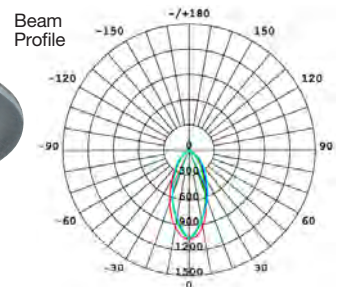
Beam angle



## S9513 5"/6" Reflector – 45° Beam angle



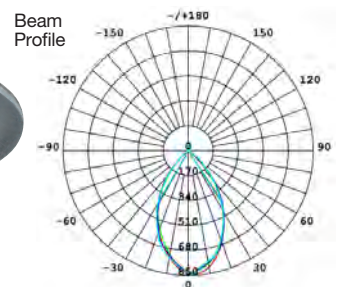
Beam angle



## S9514 5"/6" Reflector – 60° Beam angle



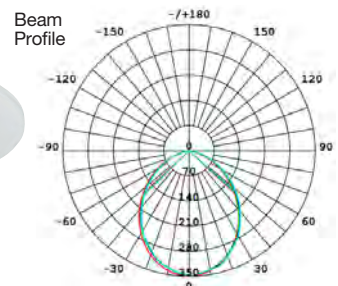
Beam angle



## S9515 5"/6" Reflector – 95° Beam angle

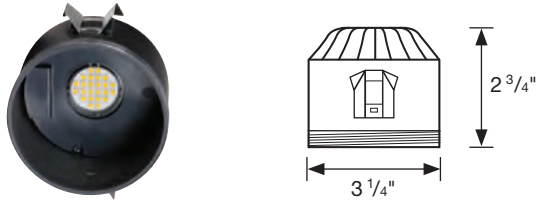


Beam angle



# 4" High Lumen LED housings and reflectors

Available recessed cans pg. 114



## S9785 4" LED Housing – 16W, 2700K, 90CRI

Reflector Numbers	Reflector Angle	ENERGY STAR Numbers	Brightness (lumens)
S9508	30 deg	S9785-30	930
S9509	40 deg	S9785-40	930
S9510	60 deg	S9785-60	930
S9511	95 deg	S9785-95	880

## S9786 4" LED Housing – 16W, 3000K, 90CRI

Reflector Numbers	Reflector Angle	ENERGY STAR Numbers	Brightness (lumens)
S9508	30 deg	S9786-30	940
S9509	40 deg	S9786-40	940
S9510	60 deg	S9786-60	940
S9511	95 deg	S9786-95	890

## S9787 4" LED Housing – 16W, 4000K, 90CRI

Reflector Numbers	Reflector Angle	ENERGY STAR Numbers	Brightness (lumens)
S9508	30 deg	S9787-30	950
S9509	40 deg	S9787-40	950
S9510	60 deg	S9787-60	950
S9511	95 deg	S9787-95	900

## S9788 4" LED Housing – 16W, 5000K, 80CRI

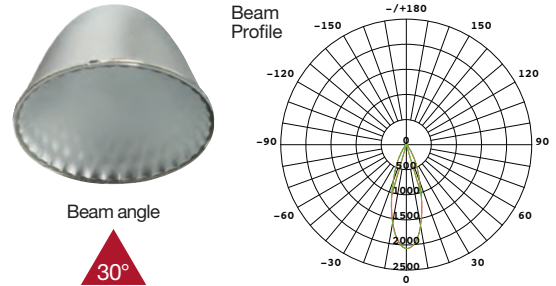
Reflector Numbers	Reflector Angle	ENERGY STAR Numbers	Brightness (lumens)
S9508	30 deg	S9788-30	1050
S9509	40 deg	S9788-40	1050
S9510	60 deg	S9788-60	1050
S9511	95 deg	S9788-95	1000

## S9789 4" LED Housing – 16W, 2700K-2200K, 80CRI

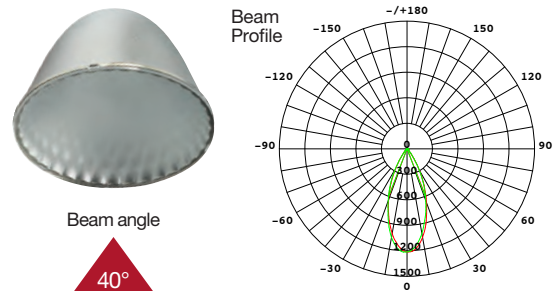
Reflector Numbers	Reflector Angle	ENERGY STAR Numbers†	Brightness @ 2700K (lumens)†
S9508	30 deg	S9789-30	940
S9509	40 deg	S9789-40	940
S9510	60 deg	S9789-60	940
S9511	95 deg	S9789-95	890

†ENERGY STAR rating relates to 2700K CCT setting only

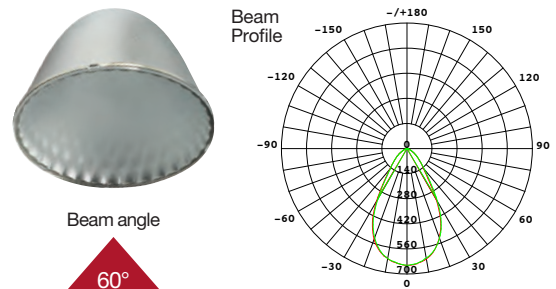
## S9508 4" Reflector – 30° Beam angle



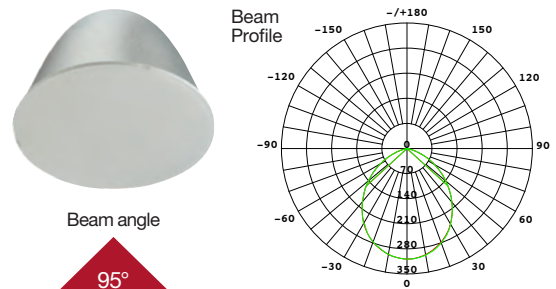
## S9509 4" Reflector – 40° Beam angle



## S9510 4" Reflector – 60° Beam angle



## S9511 4" Reflector – 95° Beam angle

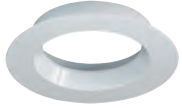


**RECESSED**



## Round trims

### 4" Trims



White  
S9516 4"



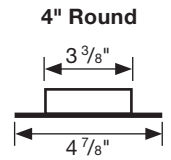
Brushed Nickel  
S9517 4"



Bronze  
S9518 4"



Polished Nickel  
S9519 4"



### 5 5/8" Trims



White  
S9520 5", S9554 6"



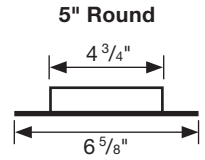
Brushed Nickel  
S9521 5", S9555 6"



Bronze  
S9522 5", S9556 6"



Polished Nickel  
S9523 5", S9557 6"



### 6" Round Adjustable Gimbal Trims



White  
S9646 6"



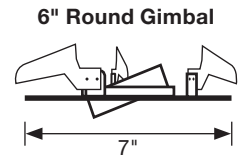
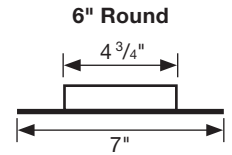
Brushed Nickel  
S9647 6"



Bronze  
S9648 6"



Polished Nickel  
S9649 6"



## Square trims

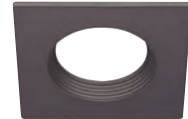
### 4" Trims



White  
S9526 4"



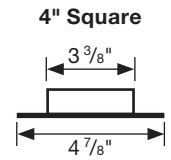
Brushed Nickel  
S9527 4"



Bronze  
S9528 4"



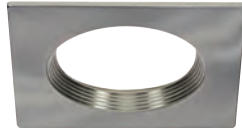
Polished Nickel  
S9529 4"



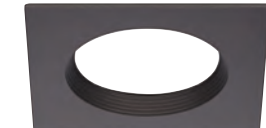
### 5 5/8" Trims



White  
S9530 5", S9534 6"



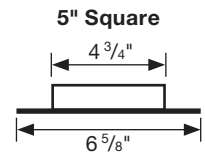
Brushed Nickel  
S9531 5", S9535 6"



Bronze  
S9532 5", S9536 6"



Polished Nickel  
S9533 5", S9537 6"



### 6" Square Adjustable Gimbal Trims



White  
S9693 6"



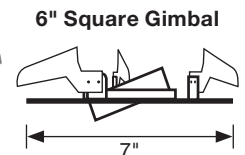
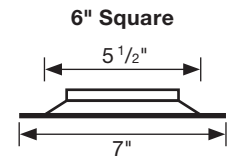
Brushed Nickel  
S9694 6"



Bronze  
S9695 6"



Polished Nickel  
S9696 6"



Item Number	Finish	UPC	Pk./Mstr.
<b>ROUND TRIMS</b>			
<b>4" ROUND TRIMS</b> - For use in 4" new work and remodel housings			
S9516	White	045923095160	12/1
S9517	Brushed Nickel	045923095177	12/1
S9518	Bronze	045923095184	12/1
S9519	Polished Nickel	045923095191	12/1
<b>5" ROUND TRIMS</b> - For use in 5" new work and remodel housings or 6" new work housings			
S9520	White	045923095207	12/1
S9521	Brushed Nickel	045923095214	12/1
S9522	Bronze	045923095221	12/1
S9523	Polished Nickel	045923095238	12/1
<b>6" ROUND TRIMS</b> - For use in 6" new work and remodel housings			
S9554	White	045923095542	12/1
S9555	Brushed Nickel	045923095559	12/1
S9556	Bronze	045923095566	12/1
S9557	Polished Nickel	045923095573	12/1
<b>GIMBAL TRIMS</b> - For use with 4" LED high lumen housings only - S9785, S9786, S9787, S9788 and S9789			
<b>6" ROUND ADJUSTABLE GIMBAL TRIMS</b> - Gimbal trims can only be used in 6" new work or remodel cans			
S9646	White	045923096464	12/1
S9647	Brushed Nickel	045923096471	12/1
S9648	Bronze	045923096488	12/1
S9649	Polished Nickel	045923096495	12/1
<b>SQUARE TRIMS</b>			
<b>4" SQUARE TRIMS</b> - For use in 4" new work and remodel housings			
S9526	White	045923095269	12/1
S9527	Brushed Nickel	045923095276	12/1
S9528	Bronze	045923095283	12/1
S9529	Polished Nickel	045923095290	12/1
<b>5" SQUARE TRIMS</b> - For use in 5" new work and remodel housings or 6" new work housings			
S9530	White	045923095306	12/1
S9531	Brushed Nickel	045923095313	12/1
S9532	Bronze	045923095320	12/1
S9533	Polished Nickel	045923095337	12/1
<b>6" SQUARE TRIMS</b> - For use in 6" new work and remodel housings			
S9534	White	045923095344	12/1
S9535	Brushed Nickel	045923095351	12/1
S9536	Bronze	045923095368	12/1
S9537	Polished Nickel	045923095375	12/1
<b>GIMBAL TRIMS</b> - For use with 4" LED high lumen housings only - S9785, S9786, S9787, S9788 and S9789			
<b>6" SQUARE ADJUSTABLE GIMBAL TRIMS</b> - Gimbal trims can only be used in 6" new work or remodel cans			
S9693	White	045923096938	12/1
S9694	Brushed Nickel	045923096945	12/1
S9695	Bronze	045923096952	12/1
S9696	Polished Nickel	045923096969	12/1



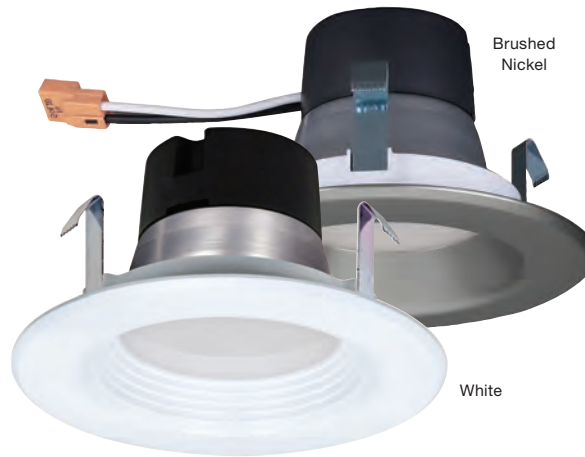
# 4" LED recessed downlight retrofits

- Residential
- Office
- Retail
- Hospitality
- Solid state LED lighting
- Direct replacement for reflector lamps
- Dimmable
- c-UL-us Classified damp location - Gimbal
- c-UL-us Classified wet location - Baffle
- JA8-2016
- CEC/T20 Compliant
- Long life—50,000 hours
- ENERGY STAR® certified\*
- 5 Year warranty

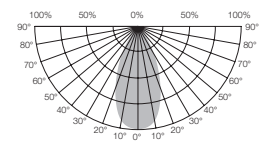
E26 Adapter included (S9001)  
 GU10 Adapter sold separately (S9000)



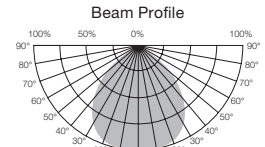
4" Downlight Gimbal



4" Downlight Baffle

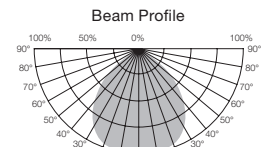
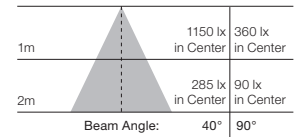


Beam Angle: 40°



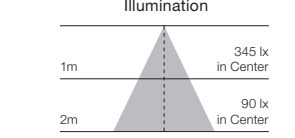
Beam Angle: 90°

illumination



Beam Angle: 90°

illumination



Available recessed cans pg. 124

## 4" LED Recessed Downlight Retrofits



Gimbal Baffle


Item Number	Lamp Description	W	V	CRI	CCT	Lm	Bm	M.O.L. (Inches)	Life/Hrs.	UPC	Pack
<b>4" LED Baffle Retrofits</b>											
S29713■	8.5WLED/RDL/4"/27K/120V	8.5	120	90	2700K	600	90°	2 7/8	50K	045923297137	16/1
S29714■	8.5WLED/RDL/4"/30K/120V	8.5	120	90	3000K	600	90°	2 7/8	50K	045923297144	16/1
S29715■	8.5WLED/RDL/4"/40K/120V	8.5	120	90	4000K	630	90°	2 7/8	50K	045923297151	16/1
S29716*	8.5WLED/RDL/4"/50K/120V	8.5	120	90	5000K	630	90°	2 7/8	50K	045923297168	16/1
<b>4" LED Gimbal Retrofits</b>											
S29463■	9.5WLED/DIR/4/40"/27K/120V	9.5	120	90	2700K	600	40°	3 5/16	50K	045923294631	8/1
S29464■	9.5WLED/DIR/4/40"/30K/120V	9.5	120	90	3000K	600	40°	3 5/16	50K	045923294648	8/1
S29465■	9.5WLED/DIR/4/40"/40K/120V	9.5	120	90	4000K	600	40°	3 5/16	50K	045923294655	8/1
S29466■	9.5WLED/DIR/4/90"/27K/120V	9.5	120	90	2700K	600	90°	3 5/16	50K	045923294662	8/1
S29467■	9.5WLED/DIR/4/90"/30K/120V	9.5	120	90	3000K	600	90°	3 5/16	50K	045923294679	8/1
S29468■	9.5WLED/DIR/4/90"/40K/120V	9.5	120	90	4000K	600	90°	3 5/16	50K	045923294686	8/1


■ Also T24 compliant.

# 5"/6" LED recessed downlight retrofits

- Residential
- Office
- Retail
- Hospitality
- Solid state LED lighting
- Direct replacement for reflector lamps
- Dimmable
- High efficiency/Environmentally friendly
- c-UL-us Classified damp location - Gimbal
- c-UL-us Classified wet location - Baffle
- JA8-2016
- CEC/T20 Compliant
- Long life—50,000 hours
- ENERGY STAR® certified\*
- 5 Year warranty

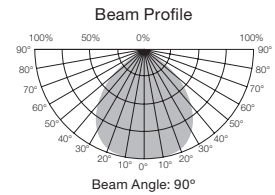
E26 Adapter included (S9001)  
 GU24 Adapter sold separately (S8999)  
 GU10 Adapter sold separately (S9000)

 Pressure bracket (80-2676)  
 alternate installation option available.

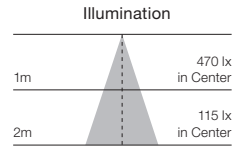
 Torsion springs (80/2709)



5"/6" Downlight Gimbal



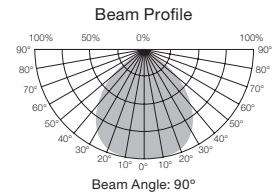
Beam Angle: 90°



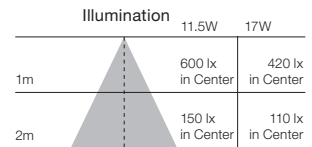
Beam Angle: 90°



5"/6" Downlight Baffle



Beam Angle: 90°



Beam Angle: 90°

Available recessed cans pg. 124

## 5"/6" LED Recessed Downlight Retrofits



Item Number	Lamp Description	W	V	CRI	CCT	Lm	Bm	M.O.L. (Inches)	Life/Hrs.	Gimbal		Baffle	
										UPC	Pack	UPC	Pack
<b>5"/6" LED Baffle Retrofits</b>													
S29724	10.5WLED/RDL/5"-6"/27K/120V	10.5	120	90	2700K	800	90°	3 7/16	50K	045923297243	8/1		
S29725	10.5WLED/RDL/5"-6"/30K/120V	10.5	120	90	3000K	800	90°	3 7/16	50K	045923297250	8/1		
S29726	10.5WLED/RDL/5"-6"/40K/120V	10.5	120	90	4000K	840	90°	3 7/16	50K	045923297267	8/1		
S29727	10.5WLED/RDL/5"-6"/50K/120V	10.5	120	90	5000K	840	90°	3 7/16	50K	045923297274	8/1		
S29740	15.5WLED/RDL/5"-6"/27K/120V	15.5	120	90	2700K	1200	90°	3 7/16	50K	045923297403	8/1		
S29741	15.5WLED/RDL/5"-6"/30K/120V	15.5	120	90	3000K	1200	90°	3 7/16	50K	045923297410	8/1		
S29742	15.5WLED/RDL/5"-6"/40K/120V	15.5	120	90	4000K	1260	90°	3 7/16	50K	045923297427	8/1		
S29743*	15.5WLED/RDL/5"-6"/50K/120V	15.5	120	90	5000K	1260	90°	3 7/16	50K	045923297434	8/1		
<b>5"/6" LED Gimbal Retrofits</b>													
S29472	13WLED/DIR/5"-6"/27K/120V	13	120	90	2700K	800	90°	4 1/4	50K	045923094729	8/1		
S29473	13WLED/DIR/5"-6"/30K/120V	13	120	90	3000K	800	90°	4 1/4	50K	045923094736	8/1		
S29474	13WLED/DIR/5"-6"/40K/120V	13	120	90	4000K	840	90°	4 1/4	50K	045923094743	8/1		

■ Also T24 compliant.

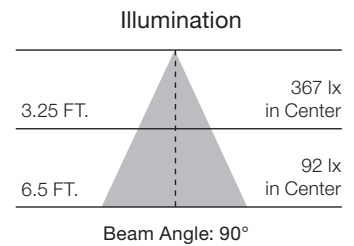
**RECESSED**

# 5 5/8" LED recessed downlight retrofits

- Residential
- Office
- Retail
- Hospitality
- Direct replacement for reflector lamps
- High efficiency/environmentally friendly
- Dimmable\*\*\*
- Wet location
- c-UL-us Classified
- Long life—35,000 hours
- ENERGY STAR® certified\*
- 5 Year warranty\*\*

E26 Adapter included 

This retrofit is for use with recessed housings with an E26 socket only.



Available recessed cans pg. 124

## 5 5/8" LED Recessed Downlight Retrofits



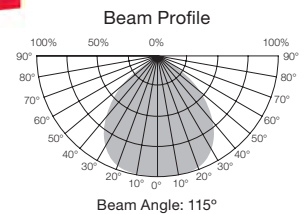
Item Number	Lamp Description	W	V	CRI	CCT	Lm	Bm	M.O.L. (Inches)	Life/Hrs.	UPC	Pack/Master
S29312*	9.8WLED/RDL/5-6/27K/120V	9.8	120	90	2700K	650	90°	2 5/16	35K	045923293122	12/1
S29313*	9.8WLED/RDL/5-6/30K/120V	9.8	120	90	3000K	650	90°	2 5/16	35K	045923293139	12/1
S29314*	9.8WLED/RDL/5-6/40K/120V	9.8	120	90	4000K	650	90°	2 5/16	35K	045923293146	12/1
S29315*	9.8WLED/RDL/5-6/50K/120V	9.8	120	90	5000K	650	90°	2 5/16	35K	045923293153	12/1

\*\*\* Consult Satco or visit [www.satco.com](http://www.satco.com) for an up to date dimmer compatibility list. \*\* See separate warranty for complete terms and conditions.

# Quick Trim™ 4", 5"/6" LED recessed downlight retrofit 2-packs

Innovative design—  
adjustable neck makes  
installation into any  
recessed can easy

- Residential
- Office
- Retail
- Hospitality
- Direct replacement for reflector lamps
- Dimmable\*\*\*
- Damp location listed
- Long life—25,000 hours
- ENERGY STAR® certified\*
- 5 Year warranty



illumination	4"	5"-6"
1m	340 lx in Center	420 lx in Center
2m	85 lx in Center	100 lx in Center

Beam Angle: 115°



Extends to reach the socket.  
Retracts to meet the surface.



Screw lamp into  
existing socket.



Push into the fixture  
until the trim is flush  
against surface.

Available recessed cans pg. 124

## LED Recessed Downlight Retrofit 2-Packs

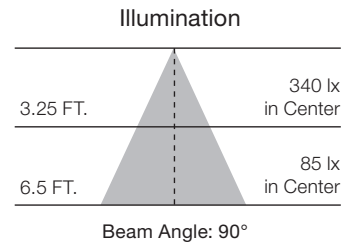
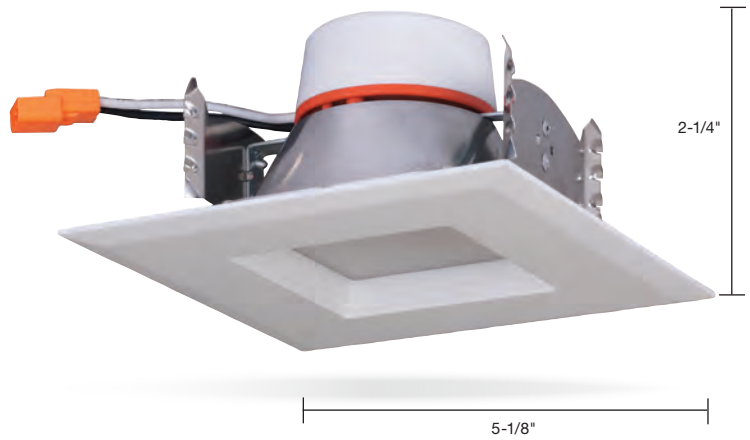



Item Number	Lamp Description	W	V	CRI	CCT	Lm	Bm	M.O.L. (Inches)	Life/Hrs.	UPC	Pack
S9598*	8.5WLED/4"TRIM/27K/120V/2PK	8.5	120	80	2700K	510	115°	3 13/16 - 5 3/8	25K	045923095986	12-2pks
S9599*	12WLED/5-6"TRIM/27K/120V/2PK	12	120	80	2700K	800	110°	4 1/2 - 6 5/16	25K	045923095993	12-2pks

\*\*\* Consult Satco or visit [www.satco.com](http://www.satco.com) for an up to date dimmer compatibility list.

# 4" LED square trim recessed downlight retrofits

- Residential
- Office
- Retail
- Hospitality
- 45 Watt replacement uses only 9 Watts
- Direct replacement for reflector lamps
- Durable die-cast finish
- Dimmable\*\*\*
- Wet location
- c-UL-us Classified
- JA8-2016
- CEC/T20 Compliant
- Long life—50,000 hours
- ENERGY STAR® certified\*
- 5 Year warranty



E26 Adapter included  (S9001)  
 GU24 Adapter sold separately (S8999)  
 GU10 Adapter sold separately (S9000)  
 Fits in round cans

Available recessed cans pg. 124

## 4" LED Square Trim Recessed Downlight Retrofits



Item Number	Lamp Description	W	V	CRI	CCT	Lm	Bm	M.O.L. (Inches)	Life/Hrs.	UPC	Pack
S29756■	9WLED/4/SQ/27K/120V	9	120	90	2700K	600	90°	4	50K	045923297564	24/1
S29757■	9WLED/4/SQ/30K/120V	9	120	90	3000K	600	90°	4	50K	045923297571	24/1
S29758■	9WLED/4/SQ/40K/120V	9	120	90	4000K	600	90°	4	50K	045923297588	24/1
S29759*	9WLED/4/SQ/50K/120V	9	120	90	5000K	600	90°	4	50K	045923297595	24/1

\*\*\* Consult Satco or visit [www.satco.com](http://www.satco.com) for an up to date dimmer compatibility list. ■ Also T24 compliant.

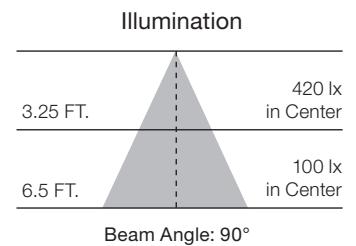
# 5"/6" LED square trim recessed downlight retrofits

- Residential
- Office
- Retail
- Hospitality
- Up to 85 Watt replacement uses only 15 Watts
- Direct replacement for reflector lamps
- Durable die-cast finish
- Dimmable\*\*\*
- Wet location
- c-UL-us Classified
- JA8-2016
- CEC/T20 Compliant
- Long life—50,000 hours
- ENERGY STAR® certified\*
- 5 Year warranty



**RECESSED**

E26 Adapter included (S9001)  
 GU24 Adapter sold separately (S8999)  
 GU10 Adapter sold separately (S9000)  
 Fits in round cans



Available recessed cans pg. 124

## 5"/6" LED Square Trim Recessed Downlight Retrofits



Item Number	Lamp Description	W	V	CRI	CCT	Lm	Bm	M.O.L. (Inches)	Life/Hrs.	UPC	Pack
S29770* ■	15WLED/5-6/SQ/27K/120V	15	120	90	2700K	1000	90°	5-6	50K	045923297700	12/1
S29771* ■	15WLED/5-6/SQ/30K/120V	15	120	90	3000K	1000	90°	5-6	50K	045923297717	12/1
S29772* ■	15WLED/5-6/SQ/40K/120V	15	120	90	4000K	1000	90°	5-6	50K	045923297724	12/1
S29773*	15WLED/5-6/SQ/50K/120V	15	120	90	5000K	1000	90°	5-6	50K	045923297731	12/1

\*\*\* Consult Satco or visit [www.satco.com](http://www.satco.com) for an up to date dimmer compatibility list. ■ Also T24 compliant.

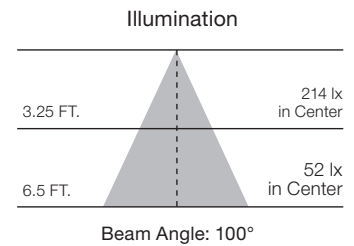


# 4" LED direct wire edge-lit downlights

- Residential
- Office
- Retail
- Hospitality
- Drop ceilings
- Remodeling
- Direct replacement for 45 Watt reflector lamps uses only 8.5 Watts
- Edge lit technology
- Slim design
- Integrated j-box for direct wire installation saves time and materials
- Damp location
- Dimmable\*\*\*
- c-UL-us listed
- Long life—40,000 hours
- ENERGY STAR® certified\*
- 5 Year warranty

## Highlights

- Easy install spring clips
- IC rated
- Low profile
- No recessed can required



Available recessed cans pg. 124

## 4" LED Direct Wire Edge-Lit Downlights



Item Number	Lamp Description	W	V	CRI	CCT	Lm	Bm	M.O.L. (Inches)	Life/Hrs.	UPC	Pack
S29055*	8.5WLED/DW/EL/4/27K/120V	8.5	120	83	2700K	500	100°	1 15/16	40K	045923200014	12/1
S29056*	8.5WLED/DW/EL/4/30K/120V	8.5	120	83	3000K	500	100°	1 15/16	40K	045923290565	12/1
S29057*	8.5WLED/DW/EL/4/40K/120V	8.5	120	83	4000K	500	100°	1 15/16	40K	045923290572	12/1
S29058*	8.5WLED/DW/EL/4/50K/120V	8.5	120	83	5000K	500	100°	1 15/16	40K	045923290589	12/1

\*\*\* Consult Satco or visit [www.satco.com](http://www.satco.com) for an up to date dimmer compatibility list.

# 6" LED direct wire edge-lit downlights

- Residential
- Office
- Retail
- Hospitality
- Drop ceilings
- Remodeling
- Direct replacement for 65 Watt reflector lamps uses only 11.6 Watts
- Edge lit technology
- Slim design
- Integrated j-box for direct wire installation saves time and materials
- Damp location
- Dimmable\*\*\*
- c-UL-us listed
- Long life—40,000 hours
- ENERGY STAR® certified\*
- 5 Year warranty

## Highlights

- Easy install spring clips
- IC rated
- Low profile
- No recessed cans required

Available recessed cans pg. 124

## 6" LED Direct Wire Edge-Lit Downlights

Item Number	Lamp Description	W	V	CRI	CCT	Lm	Bm	M.O.L. (Inches)	Life/Hrs.	UPC	Pack
S29061*	11.6WLED/DW/EL/5-6/27K/120V	11.6	120	83	2700K	800	100°	1 15/16	40K	045923290619	12/1
S29062*	11.6WLED/DW/EL/5-6/30K/120V	11.6	120	83	3000K	800	100°	1 15/16	40K	045923290626	12/1
S29063*	11.6WLED/DW/EL/5-6/40K/120V	11.6	120	83	4000K	800	100°	1 15/16	40K	045923290633	12/1
S29059*	11.6WLED/DW/EL/5-6/50K/120V	11.6	120	83	5000K	800	100°	1 15/16	40K	045923290596	12/1

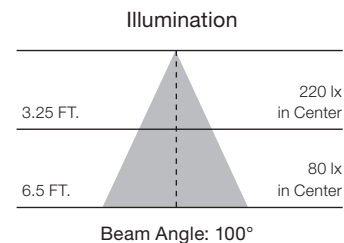
\*\*\* Consult Satco or visit [www.satco.com](http://www.satco.com) for an up to date dimmer compatibility list.



Top view



RECESSED



# 4" LED direct wire downlights

- Residential
- Office
- Retail
- Hospitality
- Drop ceilings
- Remodeling
- Direct replacement for 45 Watt reflector lamps uses only 7 Watts
- Integrated j-box for direct wire installation saves time and materials
- Wet location
- Dimmable\*\*\*
- c-UL-us listed
- Long life—40,000 hours
- ENERGY STAR® certified\*
- 5 Year warranty

## Highlights

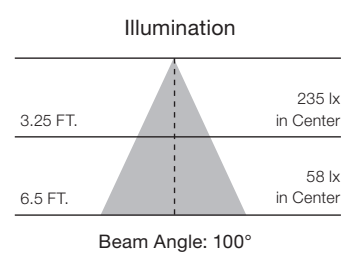
- Easy install spring clips
- IC rated
- Low profile
- No recessed can required

Available recessed cans pg. 124

## 4" LED Direct Wire Downlights

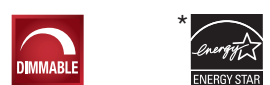


Top view



Item Number	Lamp Description	W	V	CRI	CCT	Lm	Bm	M.O.L. (Inches)	Life/Hrs.	UPC	Pack
S29011*	7WLED/DW/RDL/4/27K/120V	7	120	83	2700K	550	100°	2 ¾	40K	045923290114	12/1
S29012*	7WLED/DW/RDL/4/30K/120V	7	120	83	3000K	550	100°	2 ¾	40K	045923290121	12/1
S29013*	7WLED/DW/RDL/4/40K/120V	7	120	83	4000K	550	100°	2 ¾	40K	045923290138	12/1
S29021*	7WLED/DW/RDL/4/50K/120V	7	120	83	5000K	550	100°	2 ¾	40K	045923290213	12/1

\*\*\* Consult Satco or visit [www.satco.com](http://www.satco.com) for an up to date dimmer compatibility list.



# 6" LED direct wire downlights

- Residential
- Office
- Retail
- Hospitality
- Drop ceilings
- Remodeling
- Direct replacement for 65 Watt reflector lamps uses only 9 Watts
- Integrated j-box for direct wire installation saves time and materials
- Wet location
- Dimmable\*\*\*
- c-UL-us listed
- Long life—40,000 hours
- ENERGY STAR® certified\*
- 5 Year warranty

## Highlights

- Easy install spring clips
- IC rated
- Low profile
- No recessed can required

Available recessed cans pg. 124

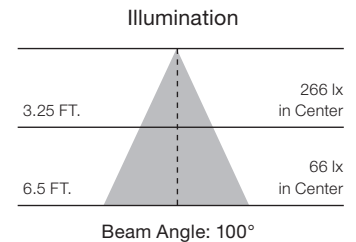
## 6" LED Direct Wire Downlights

Item Number	Lamp Description	W	V	CRI	CCT	Lm	Bm	M.O.L. (Inches)	Life/Hrs.	UPC	Pack
S29026*	9WLED/DW/RDL/5-6/27K/120V	9	120	83	2700K	700	100°	2 13/16	40K	045923290268	12/1
S29027*	9WLED/DW/RDL/5-6/30K/120V	9	120	83	3000K	700	100°	2 13/16	40K	045923290275	12/1
S29028*	9WLED/DW/RDL/5-6/40K/120V	9	120	83	4000K	700	100°	2 13/16	40K	045923290282	12/1
S29029*	9WLED/DW/RDL/5-6/50K/120V	9	120	83	5000K	700	100°	2 13/16	40K	045923290299	12/1

\*\*\* Consult Satco or visit [www.satco.com](http://www.satco.com) for an up to date dimmer compatibility list.



**RECESSED**



# Commercial LED downlights

## Applications

- Residential/commercial
- Office
- Retail
- Hospitality
- Manufacturing
- Municipal/government

## Features

- Direct replacements for incandescent, Halogen and CFL technologies
- 4" Replaces up to 2x18 Watt CFLs using only 15 Watts
- 6" Replaces up to 2x26 Watt CFLs using only 25 Watts
- 8" Replaces up to 2x32 Watt CFLs or MH70 using only 35 Watts
- 10" Replaces up to 2x42 Watt CFLs or MH70 using only 50 Watts
- External driver for simple retrofitting
- Quick connect for easy installation
- 100-277 Input voltage, 50/60Hz
- 0-10V Dimming to 10%\*
- 90 CRI
- Damp location
- cULus listed
- ENERGY STAR certified
- 5 Year warranty
- IC rated



## Commercial LED Recessed Downlights

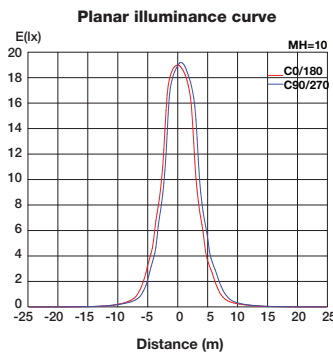
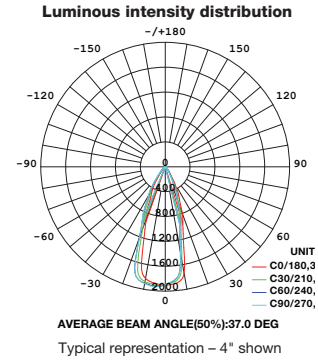
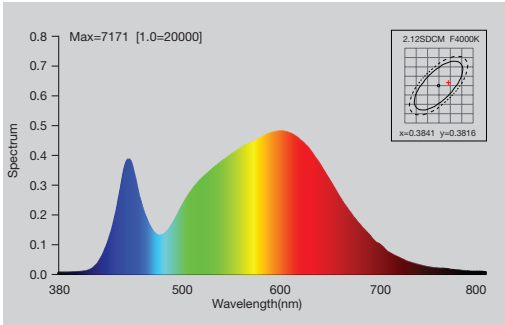


Item Number	Lamp Description	W	V	CRI	CCT	LM	BM	MOL	Life/Hrs.	UPC
S8705	15WLED/CDL/4"/4K/120-277	15	100-277	90	4000	1020	40°	7.28	50000	045923087059
S8706	25WLED/CDL/6"/4K/120-277	25	100-277	90	4000	1750	40°	7.48	50000	045923087066
S8707	35WLED/CDL/8"/4K/120-277	35	100-277	90	4000	2450	40°	8.66	50000	045923087073
S8708	50WLED/CDL/10"/4K/120-277	50	100-277	90	4000	3500	40°	9.25	50000	045923087080

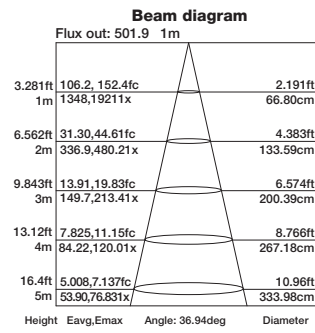
\*Visit [www.satco.com](http://www.satco.com) for 0-10V dimmer compatibility

Pack: Master 4/1

# Spectral Distribution, 4000K



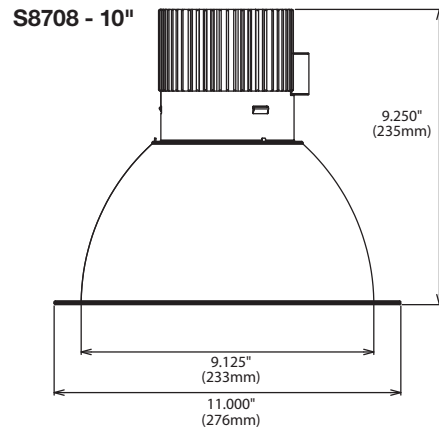
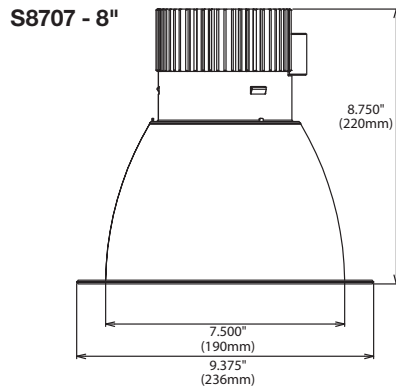
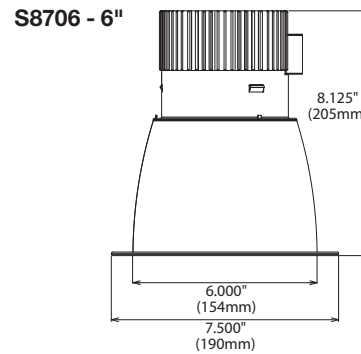
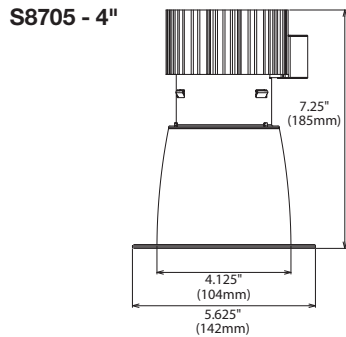
Typical representation - 4" shown



Note: The Curves indicate the illuminated area and the average illumination when the luminaire is at different distance.

Typical representation - 4" shown

## Dimensions





# Commercial LED downlight Frame-In Kits

## Applications

- Residential/commercial
- Office
- Retail
- Hospitality

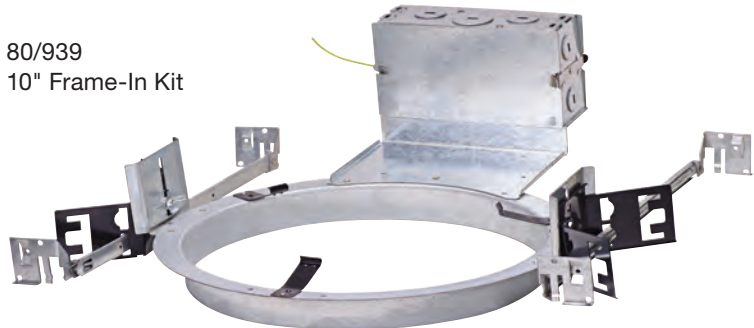
## Features

- 14"-25" Adjustable arms
- Integrated J-box
- Rugged construction
- Wood joist or T-bar installation
- Suitable for new construction in commercial applications
- Overall structure is made of galvanized sheet, fire-proof and heat resistant
- The junction box is detachable for easy wiring
- 4", 6", 8", 10"
- 2 sets extended bars provided for the for the bracket, could be extended and shortened within 12-3/4" - 24"
- There are four 7/8" knockouts with slots for pryouts for connections on the junction box
- Spare knockouts with slots: Two 1-1/8", another two 9/16" on the left size
- No. 18 AWG ground wire is provided on the bracket

80/936  
4" Frame-In Kit



80/939  
10" Frame-In Kit



## Commercial LED Recessed Downlight Brackets

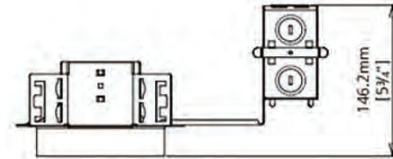
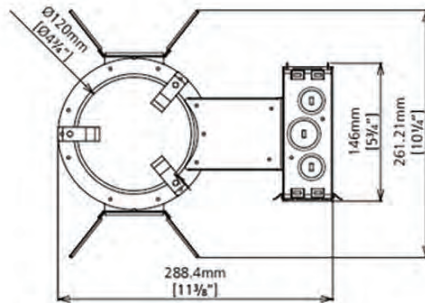


Item Number	Description	UPC	Pack
80/936	MOUNT. PLATE/BARS 4" C-RDL/2PK	045923809361	2pk
80/937	MOUNT. PLATE/BARS 6" C-RDL/2PK	045923809378	2pk
80/938	MOUNT. PLATE/BARS 8" C-RDL/2PK	045923809385	2pk
80/939	MOUNT. PLATE/BARS 10" C-RDL/2PK	045923809392	2pk

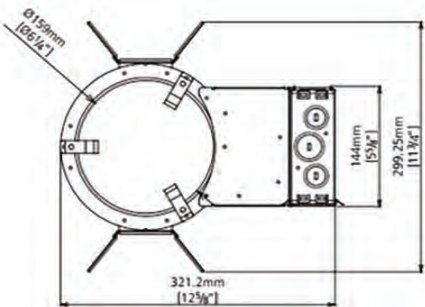
Pack: Master 4/2

# Product Dimensions

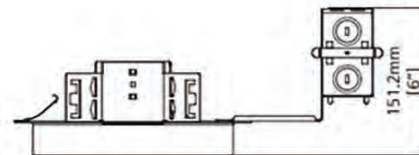
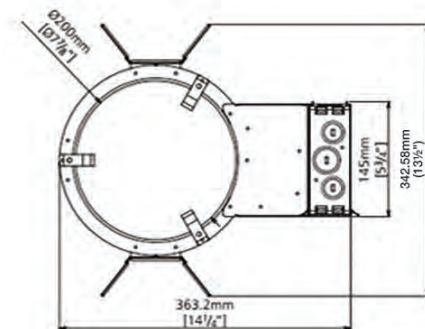
80-936 - 4"



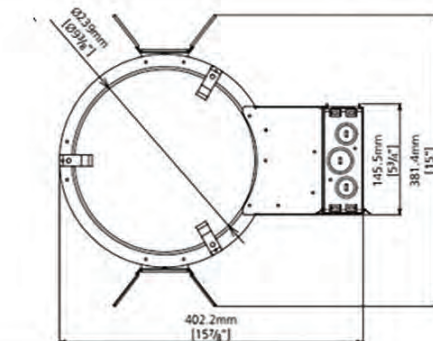
80-937 - 6"



80-938 - 8"



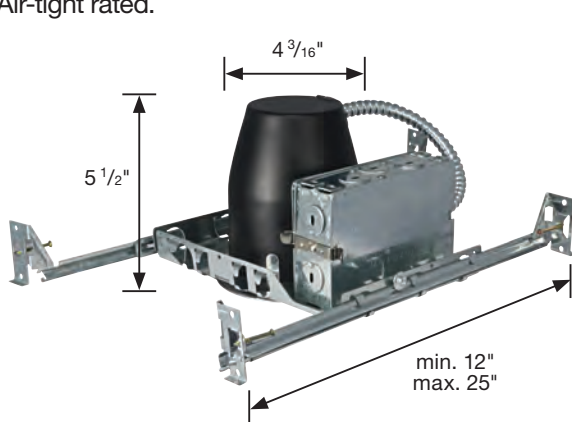
80-939 - 10"



**RECESSED**

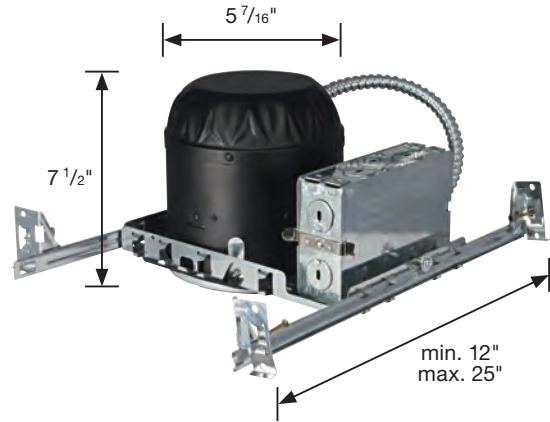
## LED ready recessed can assemblies

Air-tight rated.



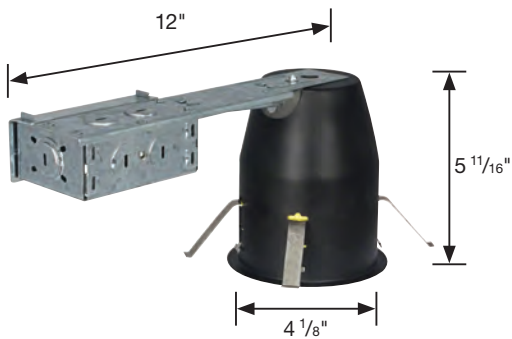
### S9538 4" Can – New Construction

- For 120V, 60Hz, 18W max.
- Suitable for wet and damp locations\*
- For use only with UL or cUL classified LED or equivalent
- IC Rated



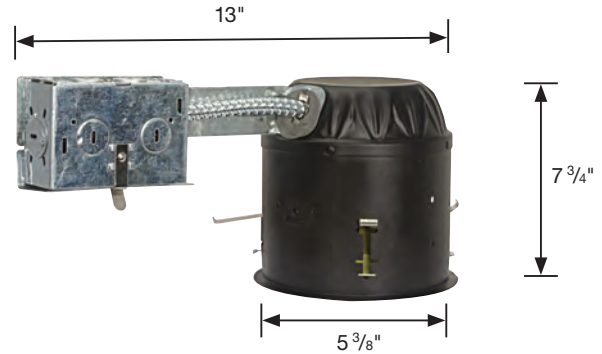
### S9540 5/6" Can – New Construction

- For 120V, 60Hz, 24W max.
- Suitable for wet and damp locations\*
- For use only with UL or cUL classified LED or equivalent
- IC Rated



### S9539 4" Can – Remodel

- For 120V, 60Hz, 18W max.
- Suitable for wet and damp locations\*
- For use only with UL or cUL classified LED or equivalent
- IC Rated



### S9541 5/6" Can – Remodel

- For 120V, 60Hz, 24W max.
- Suitable for wet and damp locations\*
- For use only with UL or cUL classified LED or equivalent
- IC Rated

Quick-connect plugs  
make installation  
even easier.





## Compact. Efficient. Attractive.

Track lighting has come a long way, and Nuvo Lighting has been a leader in change. Our LED track heads, track lighting kits and accessories are beautiful and functional. A choice of finishes, shapes, clean, sleek design and of course the efficiency of LED technology come together to create a complete track lighting package suitable for even the most challenging commercial and residential applications.

LED track lighting makes challenging projects easy.

TRACK

# LED track heads

LED efficiency, high quality and great value.

## Features

- Direct replacement for 75 Watt incandescent uses only 12 Watts
- 24° and 36° beam angles
- Dimmable
- 3000K
- 90+ CRI
- 820 lumens
- Long life—30,000 Hours
- Sleek, clean design
- Die cast construction
- 3 Year warranty



### Round

TH401 White, 24°  
 TH403 White, 36°  
 TH402 Black, 24°  
 TH404 Black, 36°  
 TH405 Brushed Nickel, 24°  
 TH407 Brushed Nickel, 36°  
 Dimensions: Width 3",  
 Height 2 1/4", Ext. 5 1/8"

### Pinch Back

TH411 White, 24°  
 TH413 White, 36°  
 TH412 Black, 24°  
 TH414 Black, 36°  
 TH415 Brushed Nickel, 24°  
 TH417 Brushed Nickel, 36°  
 Dimensions: Width 2 3/4",  
 Height 2 3/4", Ext. 5 5/8"

### Angle Arm

TH421 White, 24°  
 TH423 White, 36°  
 TH422 Black, 24°  
 TH424 Black, 36°  
 TH425 Brushed Nickel, 24°  
 TH427 Brushed Nickel, 36°  
 Dimensions: Width 2 1/2",  
 Height 2 3/8", Ext. 6 1/4"

## LED Track Heads

**12 WATTS**
**REPLACES 75W**
**3000 K**
**90 CRI**
**30,000 HOURS**

Item Number	Description	W	Lm	Beam	Finish	CCT	Life/Hrs.	UPC	Pack
TH401	Round White 24° LED Track Head	12	820	24°	White	3000K	30K	045923404016	12/1
TH403	Round White 36° LED Track Head	12	820	36°	White	3000K	30K	045923404030	12/1
TH402	Round Black 24° LED Track Head	12	820	24°	Black	3000K	30K	045923404023	12/1
TH404	Round Black 36° LED Track Head	12	820	36°	Black	3000K	30K	045923404047	12/1
TH405	Round Brushed Nickel 24° LED Track Head	12	820	24°	Brushed Nickel	3000K	30K	045923404054	12/1
TH407	Round Brushed Nickel 36° LED Track Head	12	820	36°	Brushed Nickel	3000K	30K	045923404078	12/1
TH411	Pinch Back White 24° LED Track Head	12	820	24°	White	3000K	30K	045923404115	12/1
TH413	Pinch Back White 36° LED Track Head	12	820	36°	White	3000K	30K	045923404139	12/1
TH412	Pinch Back Black 24° LED Track Head	12	820	24°	Black	3000K	30K	045923404122	12/1
TH414	Pinch Back Black 36° LED Track Head	12	820	36°	Black	3000K	30K	045923404146	12/1
TH415	Pinch Back Brushed Nickel 24° LED Track Head	12	820	24°	Brushed Nickel	3000K	30K	045923404153	12/1
TH417	Pinch Back Brushed Nickel 36° LED Track Head	12	820	36°	Brushed Nickel	3000K	30K	045923404177	12/1
TH421	Angle Arm White 24° LED Track Head	12	820	24°	White	3000K	30K	045923404214	12/1
TH423	Angle Arm White 36° LED Track Head	12	820	36°	White	3000K	30K	045923404238	12/1
TH422	Angle Arm Black 24° LED Track Head	12	820	24°	Black	3000K	30K	045923404221	12/1
TH424	Angle Arm Black 36° LED Track Head	12	820	36°	Black	3000K	30K	045923404245	12/1
TH425	Angle Arm Brushed Nickel 24° LED Track Head	12	820	24°	Brushed Nickel	3000K	30K	045923404252	12/1
TH427	Angle Arm Brushed Nickel 36° LED Track Head	12	820	36°	Brushed Nickel	3000K	30K	045923404276	12/1
TH431	12W LED Track head - Barrel	12	820	24°	White	3000K	30K	045923404313	12/1
TH433	12W LED Track head - Barrel	12	820	36°	White	3000K	30K	045923404337	12/1
TH432	12W LED Track head - Barrel	12	820	24°	Black	3000K	30K	045923404320	12/1
TH434	12W LED Track head - Barrel	12	820	36°	Black	3000K	30K	045923404344	12/1
TH435	12W LED Track head - Barrel	12	820	24°	Brushed Nickel	3000K	30K	045923404351	12/1
TH437	12W LED Track head - Barrel	12	820	36°	Brushed Nickel	3000K	30K	045923404375	12/1





**Barrel**

TH431 White, 24°  
 TH433 White, 36°  
 TH432 Black, 24°  
 TH434 Black, 36°  
 TH435 Brushed Nickel, 24°  
 TH437 Brushed Nickel, 36°  
 Dimensions: Width 2 1/4",  
 Height 3 1/4", Ext. 5"

**Pipe**

TH441 White, 24°  
 TH443 White, 36°  
 TH442 Black, 24°  
 TH444 Black, 36°  
 TH445 Brushed Nickel, 24°  
 TH447 Brushed Nickel, 36°  
 Dimensions: Width 2 3/8",  
 Height 2 3/8", Ext. 5 3/16"

**Taper Back**

TH451 White, 24°  
 TH453 White, 36°  
 TH452 Black, 24°  
 TH454 Black, 36°  
 TH455 Brushed Nickel, 24°  
 TH457 Brushed Nickel, 36°  
 Dimensions: Width 2 13/16",  
 Height 3 1/4", Ext. 5 1/4"

**Square**

TH461 White, 24°  
 TH463 White, 36°  
 TH462 Black, 24°  
 TH464 Black, 36°  
 TH465 Brushed Nickel, 24°  
 TH467 Brushed Nickel, 36°  
 Dimensions: Width 2 3/8",  
 Height 2 3/4", Ext. 5 3/16"

**Small Cylinder**

TH471 White, 24°  
 TH473 White, 36°  
 TH472 Black, 24°  
 TH474 Black, 36°  
 TH475 Brushed Nickel, 24°  
 TH477 Brushed Nickel, 36°  
 Dimensions: Width 2 3/16",  
 Height 3 1/2", Ext. 5 3/16"

**12 WATTS**
**REPLACES 75W**
**3000 K**
**90 CRI**
**30,000 HOURS**

Item Number	Description	W	Lm	Beam	Finish	CCT	Life/Hrs.	UPC	Pack
TH441	12W LED Track Head - Pipe	12	820	24°	White	3000K	30K	045923404412	12/1
TH443	12W LED Track Head - Pipe	12	820	36°	White	3000K	30K	045923404436	12/1
TH442	12W LED Track Head - Pipe	12	820	24°	Black	3000K	30K	045923404429	12/1
TH444	12W LED Track Head - Pipe	12	820	36°	Black	3000K	30K	045923404429	12/1
TH445	12W LED Track Head - Pipe	12	820	24°	Brushed Nickel	3000K	30K	045923404450	12/1
TH447	12W LED Track Head - Pipe	12	820	36°	Brushed Nickel	3000K	30K	045923404474	12/1
TH451	12W LED Track Head Taper Back	12	820	24°	White	3000K	30K	045923404511	12/1
TH453	12W LED Track Head Taper Back	12	820	36°	White	3000K	30K	045923404535	12/1
TH452	12W LED Track Head Taper Back	12	820	24°	Black	3000K	30K	045923404528	12/1
TH454	12W LED Track Head Taper Back	12	820	36°	Black	3000K	30K	045923404542	12/1
TH455	12W LED Track Head Taper Back	12	820	24°	Brushed Nickel	3000K	30K	045923404559	12/1
TH457	12W LED Track Head Taper Back	12	820	36°	Brushed Nickel	3000K	30K	045923404573	12/1
TH461	12W LED Track Head Square	12	820	24°	White	3000K	30K	045923404610	12/1
TH463	12W LED Track Head Square	12	820	36°	White	3000K	30K	045923404634	12/1
TH462	12W LED Track Head Square	12	820	24°	Black	3000K	30K	045923404627	12/1
TH464	12W LED Track Head Square	12	820	36°	Black	3000K	30K	045923404641	12/1
TH465	12W LED Track Head Square	12	820	24°	Brushed Nickel	3000K	30K	045923404658	12/1
TH467	12W LED Track Head Square	12	820	36°	Brushed Nickel	3000K	30K	045923404672	12/1
TH471	12W LED Track Small Cylinder	12	820	24°	White	3000K	30K	045923404719	12/1
TH473	12W LED Track Small Cylinder	12	820	36°	White	3000K	30K	045923404733	12/1
TH472	12W LED Track Small Cylinder	12	820	24°	Black	3000K	30K	045923404726	12/1
TH474	12W LED Track Small Cylinder	12	820	36°	Black	3000K	30K	045923404740	12/1
TH475	12W LED Track Small Cylinder	12	820	24°	Brushed Nickel	3000K	30K	045923404757	12/1
TH477	12W LED Track Small Cylinder	12	820	36°	Brushed Nickel	3000K	30K	045923404771	12/1

**TRACK**



# LED track kits and accessories

## Features

- 2460 lumens - 820 lumens per head
- 36° beam angles
- Dimmable
- 3000K
- 90+ CRI
- Long life—30,000 hours
- Sleek, clean design
- Die cast construction
- 3 Year warranty

## Includes

- 4' Track
- Floating canopy power feed
- All necessary mounting hardware



3 Conductor "H" type connector



Track with end cap removed

### Round

- TK403 White, 36°
- TK404 Black, 36°
- TK407 Brushed Nickel, 36°



White shown

### Pinch Back

- TK413 White, 36°
- TK414 Black, 36°
- TK417 Brushed Nickel, 36°



Black shown

### Angle Arm

- TK423 White, 36°
- TK424 Black, 36°
- TK427 Brushed Nickel, 36°



Brushed Nickel shown

## LED Track Kits and Accessories

36 WATTS

3000 K

90 CRI

30,000 HOURS



Item Number	Description	V	Total Watts	Finish	Total Lumens	CCT	Life/Hrs.	UPC	Pack
TK403	Round White 3 Light LED Track Kit	120	36	White	2460	3000K	30K	045923434037	4/1
TK404	Round Black 3 Light LED Track Kit	120	36	Black	2460	3000K	30K	045923434044	4/1
TK407	Round Brushed Nickel 3 Light LED Track Kit	120	36	Brushed Nickel	2460	3000K	30K	045923434075	4/1
TK413	Pinch Back White 3 Light LED Track Kit	120	36	White	2460	3000K	30K	045923434136	4/1
TK414	Pinch Back Black 3 Light LED Track Kit	120	36	Black	2460	3000K	30K	045923434143	4/1
TK417	Pinch Back Brushed Nickel 3 Light LED Track Kit	120	36	Brushed Nickel	2460	3000K	30K	045923434174	4/1
TK423	Angle Arm White 3 Light LED Track Kit	120	36	White	2460	3000K	30K	045923434235	4/1
TK424	Angle Arm Black 3 Light LED Track Kit	120	36	Black	2460	3000K	30K	045923434242	4/1
TK427	Angle Arm Brushed Nickel 3 Light LED Track Kit	120	36	Brushed Nickel	2460	3000K	30K	045923434273	4/1

# Track accessories

## Tracks

All tracks include two dead end caps and all mounting hardware  
 Dimensions: Height 5/8", Width 1 5/16"  
 (length and color options below)

Size	White	Black	Brushed Nickel
2 FT	TR118	TR119	TR126
4 FT	TR120	TR121	TR127
6 FT	TR124	TR125	TR128
8 FT	TR122	TR123	TR129

Master Carton / 6

See Nuvo NU4030 for complete track program.



Track with end cap removed

3 Conductor "H" type connector

## Track Power Feeds



### Floating Canopy

Electrifies the track anywhere along the length of the run

- TP154 White
- TP155 Black
- TP202 Brown



### Conduit Live End

Electrifies the track from the end of the run to a conduit pipe

- TP169 White
- TP170 Black
- TP203 Brown



### Live End and Canopy

Electrifies the track from the end of the run

- TP152 White
- TP153 Black
- TP204 Brown



### "T" Connector

Connects three tracks together in a "T" shape pattern

- TP148 White
- TP149 Black
- TP207 Brown



### Inline Feed

Connects tracks in a straight run and supplies power

- TP171 White
- TP172 Black
- TP211 Brown

Master Carton / 12

## Track Connectors



### Mini Straight Connector

Connects tracks in a straight run

- TP144 White
- TP145 Black
- TP 205 Brown



### "L" Connector

Connects tracks at a 90° angle

- TP146 White
- TP147 Black
- TP208 Brown



### "X" Connector

Connects four tracks together in an "X" shape pattern

- TP150 White
- TP151 Black
- TP206 Brown



### Flexible Connector

Variable angle connector

- TP167 White
- TP168 Black
- TP209 Brown

Master Carton / 12

Thread® linear LED lighting system.  
Simple. Functional. Consistent. Reliable.



**THREAD®**  
LINEAR LED SYSTEM



Cove and  
under-cabinet

Add dramatic LED lighting to any space, simply.

# Thread Linear LED System Technical Overview

## Thread internals

- Advanced on-board IC direct drive technology
- No external driver required
- No capacitor = greater reliability and longer life
- Reduced size

LED Packages



Patented IC Direct Drive Circuitry



## Linear lighting continuity

- Custom PCB (printed circuit board) layout and fixture body design maintain LED package spacing as LED fixtures are joined together.

Consistent 0.5" LED Package Spacing



## Removable diffuser lens (included)

- Softens visual glare
- Reduced reflectivity of LEDs from polished surfaces
- With lens removed lumen output increases by approximately 15%
- Beam angle 110°

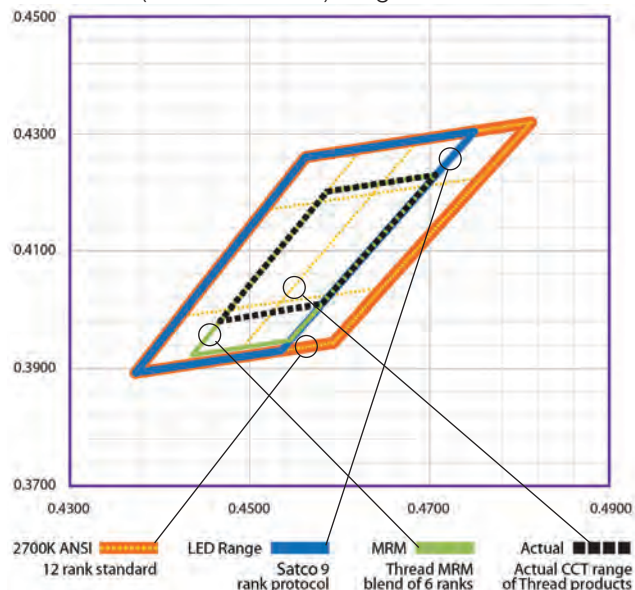


## Advanced color management

### It's what makes Thread different.

- The ANSI range of 2700K is divided into 12 ranks.
- Our LED Packages only use 9 of the 12 ranks within the ANSI standard.
- Without the MRM procedure, the CCT may be spread over the range inside the blue diamond.
- After MRM, the range of CCT will shrink to within the green diamond.
- The Thread system, uses only 6 ranks and blends those ranks, so that the actual CCT range is much smaller and is similar to a 5-step MacAdam ellipse. Ranking falls within the black dashed diamond.

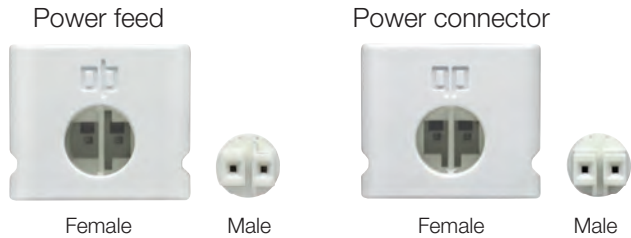
MRM (Multi-Rank Mix) Diagram



# Connections are quick and easy

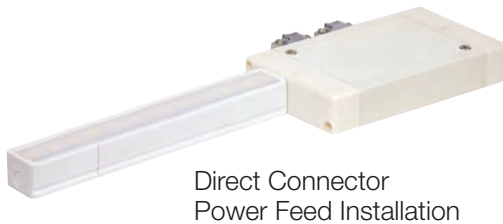
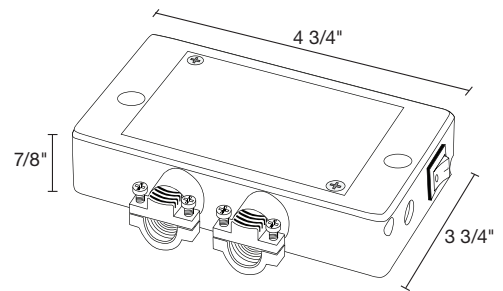
## Keyed connectors

- Assures proper current flow
- Makes connections simple

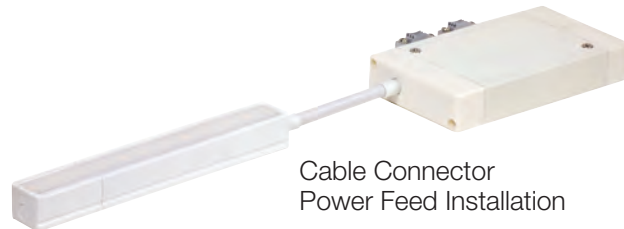


## Junction box

- Available with and without on/off side mounted rocker switch
- Supplied with 1/4" BX connectors and rubber hole plugs
- Approved for branch circuit wiring
- Accepts 14/3 wire
- 1/2" Knockouts on back of box
- Female power connector located on side of box



Direct Connector  
Power Feed Installation



Cable Connector  
Power Feed Installation

## Accessories

Each Thread linear LED system comes with:



## Power accessories (optional)



# Accessories

## Connection accessories (optional)



## Key features

- Available in 6", 10", 21" and 30"
- On board IC driver—no external driver required
- 2700K or 3500K
- 312 Lumens per foot at 2700K
- 330 Lumens per foot at 3500K
- CRI 80+
- Diffuser lens for even light—eliminates hot spots and glare - included
- Flat mounting clips, 45° mounting clips, removable diffusing lens and closed end cap included with each unit
- Very low heat, no UV or IR radiation
- Direct-wire or portable installations—various connection accessories available
- Up to 65' continuous runs off one power feed
- Exact spacing of LEDs, including fixture to fixture for consistent, even lighting
- 50,000 hours rated life
- ENERGY STAR certified for under-cabinet and cove applications
- 5 year warranty\*
- Construction: Extruded polycarbonate body and diffuser lens
- Power: 120V AC
- Light source: LED 2700K and 3500K
- Finish: White
- Dimming to less than 5% with electronic low voltage (ELV) dimmers
- Damp location listed

ENERGY STAR, ETL and FCC certification



Item Number	Size Type	Color Temp.	W	V	Luminous Flux	Luminous Efficacy	Color Index	Beam Angle	Dimensions	Life/Hours	UPC	Pack
63-101	6"	2700K	1.8	120	166	86	80↑	110°	6" L x .826" W x .708" H	50K	045923261015	6/1
63-201	6"	3500K	1.8	120	180	100	80↑	110°	6" L x .826" W x .708" H	50K	045923262012	6/1
63-102	10"	2700K	3	120	268	89	80↑	110°	10" L x .826" W x .708" H	50K	045923261022	6/1
63-202	10"	3500K	3	120	278	92	80↑	110°	10" L x .826" W x .708" H	50K	045923262029	6/1
63-103	21"	2700K	7	120	593	84	80↑	110°	21" L x .826" W x .708" H	50K	045923261039	6/1
63-203	21"	3500K	7	120	607	86	80↑	110°	21" L x .826" W x .708" H	50K	045923262036	6/1
63-104	30"	2700K	10	120	804	80	80↑	110°	30" L x .826" W x .708" H	50K	045923261046	6/1
63-204	30"	3500K	10	120	833	83	80↑	110°	30" L x .826" W x .708" H	50K	045923262043	6/1





## Satco smart home Z wave enabled devices

Control lighting and small appliances from smart phones, anywhere, anytime.

Satco's new smart home wall switches and plug-in modules allow you to control lighting, and even small appliances, right from a smart phone, anywhere you are. Enable the app for your home's Z-Wave enabled hub in a phone, and it will speak directly to our products. And each switch or module are signal repeaters, meaning the signal hops from one to the next creating a complete "mesh network" throughout the home, controllable from anywhere. Z-Wave is the most open development environment for smart products and services, and is the protocol of choice for more than 400 of today's leading global manufacturers. And service providers have made Z Wave their protocol of choice as well. Satco's smart home plug-in modules and switches make Satco part of the world's largest ecosystem of smart "things" for the IOT.

# Smart home gear: 86-100 plug-in appliance module\*

## Features

- Turns ON/OFF incandescent, CFL, or LED lamps, and AC operated electrical appliances
- LED back-lit Key for manual ON/OFF and status indicator
- Z-Wave Plus Certified
- Controls appliances up to 15A
- Functions as Z-Wave signal repeater
- Grounded 3-pin AC power receptacle to enhance safety
- Compact design - does not block the 2nd AC outlet
- Over-The-Air firmware upgrade available, if supported by controller
- Supports Network Wide Inclusion (inclusion through a repeater), if supported by controller
- Powered by Sigma Design 500 Series module inside



## General

Parameter	
Operating Temperature	32° F to 104° F
Storage Temperature	-4° F to 140° F
Storage Humidity	80%
Electrical Ratings	
Input Voltage	120 VAC RMS
Input Frequency	60Hz
Maximum Output Load	900W incandescent, 200W CFL/LED, ½ horsepower motor and 15A, 1800W resistive load
Fuse	0.5A
Z-Wave Frequency for USA and Canada	908.4Mhz at 40kps, 916Mhz at 100kps
Wireless Range (controller & repeater)	130 ft. at open air, 1 meter high, LOS
Modulation	FSK/GFSK
Tx Power from IC setting	2 dbm
Rx Sensitivity at 40 kps	-99 dbm
Rx Sensitivity at 100 kps	-91.8 dbm

Mechanical Parameters	
Dimensions	Body: L3.27" X W2.13" X H1.5"
With plug:	L3.27" X W2.13" X H2.32"
Color	Munsell N9 Apple White
Material	PC, Type 6485

Supplied Parts	
Description	Quantity
86-100 Plug-In Appliance Module	1
Instruction Manual	1



# Smart home gear: 86-101 plug-in dimmer module\*

## Features

- Works with incandescent and most dimmable fluorescent (CFL), or LED lighting
- LED back-lit Key for manual ON/OFF and status indicator
- GROUP/SCENE/ALL enabled, if supported by controller
- Over-The-Air firmware upgrade available, if supported by controller
- Supports Network Wide Inclusion (inclusion through a repeater), if supported by controller
- Powered by Sigma Design 500 Series module inside
- Compact design - does not block the 2nd AC outlet
- Functions as Z-Wave repeater



## General

Parameter	
Operating Temperature	32° F to 104° F
Storage Temperature	-4° F to 140° F
Storage Humidity	80%
Electrical Ratings	
Input Voltage	120 VAC RMS
Input Frequency	60Hz
Maximum Output Load	Incandescent 300W (2.5A), Dimmable CFL/LED 65W Fuse 5A
Fuse	5A
Dimmer conduction angle	90% at max fully on position
Z-Wave Frequency for USA and Canada	908.4Mhz at 40kps, 916Mhz at 100kps
Wireless Range (controller & repeater)	130 ft. at open air, 1 meter high, LOS
Modulation	FSK/GFSK
Tx Power from IC setting	2 dbm
Rx Sensitivity at 40 kps	-99 dbm
Rx Sensitivity at 100 kps	-91.8 dbm

Mechanical Parameters	
Dimensions	Body: L3.27" X W2.13" X H1.5"
With plug:	L3.27" X W2.13" X H1.5"
Color	Munsell N9 Apple White
Material	PC, Type 6485

Supplied Parts	
Description	Quantity
86-101 Plug-In Dimmer Module 1	1
Instruction Manual	1



# Smart home gear: 86-102 in-wall light switch\*

## Features

- Works with incandescent lamps, fluorescent (CFL), and LED lighting
- Fits standard wall plate (not included)
- Z-Wave Plus Certified
- Clean design with white LED status indicator
- GROUP/ALL enabled, if supported by controller
- Multiple scene control using double and triple tap
- Provides instant manual status change to controller
- Supports Central Scene command class
- Over-The-Air firmware upgrade available, if supported by controller
- Supports Network Wide Inclusion (inclusion through a repeater), if supported by controller
- Powered by Sigma Design 500 Series module inside
- Functions as a Z-Wave signal repeater
- Supports screw and wire terminals



## General

Parameter	
Operating Temperature	32° F to 104° F
Storage Temperature	-4° F to 140° F
Storage Humidity	80%
Electrical Ratings	
Input Voltage	120 VAC RMS
Input Frequency	60Hz
Wire Terminals	Requires neutral
Maximum Output Load	900W incandescent, 200W CFL/LED, ½ horsepower motor and 15A, 1800W resistive load
Fuse	0.5A
Z-Wave Frequency for USA and Canada	908.4Mhz at 40kps, 916Mhz at 100kps
Wireless Range (controller & repeater)	130 ft. at open air, 1 meter high, LOS
Modulation	FSK/GFSK
Tx Power from IC setting	2 dbm
Rx Sensitivity at 40 kps	-99 dbm
Rx Sensitivity at 100 kps	-91.8 dbm
Standby Current	25mA

Mechanical Parameters	
Dimensions	Body:2.8"x1.71"x1.41" Yoke: 4.13"x2.13"x.076"
Minimum Hole for Wire	Accepts #12 AWG (0.081" dia) Doesn't Accept #8 AWG (0.1285" dia)
Wire Type	Copper or plated aluminum
Clamp Parts	Copper only
Wire Binding Screws	UL 486a/b: Minimum Dia=#6(.138) Max Threads/inch = 36
Color	Munsell N9 Apple White
Material	PC, Type 6485

Supplied Parts	
Description	Quantity
86-102 In-Wall Light Switch	1
Mounting Screws	2
Instruction Manual	1



# Smart home gear: 86-103 in-wall dimmer\*

## Features

- Works with incandescent and most dimmable fluorescent (CFL), or LED lighting
- 7 LEDs to indicate ON/OFF/Dimming level status
- Fits standard wall plate (not included)
- Z-Wave Plus Certified
- GROUP/ALL enabled, if supported by controller
- Multiple scene control using double and triple tap
- Provides instant manual status change to controller
- Supports Central Scene command class
- Over-The-Air firmware upgrade available, if supported by controller
- Supports Network Wide Inclusion (inclusion through a repeater), if supported by controller
- Powered by Sigma Design 500 Series module inside
- Functions as a Z-Wave signal repeater
- Supports screw and wire terminals



## General

Parameter	
Operating Temperature	32° F to 104° F
Storage Temperature	-4° F to 140° F
Storage Humidity	80%
Electrical Ratings	
Input Voltage	120 VAC RMS
Input Frequency	60Hz
Maximum Output Load	Incandescent (600W, single gang), Dimmable CFL/LED (150W)
Wire Terminals	Requires neutral
Fuse	10A
Z-Wave Frequency for USA and Canada	908.4Mhz at 40kps, 916Mhz at 100kps
Wireless Range (controller & repeater)	130 ft. at open air, 1 meter high, LOS
Modulation	FSK/GFSK
Tx Power from IC setting	2 dbm
Rx Sensitivity at 40 kps	-99 dbm
Rx Sensitivity at 100 kps	-91.8 dbm
Standby Current	25mA

## Mechanical Parameters

Dimensions	Body:2.8"x1.71"x1.41" Yoke: 4.13"x2.13"x.076"
Wire Terminals	Line, Load, Ground, Traveler, Neutral
Minimum Hole for Wire	Accepts #12 AWG (0.081" dia) Doesn't Accept #8 AWG (0.1285" dia)
Wire Type	Copper or plated aluminum
Clamp Parts	Copper only
Wire Binding Screws	UL 486a/b: Minimum Dia=#6(.138) Max Threads/inch = 36
Color	Munsell N9 Apple White
Material	PC, Type 6485

## Supplied Parts

Description	Quantity
86-103 In-Wall Dimmer	1
Mounting Screws	2
Instruction Manual	1





# Smart home gear: 86-104 3-way auxiliary switch\*

## Features

- 3 way switch that works with Satco 86-102 wall switch or 86-103 wall dimmer
- Fits standard wall plate (not included)
- Reliable and affordable way to add 3 way or 4 way switch
- Up to 3 86-104 auxiliary switches (5 way) can be used with one Satco in wall switch or dimmer
- Connects and controls through traveler wire
- When used with Satco 86-103 dimmer, 86-104 can also be used to control dimming
- Multiple scene control using double and triple tap
- Provides instant manual status change to controller
- Supports Central Scene command class
- Supports screw and wire terminals



## General

Parameter	
Operating Temperature	32° F to 104° F
Storage Temperature	-4° F to 140° F
Storage Humidity	80%
Mechanical Parameters	
Dimensions	Body: 2.8"x1.71"x1.41" Yoke: 4.13"x2.13"x.076"
Wire Terminals	Traveler, Neutral, Ground. Requires neutral and traveler wire
Minimum Hole for Wire	Accepts #12 AWG (0.081" dia) Doesn't Accept #8 AWG (0.1285" dia)
Wire Type	Copper only
Clamp Parts	Copper or plated aluminum
Wire Binding Screws	UL 486a/b: Minimum Dia=#6(.138) Max Threads/inch = 36
Color	Munsell N9 Apple White
Material	PC, Type 6485

Supplied Parts	
Description	Quantity
86-104 3 Way Auxiliary Switch	1
Mounting Screws	2
Instruction Manual	1





Item Number	Page #	Item Number	Page #	Item Number	Page #	Item Number	Page #
25-4091	55	62-1076	18	62-1202	73	62-1432	54
60-673	73	62-1077	18	62-1203	73	62-1435	51
60-674	73	62-1078	18	62-1204	73	62-1436	51
60-675	73	62-1095	62	62-1205	73	62-1437	51
60-676	73	62-1096	62	62-1251	23	62-1438	51
60-677	73	62-1097	62	62-1252	24	62-1439	52
60-678	73	62-1098	62	62-1253	23	62-1440	52
60-679	73	62-1141	99	62-1254	25	62-1441	51
60-680	73	62-1142	99	62-1255	26	62-1442	56
62-1031	54	62-1143	99	62-1256	26	62-1443	56
62-1032	54	62-1144	99	62-1257	26	62-1444	56
62-1033	54	62-1145	99	62-1261	59	62-1445	53
62-1034	54	62-1146	99	62-1262	59	62-2932	55
62-1035	51	62-1151	23	62-1263	59	62-2934	55
62-1036	51	62-1152	24	62-1264	59	62-2936	55
62-1037	51	62-1153	23	62-1265	59	62-745	60
62-1038	51	62-1154	25	62-1266	59	62-746	60
62-1039	52	62-1155	26	62-1267	59	62-747	60
62-1040	52	62-1156	26	62-1268	59	62-748	60
62-1041	51	62-1157	26	62-1291	30	62-765	60
62-1042	56	62-1161	58	62-1292	30	62-766	60
62-1043	56	62-1162	58	62-1294	30, 31	62-786	57
62-1044	56	62-1163	58	62-1295	30, 31	62-787	57
62-1045	53	62-1164	58	62-1301	41	62-788	57
62-1046	53	62-1165	58	62-1302	41	62-789	57
62-1051	23	62-1166	58	62-1303	41	62-791	61
62-1052	24	62-1167	58	62-1304	41	62-792	61
62-1053	23	62-1168	58	62-1305	41	62-795	63
62-1054	25	62-1171	27	62-1306	41	62-796	63
62-1055	26	62-1172	28	62-1307	41	62-797	64
62-1056	26	62-1173	27	62-1308	41	62-798	64
62-1057	26	62-1174	28	62-1371	27	62-928	50
62-1061	16	62-1175	29	62-1372	28	62-971	66
62-1062	16	62-1176	29	62-1373	27	62-972	66
62-1063	16	62-1177	29	62-1374	28	62-975	66
62-1064	16	62-1181	27	62-1375	29	62-976	66
62-1065	16	62-1182	28	62-1376	29	62-977	66
62-1066	16	62-1183	27	62-1377	29	62-978	66
62-1067	16	62-1184	28	62-1381	27	62-981	66
62-1068	16	62-1185	29	62-1382	28	62-982	66
62-1069	16	62-1186	29	62-1383	27	62-991	65
62-1071	18	62-1187	29	62-1384	28	63-101	133
62-1072	18	62-1191	30	62-1385	29	63-102	133
62-1073	18	62-1192	30	62-1386	29	63-103	133
62-1074	18	62-1200	73	62-1387	29	63-104	133
62-1075	18	62-1201	73	62-1431	54	63-201	133

Item Number	Page #	Item Number	Page #	Item Number	Page #	Item Number	Page #
63-202	133	65-105	70	65-155	85	65-333	11
63-203	133	65-106	70	65-156	85	65-334	11
63-204	133	65-107	69	65-157	85	65-335	11
63-301	132	65-108	69	65-158	85	65-336	11
63-302	133	65-1081	48	65-159	86	65-337	11
63-303	133	65-1082	48	65-160	86	65-338	11
63-304	133	65-1083	48	65-161	86	65-339	8
63-305	133	65-1084	48	65-162	86	65-340	8
63-306	133	65-1091	48	65-163	86	65-341	8
63-307	133	65-1092	48	65-164	86	65-347	10
63-309	133	65-1095	48	65-165	86	65-348	10
63-311	133	65-1096	48	65-166	86	65-351	10
63-314	132	65-1098	48	65-171	96	65-352	10
63-315	132	65-1101	49	65-172	96	65-355	10
65-049	89	65-1102	49	65-173	96	65-356	10
65-050	74	65-1103	49	65-181	20	65-361	12
65-051	74	65-1104	49	65-182	20	65-362	12
65-052	75	65-1107	49	65-183	20	65-363	12
65-053	75	65-1108	49	65-184	20	65-364	12
65-054	95	65-113	98	65-185	20	65-365	12
65-055	95	65-114	98	65-186	20	65-366	12
65-056R1	87	65-121	71	65-187	20	65-367	12
65-057R1	88	65-122	72	65-188	20	65-371	9
65-058R1	90	65-123	72	65-189	20	65-372	9
65-059R1	91	65-124	71	65-201	70	65-373	9
65-062	76	65-125	72	65-202	70	65-374	9
65-063	77	65-126	72	65-203	69	65-375	9
65-073R1	92	65-127	71	65-204	69	65-376	9
65-074R1	93	65-128	72	65-205	70	65-377	9
65-078	97	65-129	72	65-206	70	65-378	9
65-079	97	65-131	83	65-207	69	65-379	9
65-084	95	65-132	83	65-208	69	65-401	103
65-088	19	65-133	83	65-301	13	65-402	103
65-089	19	65-134	84	65-302	13	65-403	102
65-091	70	65-135	84	65-303	13	65-404	102
65-092	70	65-136	84	65-304	13	65-405	103
65-093	69	65-138	94	65-305	13	65-406	103
65-094	69	65-140	94	65-306	13	65-407	102
65-095	80	65-142	94	65-307	13	65-408	102
65-096	80	65-144	94	65-308	13	65-409	103
65-097	81	65-146	94	65-309	13	65-410	103
65-098	82	65-148	94	65-321	8	65-411	102
65-101	78	65-151	85	65-322	8	65-412	102
65-102	78	65-152	85	65-323	8	65-421	15
65-103	79	65-153	85	65-324	8	65-422	15
65-104	79	65-154	85	65-326	8	65-423	15

Item Number	Page #	Item Number	Page #	Item Number	Page #	Item Number	Page #
65-427	15	S9501	105	S9598	113	S21528	34
65-428	15	S9502	105	S9599	113	S21530	36
65-429	15	S9503	105	S9646	108,109	S21533	43
65-430	15	S9504	106	S9647	108,109	S21534	43
65-431	15	S9505	106	S9648	108,109	S21535	43
65-432	15	S9506	106	S9649	108,109	S21536	43
65-445	14	S9507	106	S9693	108,109	S21537	33
65-446	14	S9508	105, 107	S9694	108,109	S21538	35
65-447	14	S9509	105, 107	S9695	108,109	S21539	37
65-451	14	S9510	105, 107	S9696	108,109	S29011	118
65-452	14	S9511	105, 107	S9780	65, 67	S29012	118
65-453	14	S9512	106	S9785	107	S29013	118
65-454	14	S9513	106	S9786	107	S29021	118
65-455	14	S9514	106	S9787	107	S29026	119
65-456	14	S9515	106	S9788	107	S29027	119
65-501	17	S9516	108,109	S9789	107	S29028	119
65-503	17	S9517	108,109	S9880	39	S29029	119
65-505	17	S9518	108,109	S9881	39	S29055	116
65-507	17	S9519	108,109	S9882	40, 41	S29056	116
76-640	73	S9520	108,109	S9883	40, 41	S29057	116
76-641	73	S9521	108,109	S9884	40, 41	S29058	116
76-665	73	S9522	108,109	S9885	40, 41	S29059	117
76-666	73	S9523	108,109	S9886	40, 41	S29061	117
80-936	122,123	S9524	105	S9887	40, 41	S29062	117
80-937	122,123	S9525	106	S9888	40, 41	S29063	117
80-938	122,123	S9526	108,109	S9889	40, 41	S29312	112
80-939	122,123	S9527	108,109	S21500	32	S29313	112
86-100	135	S9528	108,109	S21501	32	S29314	112
86-101	136	S9529	108,109	S21502	32	S29315	112
86-102	137	S9530	108,109	S21503	33	S29320	32
86-103	138	S9531	108,109	S21504	33	S29321	32
86-104	139	S9532	108,109	S21505	33	S29322	32
86-201	18, 19	S9533	108,109	S21506	33	S29323	32
S8672	45	S9534	108,109	S21507	34	S29324	33
S8673	45	S9535	108,109	S21508	34	S29325	33
S8674	45	S9536	108,109	S21509	35	S29326	33
S8675	45	S9537	108,109	S21510	35	S29327	33
S8705	120,121	S9538	124	S21511	35	S29328	34
S8706	120,121	S9539	124	S21512	36	S29329	34
S8707	120,121	S9540	124	S21513	36	S29330	34
S8708	120,121	S9541	124	S21514	36	S29331	34
S9299	65, 67	S9554	108,109	S21515	37	S29332	35
S9368	42	S9555	108,109	S21516	37	S29333	35
S9369	42	S9556	108,109	S21517	37	S29334	35
S9500	105	S9557	108,109	S21526	32	S29335	35

Item Number	Page #	Item Number	Page #	Item Number	Page #	Item Number	Page #
S29336	36	S29715	110	TH444	127	TP170	129
S29337	36	S29716	110	TH445	127	TP171	129
S29338	36	S29724	111	TH447	127	TP172	129
S29339	36	S29725	111	TH451	127	TP202	129
S29340	37	S29726	111	TH452	127	TP203	129
S29341	37	S29727	111	TH453	127	TP204	129
S29342	37	S29740	111	TH454	127	TP205	129
S29343	37	S29741	111	TH455	127	TP206	129
S29344	43	S29742	111	TH457	127	TP207	129
S29345	43	S29743	111	TH461	127	TP208	129
S29346	43	S29756	114	TH462	127	TP209	129
S29347	43	S29757	114	TH463	127	TP211	129
S29349	34	S29758	114	TH464	127	TR118	129
S29357	34	S29759	114	TH465	127	TR119	129
S29358	36	S29770	115	TH467	127	TR120	129
S29359	32	S29771	115	TH471	127	TR121	129
S29360	34	S29772	115	TH472	127	TR122	129
S29361	35	S29773	115	TH473	127	TR123	129
S29362	36	TH401	126	TH474	127	TR124	129
S29363	37	TH402	126	TH475	127	TR125	129
S29367	34	TH403	126	TH477	127	TR126	129
S29379	36	TH404	126	TK403	128	TR127	129
S29463	110	TH405	126	TK404	128	TR128	129
S29464	110	TH407	126	TK407	128	TR129	129
S29465	110	TH411	126	TK413	128		
S29466	110	TH412	126	TK414	128		
S29467	110	TH413	126	TK417	128		
S29468	110	TH414	126	TK423	128		
S29472	111	TH415	126	TK424	128		
S29473	111	TH417	126	TK427	128		
S29474	111	TH421	126	TP144	129		
S29650	38	TH422	126	TP145	129		
S29651	38	TH423	126	TP146	129		
S29652	38	TH424	126	TP147	129		
S29653	43	TH425	126	TP148	129		
S29654	43	TH427	126	TP149	129		
S29655	34	TH431	126	TP150	129		
S29656	44	TH432	126	TP151	129		
S29657	44	TH433	126	TP152	129		
S29658	44	TH434	126	TP153	129		
S29659	44	TH435	126	TP154	129		
S29690	36	TH437	126	TP155	129		
S29691	38	TH441	127	TP167	129		
S29713	110	TH442	127	TP168	129		
S29714	110	TH443	127	TP169	129		



National Toll-Free:  
800-43-SATCO  
(800-437-2826)  
[www.satco.com](http://www.satco.com)

Copyright © 2019  
Satco Products, Inc  
All Rights Reserved.  
1/19 NU1350-3  
\$10.00



**Distribution Centers:**

FLORIDA  
900 N.W. 159th Dr.  
Miami, FL 33169  
PH 305-624-2044  
FX 305-623-0286

CALIFORNIA  
31288 San Benito St.  
Hayward, CA 94544  
PH 510-487-4822  
FX 510-487-8955

WASHINGTON  
4710 116th St. S.W.  
Mukilteo, WA 98275  
PH 425-789-3300  
FX 425-789-3310

TEXAS  
2000 Valwood Pkwy.  
Farmers Branch, TX  
75234  
PH 972-247-2437  
FX 972-247-5408

PUERTO RICO  
Campeche St. 23  
Julio N. Matos  
Industrial Park,  
Carolina, PR 00984  
PH 787-757-3510  
FX 787-757-3540

**Corporate Offices and  
Distribution Center:**

NEW YORK  
110 Heartland Blvd.  
Brentwood, NY 11717  
PH 631-243-2022  
FX 631-243-2027