



# Norwell Lighting

Quality craftsmanship for over 75 years



Alto

Accent traditional, transitional, and contemporary designs with top-notch LED.





## Table of Contents

|                     |         |
|---------------------|---------|
| Bath                | 10-99   |
| Sconces             | 100-125 |
| Flush Mounts        | 126-153 |
| Pendants            | 154-173 |
| Outdoor             | 174-219 |
| Onion Collection    | 184-199 |
| Product Photo Index | 220-222 |
| Finishes            | 223     |
| Glass Dimensions    | 224-225 |
| Model Number Index  | 226     |

The charm of Norwell captured in unparalleled attention to detail, dedication to craftsmanship.







The complete lighting package to complete any project for your home.



# Norwell

For more than 75 years, Norwell Lighting has led the way in American-made lighting for the home. Norwell's unparalleled attention to detail, dedication to craftsmanship, and industry knowledge mean that each and every product is created with pride. With our hospitality and commercial lighting lines (ILEX Architectural Lighting, Custom Metalcraft, and Davis Muller Light), we are able to offer customers the complete lighting package to complete any suite or project, from the house to the hotel.

Norwell beautifully accents traditional, transitional, and contemporary designs with top-notch LED and standard lighting. To learn how Norwell can light up your space, call us at 800-822-2831 to speak with one of our customer service representatives today.



Norwell founded its reputation with the highest quality outdoor solid brass lighting



Norwell is the parent company to ILEX Architectural Lighting, Custom Metalcraft and Davis Muller. ILEX specializes in hospitality and commercial lighting. We manufacture for architects, interior designers, lighting designers and lighting specifiers. ILEX offers a complete in-house design and highly experienced customer service department with over 65 years combined lighting expertise. ILEX's extensive domestic and overseas manufacturing allow us to quote complete fixture packages at competitive pricing, from "feature fixtures" in the lobby to guest rooms, offices and hallways, all from one manufacturer.



OPERA SCONCE LED ADA  
MICHAEL GRAVES for ILEX



LIB3  
3 LIGHT GLASS PENDANT  
LAURA KIRAR for ILEX

**ILEX** —  
Architectural Lighting

[ilexlight.com](http://ilexlight.com)

CUSTOM SCONCE  
RITZ CARLTON  
SARASOTA FLA  
BILKEY LLINAS DESIGN PALM BEACH, FL



CUSTOM OVER SIZED FLUSH MOUNTS  
255 STATE STREET BOSTON MA - ELKUS MANFREDI ARCHITECTS



TEMPLE DOUBLE PENDANT  
2 LIGHT PENDANT



GHOST 48" PENDANT  
WITH GLASS DIFFUSER



# Lighting with LED



Budapest Large with LED Bulb  
5155-GA-NG



American Heritage  
Small Wall with LED Bulb  
1059-BL-CL

## Lighting with LED

LED (light-emitting diode) bulbs are the latest lighting industry innovation. These lights have a greater electrical efficiency and longer lifespan than the average bulbs. Norwell offers fixtures applicable for both LEDs and Incandescent bulbs. LED bulbs can be used in place of standard bulbs in Norwell Edison fixtures.

Norwell also offers fixtures with integrated LED. Look for green LED icon. These products include linear bath products, wall sconces, as well as outdoor lighting.



Standard  
Incandescent



LED Bulb



Elizabeth with LED bulb  
8951-OB-FL



# Bath



LED technology is the latest development in residential lighting, and Norwell offers integrated LED products to complement your bathroom. This type of light is especially well suited for use in bathrooms, with a clean end-to-end distribution that emits light that is close to natural daylight. Norwell's broad selection of LED lighting products will give all your interior spaces a stunning glow and quality that's built to last.

LED

ADA



Alto Linear Sconce  
Available in 18, 24  
and 36 inches  
Pages 18-19

# Norwell



## Lucas

A tall rectangular sconce in layers of glass, metal and perforated mesh are combined to create this on trend wall sconce.

INC

ADA



8980-CH-CL



8980-BN-CL

| 8980 | Finish                             | Glass   | Lamping                             | Dimensions                               | Projection |
|------|------------------------------------|---|-------------------------------------|--|------------|
|      | Brushed Nickel (BN)<br>Chrome (CH) | Inner Perforated Metal Screen<br>Outer Clear Glass (CL) | Incandescent 60 W Max<br>T10 Edison | 13.5 H X 4.5 W<br>Backplate 10 H X 4.5 W | 4          |

## Dean

This LED torch style sconce is simple yet elegant with its sleek angles, peg shaped arm and geometric glass shade. The slender frosted shade is held in with clean peg screws allowing for mounting in either direction.

LED



8981-BN-MO



8981-CH-MO

| 8981 | Finish                             | Glass           | Lamping              | Dimensions                                    | Projection |
|------|------------------------------------|-----------------|----------------------|---|------------|
|      | Brushed Nickel (BN)<br>Chrome (CH) | Matte Opal (MO) | LED 1000lm 3000K CCT | 18 3/8 H X 4 1/2 W<br>Backplate 8 H X 4 1/2 W | 6 1/4      |

# Bath

Alexus



5332-BN-CL



5332-CH-CL

Contemporary symmetrical design



| 5332 | Finish                             | Glass                                       | Lamping                              | Dimensions                    | Projection |
|------|------------------------------------|---|--------------------------------------|-------------------------------|------------|
|      | Brushed Nickel (BN)<br>Chrome (CH) | Inner White Glass<br>Outer Clear Glass (CL) | Halogen 2-60 Watt Max G9<br>Included | 5 7/8 H X 14 W<br>Backplate 5 | 6 1/2      |



### Alexus

The cylindrical bath lighting with distinctive glass in glass adds contemporary styling and a touch of class in any bathroom.

HAL-



5331-BN-CL



5331-CH-CL

| 5331 | Finish                             | Glass                                       | Lamping                              | Dimensions                   | Projection |
|------|------------------------------------|---|--------------------------------------|------------------------------|------------|
|      | Brushed Nickel (BN)<br>Chrome (CH) | Inner White Glass<br>Outer Clear Glass (CL) | Halogen 1-60 Watt Max G9<br>Included | 5 7/8 H X 5 W<br>Backplate 5 | 6 1/2      |

# Bath

Alexus

HAL-



5333-BN-CL



5334-CH-CL

Contemporary symmetrical design







5333-CH-CL



5334-BN-CL

| 5333 | Finish                             | Glass                                       | Lamping                              | Dimensions                    | Projection |
|------|------------------------------------|---|--------------------------------------|-------------------------------|------------|
|      | Brushed Nickel (BN)<br>Chrome (CH) | Inner White Glass<br>Outer Clear Glass (CL) | Halogen 3-60 Watt Max G9<br>Included | 5 7/8 H X 22 W<br>Backplate 5 | 6 1/2      |
| 5334 | Finish                             | Glass                                       | Lamping                              | Dimensions                    | Projection |
|      | Brushed Nickel (BN)<br>Chrome (CH) | Inner White Glass<br>Outer Clear Glass (CL) | Halogen 4-60 Watt Max G9<br>Included | 5 7/8 H X 34 W<br>Backplate 5 | 6 1/2      |

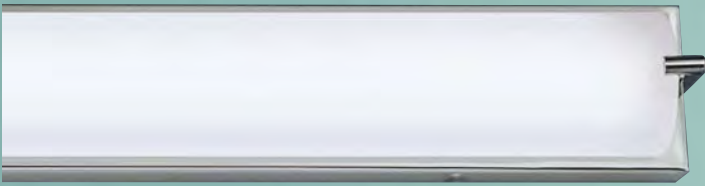
# Bath

## Alto

A stunning linear LED sconce – fresh and clean, its elegantly curved Matte Opal glass is a beautiful complement to the full length back plate. The product mounts vertical or horizontal and is available in 18, 24 and 36" lengths.

LED

ADA



9691-CH-MO  
Alto 18"



9692-CH-MO  
Alto 24"



9693-CH-MO  
Alto 36"

Alto mounts vertically or horizontally

| 9691 - 18" | Finish                             | Glass           | Lamping                         | Dimensions     | Projection |
|------------|------------------------------------|-----------------|---------------------------------|----------------|------------|
|            | Brushed Nickel (BN)<br>Chrome (CH) | Matte Opal (MO) | LED 900 lm 3000k CCT *dimnable  | 18 H X 4 1/4 W | 3 3/4      |
| 9692 - 24" |                                    |                 |                                 |                |            |
|            | Brushed Nickel (BN)<br>Chrome (CH) | Matte Opal (MO) | LED 1900 lm 3000k CCT *dimnable | 24 H X 4 1/4 W | 3 3/4      |
| 9693 - 36" |                                    |                 |                                 |                |            |
|            | Brushed Nickel (BN)<br>Chrome (CH) | Matte Opal (MO) | LED 2500 lm 3000k CCT *dimnable | 36 H X 4 1/4 W | 3 3/4      |

\*Refer to Norwellinc.com for LED specifications





Alto

# Bath

## Bliss

The new LED linear sconces offer flexibility for mounting vertically or horizontally.

LED

ADA



9690-CH-SO

Bliss mounts vertical or horizontal

| 9690 | Finish                             | Glass           | Lamping                        | Dimensions                | Projection |
|------|------------------------------------|-----------------|--------------------------------|---------------------------|------------|
|      | Brushed Nickel (BN)<br>Chrome (CH) | Shiny Opal (SO) | LED 2160 lm 3000K CCT dimmable | 25 H X 5 W<br>backplate 5 | 3 1/2      |

\*Refer to Norwellinc.com for LED specifications



INC



8970-CH-CL

8970-BN-CL

Kimberly Pendant  
Page: 163

| 8970* | Finish               | Glass                  | Lamping                           | Dimensions  | Projection |
|-------|----------------------|------------------------|-----------------------------------|---|------------|
|       | Brushed Nickel (BN)  | Clear Outer Glass /    | Incandescent 1-60 Watt Candelabra | 16 3/4 H X 4 1/2 W<br>Backplate 4 1/2 H X 3 1/4 W | 6 3/4      |
|       | Chrome (CH)          | White Inner Glass (CL) |                                   |   |            |
|       | Polished Nickel (PN) | 5 3/4 H X 4 W          |                                   |   |            |

\*Trim plate available  
NOTE: small black plate -  
requires a switch box

# Bath

## Kaset

The Kaset stylish linear sconce is available in 18 and 24 inch lengths. The 3 3/4 inch depth makes this beautiful wall sconce ADA compliant. Mounts vertical or horizontal

LED

ADA



9697-CH-SO 24"



9696-CH-SO 18"

| 9696 - 18" | Finish                             | Glass           | Lamping                         | Dimensions | Projection |
|------------|------------------------------------|-----------------|---------------------------------|------------|------------|
|            | Brushed Nickel (BN)<br>Chrome (CH) | Shiny Opal (SO) | LED 900 lm 3000k CCT *dimnable  | 18 H X 5 W | 3 3/4      |
| 9697 - 24" |                                    |                 |                                 |            |            |
|            | Brushed Nickel (BN)<br>Chrome (CH) | Shiny Opal (SO) | LED 1900 lm 3000k CCT *dimnable | 24 H X 5 W | 3 3/4      |

\*Refer to Norwellinc.com for LED specifications





Kaset Flush Mount  
Page: 135

Kaset



# Bath

## Abbot

Clean, stunning elegance

LED



9645-BN-SO



9645-CH-SO

| 9645 | Finish                             | Glass           | Lamping                            | Dimensions                     | Projection |
|------|------------------------------------|-----------------|------------------------------------|--------------------------------|------------|
|      | Brushed Nickel (BN)<br>Chrome (CH) | Shiny Opal (SO) | LED 1720 lm 3000k CCT<br>*dimmable | 14 1/4 H X 5 W<br>Back plate 5 | 4 1/2      |

\*Refer to Norwellinc.com for LED specifications





# Bath



9651-BN-SO

Astor



## Astor

Distinctive cast stepped backplate is offered with a unique slotted glass holder. This single ADA sconce effortlessly combines modern and transitional elements to provide superb lighting with your lamp choice.

LED

INC

ADA



9651-BN-SO



9651-CH-SO

| 9651 | Finish               | Glass           | Lamping                         | Dimensions         | Projection |
|------|----------------------|-----------------|---------------------------------|--------------------|------------|
|      | Brushed Nickel (BN)  | Shiny Opal (SO) | LED 1720 lm 3000k CCT *dimnable | 14 3/4 H X 4 W     | 4          |
|      | Chrome (CH)          | 11 H X 2 1/2 W  | Incandescent 1-60 Watt T-10     | Backplate 5H X 4 W |            |
|      | Polished Nickel (PN) |                 |                                 |                    |            |

\*Refer to Norwellinc.com for LED specifications

## Astor Double

These eye-catching cylindrical glass diffusers blend modern aesthetics with versatility. This beautiful architectural accent is a part of the Astor Series, that includes an LED flush mount fixture and a single sconce with the same detailed cast backplate.

LED-

INC-

ADA



9652-PN-SO



9652-BN-SO

| 9652 | Finish               | Glass           | Lamping                         | Dimensions            | Projection |
|------|----------------------|-----------------|---------------------------------|-----------------------|------------|
|      | Brushed Nickel (BN)  | Shiny Opal (SO) | LED 3456 lm 3000k CCT *dimmable | 5 H X 24 1/2 W        | 4          |
|      | Chrome (CH)          | 11 H X 2 1/2 W  | Incandescent 2-60 Watt T-10     | Backplate 4 H X 5 t W |            |
|      | Polished Nickel (PN) |                 |                                 |                       |            |

\*Refer to Norwellinc.com for LED specifications

## Astor Flush Mount

The Astor flush mount has been added to emulate the popular Astor sconce series. The unique slotted-glass holder on both the flush mount and the sconces will illuminate your home in an elegant manner.

LED



9653-CH-SO



9651-PN-SO

| 9653 | Finish               | Glass              | Lamping              | Dimensions         |
|------|----------------------|--------------------|----------------------|--------------------|
|      | Brushed Nickel (BN)  | Shiny Opal (SO)    | LED 900 lm 3000k CCT | 6 1/2 H X 13 3/4 W |
|      | Polished Nickel (PN) | 5 1/4 H X 12 3/4 W |                      |                    |



# Bath

Sobe



8775-PN-MO



Sobe

Sobe's simple, minimalist form reflects its elemental beauty. Offered in three finishes it shows the best quality and craftsmanship of Norwell products.

INC



8775-BN-MO



8775-CH-MO

| 8775 | Finish               | Glass              | Lamping                              | Dimensions                | Projection |
|------|----------------------|--------------------|--------------------------------------|---------------------------|------------|
|      | Brushed Nickel (BN)  | Matte Opal (MO)    | Incandescent 60 Watt Max T-10 Edison | 15 H X 5 W<br>Backplate 5 | 4 1/2      |
|      | Chrome (CH)          | 11 1/4 H X 2 3/4 W |                                      |                           |            |
|      | Polished Nickel (PN) |                    |                                      |                           |            |

## Icereto

The clean lines of this lighting series will accent the contemporary bathroom with its sharp horizontal and vertical planes. The glass shape mimics the clean coolness of an ice cube.

HAL-



5311-CH-MO



5311-BN-MO

| 5311* | Finish                             | Glass                        | Lamping                          | Dimensions                                       | Projection |
|-------|------------------------------------|------------------------------|----------------------------------|--|------------|
|       | Brushed Nickel (BN)<br>Chrome (CH) | Matte Opal (MO)<br>3 H X 3 W | Halogen 1-60 Watt G9<br>Included | 5 1/2 H X 4 3/4 W<br>Backplate 5 1/2 H X 4 3/4 W | 4 3/4      |
| 5313* |                                    |                              |                                  |  |            |
|       | Brushed Nickel (BN)<br>Chrome (CH) | Matte Opal (MO)<br>3 H X 3 W | Halogen 3-60 Watt G9<br>Included | 5 1/2 H X 18 W<br>Backplate 5 1/2 H X 4 3/4 W    | 4 3/4      |

\*Cannot be mounted upside down





5313-BN-MO

# Bath

Icereto

HAL-



5312-BN-MO



5312-CH-MO

| 5312* | Finish              | Glass           | Lamping              | Dimensions                  | Projection |
|-------|---------------------|-----------------|----------------------|-----------------------------|------------|
|       | Brushed Nickel (BN) | Matte Opal (MO) | Halogen 2-60 Watt G9 | 5 1/2 H X 11 1/2 W          | 4 3/4      |
|       | Chrome (CH)         | 3 H X 3 W       | Included             | Backplate 5 1/2 H X 4 3/4 W |            |

\*Cannot be mounted upside down



5313-CH-MO



5313-BN-MO

| 5313* | Finish                             | Glass                        | Lamping                          | Dimensions                                    | Projection |
|-------|------------------------------------|------------------------------|----------------------------------|---|------------|
|       | Brushed Nickel (BN)<br>Chrome (CH) | Matte Opal (MO)<br>3 H X 3 W | Halogen 3-60 Watt G9<br>Included | 5 1/2 H X 18 W<br>Backplate 5 1/2 H X 4 3/4 W | 4 3/4      |

\*Cannot be mounted upside down



# Bath

## Icereto

In addition to the 1, 2, 3 and 4 light the Icereto is now available in a 5 light

HAL-



5314-BN-MO



5315-CH-MO

| 5314* | Finish                             | Glass                        | Lamping                          | Dimensions                                    | Projection |
|-------|------------------------------------|------------------------------|----------------------------------|---|------------|
|       | Brushed Nickel (BN)<br>Chrome (CH) | Matte Opal (MO)<br>3 H X 3 W | Halogen 4-60 Watt G9<br>Included | 5 1/2 H X 22 W<br>Backplate 5 1/2 H X 4 3/4 W | 4 3/4      |

\*Cannot be mounted upside down

HAL-



5315-BN-MO



5314-CH-MO

| 5315* | Finish                             | Glass                        | Lamping                          | Dimensions                                       | Projection |
|-------|------------------------------------|------------------------------|----------------------------------|--|------------|
|       | Brushed Nickel (BN)<br>Chrome (CH) | Matte Opal (MO)<br>3 H X 3 W | Halogen 5-60 Watt G9<br>Included | 5 1/2 H X 3 1/4 W<br>Backplate 5 1/2 H X 4 3/4 W | 4 3/4      |

\*Cannot be mounted upside down

# Bath

## Moderne

The organic oval shaped glass will evoke a spa like feeling to any bathroom space.

HAL-



5321-CH-MO



5322-BN-MO





5323-CH-MO

| 5321* | Finish                             | Glass                                | Lamping                          | Dimensions                            | Projection |
|-------|------------------------------------|--------------------------------------|----------------------------------|---------------------------------------|------------|
|       | Brushed Nickel (BN)<br>Chrome (CH) | Matte Opal (MO)<br>4 1/4 H X 5 1/2 W | Halogen 1-60 Watt G9<br>Included | 8 1/2 H X 5 1/4 W<br>Backplate 4 1/2  | 5 1/2      |
| 5322* | Brushed Nickel (BN)<br>Chrome (CH) | Matte Opal (MO)<br>4 1/4 H X 5 1/2 W | Halogen 2-60 Watt G9<br>Included | 8 1/2 H X 14 1/4 W<br>Backplate 4 1/2 | 5 1/2      |
| 5323* | Brushed Nickel (BN)<br>Chrome (CH) | Matte Opal (MO)<br>4 1/4 H X 5 1/2 W | Halogen 3-60 Watt G9<br>Included | 8 1/2 H X 23 W<br>Backplate 4 1/2     | 5 1/2      |

\*Cannot be mounted upside down

# Bath

LED

INC



9685-PN-WS

- The LED can last up to 100,000 hours
- Integral light sensor switches on the LED when the room becomes dark
- Edison base, 75 Watt Max, LED



9685-BN-WS

Apollo

## Apollo

As innovative as it is elegant, the Apollo's striking stem houses an LED "downlight" at the end of the stem and a drum based light to brighten the room. The hidden sensor turns the LED on when the room becomes dark. In the bathroom, the light will brighten the counter top or the wall and aid in orientation in the middle of the night.



| 9685 | Finish               | Diffuser          | Lamping                           | Dimensions               | Projection |
|------|----------------------|-------------------|-----------------------------------|--------------------------|------------|
|      | Brushed Nickel (BN)  | White Shade (WS)  | Incandescent 1-75 Watt Max Edison | 18.75 H X 5 1/2 W        | 7 3/4      |
|      | Polished Nickel (PN) | 6 1/4 H X 5 1/2 W | LED Downlight 1 Watt (supplied)   | Back plate 6 1/2 H X 4 W |            |



# Bath

## Alex

A design classic, simple and pure in form. The clean lines will complement a contemporary or traditional room or bath.

HAL-



8230-CH-SO



8230-BN-MO

| 8230* | Finish               | Glass              | Lamping                           | Dimensions                                     | Projection |
|-------|----------------------|--------------------|-----------------------------------|--|------------|
|       | Brushed Nickel (BN)  | Matte Opal (MO)    | Halogen 1-E11 Minican 50 Watt Max | 11 H X 3 1/4 W<br>Back plate 4 1/2 H X 3 1/4 W | 3 1/8      |
|       | Chrome (CH)          | Splashed Opal (SO) |                                   |  |            |
|       | Polished Nickel (PN) | Shiny Opal (SH)    |                                   |  |            |
|       |                      | 8 H X 1 7/8 W      |                                   |  |            |

\*Trim plate available  
NOTE: small black plate -  
requires a switch box



HAL-

## Bath



8230-PN-SO

Alex

# Bath



9675-AG-WS

Maya



Maya

This crisp design is elegant in its simplicity. Whether it resides in the bath or living areas, the style will grace the room with its timeless profile.

INC



9675-BN-WS



9675-AR-WS



9675-PN-WS

| 9675* | Finish                    | Shade            | Lamping                       | Dimensions               | Projection |
|-------|---------------------------|------------------|-------------------------------|--------------------------|------------|
|       | Aged Brass (AG)           | White Shade (WS) | Incandescent 1-60 Watt Edison | 19 1/4 H X 7 1/4 W       | 8 1/4      |
|       | Architectural Bronze (AR) | 7 H X 7 1/4 W    | Fluorescent 1-18 Watt         | Back plate 6 H X 3 3/4 W |            |
|       | Brushed Nickel (BN)       |                  | compatible Spiral CFL         |                          |            |
|       | Polished Nickel (PN)      |                  | (E26 Socket)                  |                          |            |

\*Trim plate available  
NOTE: small black plate - requires a switch box

# Bath

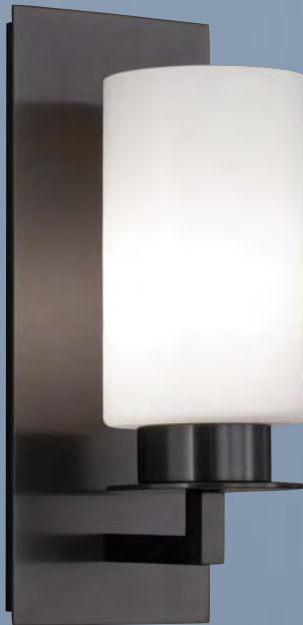
## Jade

Clean lined and tall in stature, the Jade Sconce, with its floating backplate is distinguished amongst its peers. This sconce will be a pleasing addition to many rooms in the home.

INC—



9670-BN-MO



9670-BR-MO



9670-PN-MO

| 9670 | Finish               | Glass             | Lamping                           | Dimensions                 | Projection |
|------|----------------------|-------------------|-----------------------------------|----------------------------|------------|
|      | Brushed Nickel (BN)  | Matte Opal (MO)   | Incandescent 1-75 Watt Max Edison | 13 1/2 H X 5 1/4 W         | 6 1/2      |
|      | Bronze (BR)          | 7 1/2 H X 4 1/2 W |                                   | Backplate 13 1/2 H X 5 1/4 |            |
|      | Polished Nickel (PN) |                   |                                   |                            |            |

# Richmond

# Bath

INC



9730-AG-MO



9730-BN-MO



9730-PN-MO

| 9730* | Finish               | Glass             | Lamping                           | Dimensions                                | Projection |
|-------|----------------------|-------------------|-----------------------------------|---|------------|
|       | Aged Brass (AG)      | Matte Opal (MO)   | Incandescent 1-60 Watt Candelabra | 11 1/4 H X 4 W<br>Backplate 7 1/2 H X 4 W | 4 3/4      |
|       | Brushed Nickel (BN)  | 7 1/2 H X 2 3/4 W |                                   |   |            |
|       | Polished Nickel (PN) |                   |                                   |   |            |

\*Trim plate available  
NOTE: small black plate - requires a switch box

# Bath

## Franklin

INC



3310-BN-BSO



3310-PN-BSO

| 3310 | Finish                 | Glass                 | Lamping                       | Dimensions        | Projection |
|------|------------------------|-----------------------|-------------------------------|-------------------|------------|
|      | Brushed Nickel (BN)    | Bell Shiny Opal (BSO) | Incandescent 1-75 Watt Edison | 8 3/4 H X 5 1/2 W | 10 1/4     |
|      | Oil Rubbed Bronze (OB) | 4 H X 4 3/4 W         |                               | Backplate 5 1/2   |            |
|      | Polished Nickel (PN)   |                       |                               |                   |            |



## Franklin

The timeless design of the adjustable arm Franklin provides beauty and flexibility in the bathroom.

INC-

3310-OB-BSO



The Franklin arm extends up to 12 inches

## Lenox

A highly detailed sconce which evokes early 20th century lighting designs is offered with a unique cast globe holder.



| 8550 | Finish                 | Glass             | Lamping                           | Dimensions                        | Projection |
|------|------------------------|-------------------|-----------------------------------|-----------------------------------|------------|
|      | Brushed Nickel (BN)    | Shiny Opal (SO)   | Incandescent 2-60 Watt Candelabra | 11 1/2 H X 7 1/2 W<br>Backplate 5 | 8          |
|      | Oil Rubbed Bronze (OB) | 4 3/4 H X 7 1/2 W |                                   |                                   |            |
|      | Polished Nickel (PN)   |                   |                                   |                                   |            |

# Arlington

# Bath

INC—



8001-PN-FR



8001-BN-FR

| 8001 | Finish               | Glass             | Lamping                        | Dimensions                            | Projection |
|------|----------------------|-------------------|--------------------------------|---------------------------------------|------------|
|      | Brushed Nickel (BN)  | Frosted (FR)      | Incandescent 1-100 Watt Edison | 10 1/2 H X 6 1/4 W<br>Backplate 5 3/8 | 7 1/4      |
|      | Polished Nickel (PN) | 5 1/2 H X 5 1/2 W |                                |                                       |            |

## Sapphire

Inspired by the facets and angles of cut gems, the Sapphire Sconce reflects the light in an exceptional way. The two and three light sconces will shine in the bath while the single sconce will complement many room decors.

INC



9711-CH-SO



9712-BN-SO

| 9711 | Finish                             | Glass                        | Lamping                       | Dimensions                                    | Projection |
|------|------------------------------------|------------------------------|-------------------------------|---|------------|
|      | Brushed Nickel (BN)<br>Chrome (CH) | Shiny Opal (SO)<br>5 H X 6 W | Incandescent 1-75 Watt Edison | 8 3/4 H X 5 W<br>Backplate 5 3/4 H X 4 1/8 W  | 6 1/2      |
| 9712 | Brushed Nickel (BN)<br>Chrome (CH) | Shiny Opal (SO)<br>5 H X 6 W | Incandescent 2-75 Watt Edison | 8 3/4 H X 16 W<br>Backplate 5 3/4 H X 4 1/8 W | 8          |
| 9713 | Brushed Nickel (BN)<br>Chrome (CH) | Shiny Opal (SO)<br>5 H X 6 W | Incandescent 3-75 Watt Edison | 8 3/4 H X 24 W<br>Backplate 5 3/4 H X 4 1/8 W | 8          |





9713-CH-SO

# Bath



9722-BN-FR

Sienna



Sienna

Curved details and a soft glow combine to create a traditional/ transitional sconce that becomes an extension of today's quality faucet and bath hardware designs.

INC



9721-CH-FR



9723-CH-FR

| 9721 | Finish                             | Glass                             | Lamping                       | Dimensions                        | Projection |
|------|------------------------------------|-----------------------------------|-------------------------------|-----------------------------------|------------|
|      | Brushed Nickel (BN)<br>Chrome (CH) | Frosted (FR)<br>5 1/2 H X 5 1/2 W | Incandescent 1-75 Watt Edison | 9 H X 5 1/2 W<br>Backplate 5 1/2  | 8 1/2      |
| 9722 | Brushed Nickel (BN)<br>Chrome (CH) | Frosted (FR)<br>5 1/2 H X 5 1/2 W | Incandescent 2-75 Watt Edison | 9 H X 16 3/4 W<br>Backplate 5 1/2 | 8 1/2      |
| 9723 | Brushed Nickel (BN)<br>Chrome (CH) | Frosted (FR)<br>5 1/2 H X 5 1/2 W | Incandescent 3-75 Watt Edison | 9 H X 24 W<br>Backplate 5 1/2     | 8 1/2      |

# Bath

## Wave

Fluid in conception, purposeful in design, flawless in its realization, the wave is clean, organic yet direct – architectural. The asymmetry of the one light wave requires a right and left handed sconce.

INC

CFL

ADA



Left Handed Sconce  
8900-CH-SO



Right Handed Sconce  
8901-BN-SO

| 8900 - Left  | Finish                             | Glass                            | Lamping                     | Dimensions                           | Projection |
|--------------|------------------------------------|----------------------------------|-----------------------------|--------------------------------------|------------|
|              | Brushed Nickel (BN)<br>Chrome (CH) | Shiny Opal (SO)<br>8 H X 3 1/4 W | Incandescent 1-60 Watt T-10 | 9 1/2 H X 6 W<br>Backplate 5 H X 6 W | 4          |
| 8901 - Right |                                    |                                  |                             |                                      |            |
|              | Brushed Nickel (BN)<br>Chrome (CH) | Shiny Opal (SO)<br>8 H X 3 1/4 W | Incandescent 1-60 Watt T-10 | 9 1/2 H X 6 W<br>Backplate 5 H X 6 W | 4          |



# Bath



# Bath





# Wave Double Sconce

INC—

CFL—



8902-CH-SO

| 8902 | Finish                             | Glass                            | Lamping                     | Dimensions                            | Projection |
|------|------------------------------------|----------------------------------|-----------------------------|---------------------------------------|------------|
|      | Brushed Nickel (BN)<br>Chrome (CH) | Shiny Opal (SO)<br>8 H X 3 1/4 W | Incandescent 2-60 Watt T-10 | 6 H X 17 1/2 W<br>Backplate 6 H X 5 W | 4          |

# Bath

## Kathryn

The Kathryn is our crowning achievement when referencing the vicotrian style. The graceful cast octagonal backplate reflects the opulence of that era and complements the luxurious baths of today.



8942-CH-FR

Kathryn



INC



8941-BN-FR



8941-CH-FR

| 8941 | Finish                             | Glass                         | Lamping                              | Dimensions                         | Projection |
|------|------------------------------------|-------------------------------|--------------------------------------|------------------------------------|------------|
|      | Brushed Nickel (BN)<br>Chrome (CH) | Frosted (FR)<br>4 3/4 H X 7 W | Incandescent 1-60 Watt Edison G Bulb | 8 1/2 H X 7 W<br>Backplate 5       | 8 1/8      |
| 8942 | Brushed Nickel (BN)<br>Chrome (CH) | Frosted (FR)<br>4 3/4 H X 7 W | Incandescent 2-60 Watt Edison G Bulb | 8 1/2 H X 18 3/16 W<br>Backplate 5 | 8 1/8      |

# Bath

Kathryn

INC



8943-BN-FR



8941-BN-FR

| 8943 | Finish                             | Glass                         | Lamping                              | Dimensions                             | Projection |
|------|------------------------------------|-------------------------------|--------------------------------------|--|------------|
|      | Brushed Nickel (BN)<br>Chrome (CH) | Frosted (FR)<br>4 3/4 H X 7 W | Incandescent 3-60 Watt Edison G Bulb | 8 1/2 H X 24 1/2 3/16 W<br>Backplate 5 | 8 1/8      |



# Bath

Elizabeth

INC



8951-BN-FL



8951-OB-FL

| 8951 | Finish                 | Glass             | Lamping                       | Dimensions        | Projection |
|------|------------------------|-------------------|-------------------------------|-------------------|------------|
|      | Brushed Nickel (BN)    | Flare (FL)        | Incandescent 1-75 Watt Edison | 9 1/2 H X 6 1/2 W | 7 1/4      |
|      | Oil Rubbed Bronze (OB) | 6 3/4 H X 6 1/2 W |                               | Backplate 5 1/4   |            |
|      | Polished Nickel (PN)   |                   |                               |                   |            |



## Elizabeth

The Elizabeth series features a beautifully knurled backplate. This finely crafted design detail transforms the Elizabeth suite into an artistic statement of great refinement.

INC



8952-PN-FL



8951-PN-FL

| 8952 | Finish                 | Glass             | Lamping                       | Dimensions                        | Projection |
|------|------------------------|-------------------|-------------------------------|-----------------------------------|------------|
|      | Brushed Nickel (BN)    | Flare (FL)        | Incandescent 2-75 Watt Edison | 9 1/2 H X 17 W<br>Backplate 5 1/4 | 7 1/4      |
|      | Oil Rubbed Bronze (OB) | 6 3/4 H X 6 1/2 W |                               |                                   |            |
|      | Polished Nickel (PN)   |                   |                               |                                   |            |

# Bath



8952-PN-FL



8951-PN-FL

Elizabeth

# Elizabeth

INC-



8953-PN-FL

| 8953 | Finish  | Glass                           | Lamping                       | Dimensions                        | Projection |
|------|---|---------------------------------|-------------------------------|-----------------------------------|------------|
|      | Brushed Nickel (BN)<br>Oil Rubbed Bronze (OB)<br>Polished Nickel (PN) | Flare (FL)<br>6 3/4 H X 6 1/2 W | Incandescent 3-75 Watt Edison | 9 1/2 H X 24 W<br>Backplate 5 1/4 | 7 1/4      |

## Soft Square

The Soft Square offers a variation on contemporary style. This modern day classic will enhance a range of bathroom decors.

INC



8931-BN-SO



8931-CH-SO

| 8931 | Finish                             | Glass                                | Lamping                       | Dimensions                   | Projection |
|------|------------------------------------|--------------------------------------|-------------------------------|------------------------------|------------|
|      | Brushed Nickel (BN)<br>Chrome (CH) | Shiny Opal (SO)<br>4 1/2 H X 4 1/2 W | Incandescent 1-75 Watt Edison | 8 1/2 H X 5 W<br>Backplate 5 | 6 3/8      |





Soft Square

# Bath

## Soft Square

INC



8932-CH-SO



8932-BN-SO

| 8932 | Finish                             | Glass                                | Lamping                       | Dimensions                        | Projection |
|------|------------------------------------|--------------------------------------|-------------------------------|-----------------------------------|------------|
|      | Brushed Nickel (BN)<br>Chrome (CH) | Shiny Opal (SO)<br>4 1/2 H X 4 1/2 W | Incandescent 2-75 Watt Edison | 8 1/2 H X 15 3/4 W<br>Backplate 5 | 6 3/8      |

Soft Square

Bath

INC-



8933-CH-SO

| 8933 | Finish                             | Glass                                | Lamping                       | Dimensions                        | Projection |
|------|------------------------------------|--------------------------------------|-------------------------------|-----------------------------------|------------|
|      | Brushed Nickel (BN)<br>Chrome (CH) | Shiny Opal (SO)<br>4 1/2 H X 4 1/2 W | Incandescent 3-75 Watt Edison | 8 1/2 H X 22 1/4 W<br>Backplate 5 | 6 3/8      |

# Bath



Emily



## Emily

The Emily reflects the very best of Norwell's traditionally inspired style. Its classic lines are never out of fashion. The angle of the one light sconce can easily be adjusted to the preference of the individual.

INC



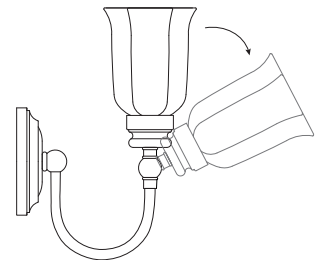
8911-CH-HXO



8911-BN-HXO  
Mounts either direction



8913-BN-HXO



Emily 1 light adjusts to suit your needs

| 8911 | Finish   | Glass                                 | Lamping                       | Dimensions                             | Projection |
|------|--|---------------------------------------|-------------------------------|--|------------|
|      | Brushed Nickel (BN)<br>Chrome (CH)<br>Oil Rubbed Bronze (OB) | Hexagonal Opal (HXO)<br>5 3/4 H X 5 W | Incandescent 1-75 Watt Edison | 11 1/2 H X 5 1/4 W<br>Backplate 5 1/4  | 7 1/4      |
| 8913 | Brushed Nickel (BN)<br>Chrome (CH)<br>Oil Rubbed Bronze (OB) | Hexagonal Opal (HXO)<br>5 3/4 H X 5 W | Incandescent 3-75 Watt Edison | 11 1/2 H X 20 1/2 W<br>Backplate 5 1/4 | 7 1/4      |

# Bath

## Emily

INC-

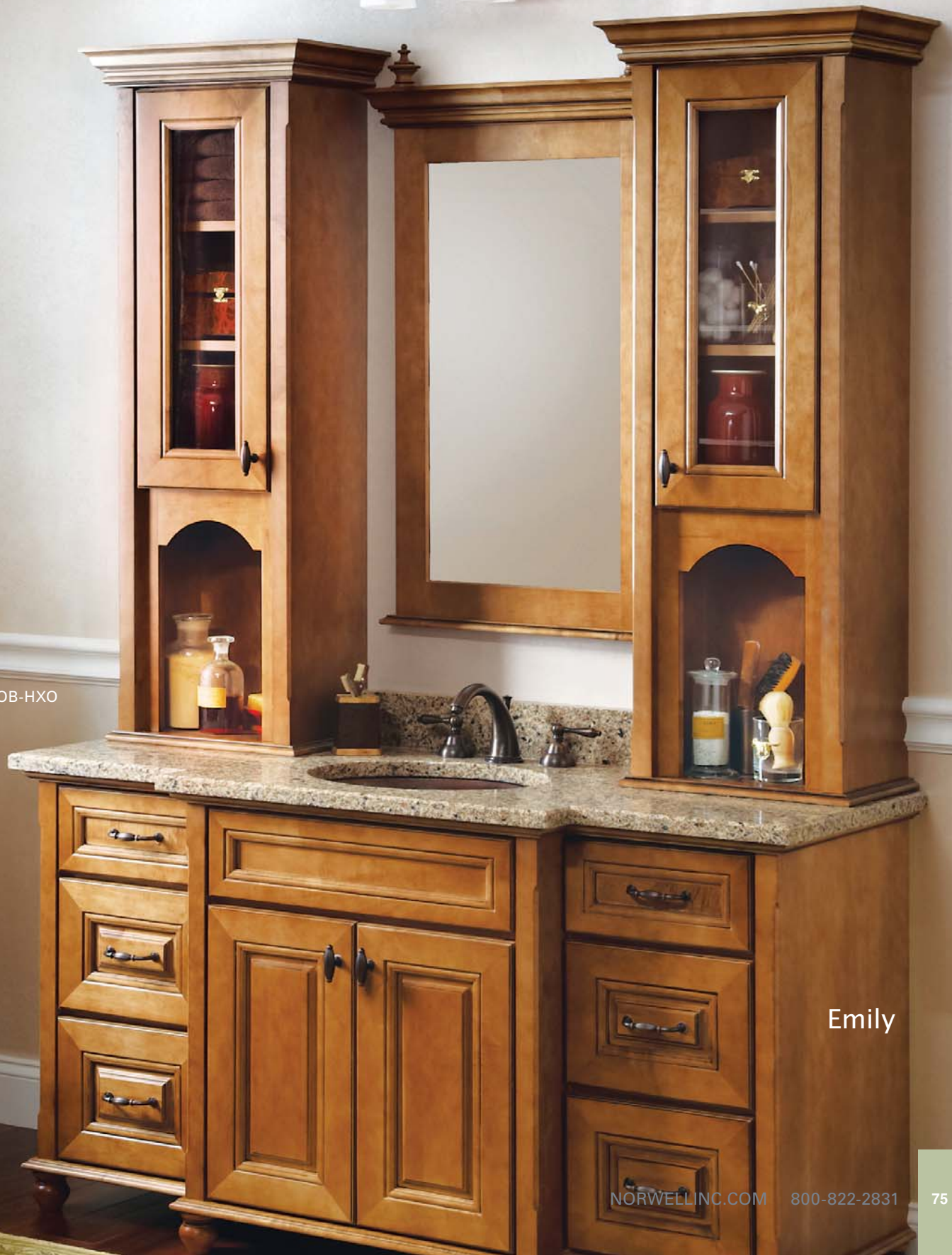


8911-OB-HXO



8912-OB-HXO

| 8911 | Finish   | Glass                                 | Lamping                       | Dimensions                             | Projection |
|------|--|---------------------------------------|-------------------------------|--|------------|
|      | Brushed Nickel (BN)<br>Chrome (CH)<br>Oil Rubbed Bronze (OB) | Hexagonal Opal (HXO)<br>5 3/4 H X 5 W | Incandescent 1-75 Watt Edison | 11 1/2 H X 5 1/4 W<br>Backplate 5 1/4  | 7 1/4      |
| 8912 | Brushed Nickel (BN)<br>Chrome (CH)<br>Oil Rubbed Bronze (OB) | Hexagonal Opal (HXO)<br>5 3/4 H X 5 W | Incandescent 2-75 Watt Edison | 11 1/2 H X 15 W<br>Backplate 5 1/4     | 7 1/4      |
| 8913 | Brushed Nickel (BN)<br>Chrome (CH)<br>Oil Rubbed Bronze (OB) | Hexagonal Opal (HXO)<br>5 3/4 H X 5 W | Incandescent 3-75 Watt Edison | 11 1/2 H X 20 1/2 W<br>Backplate 5 1/4 | 7 1/4      |



8913-OB-HXO

Emily

# Bath

## Soleil

The detailed beading on the backplate offers sophistication and elegance for your home.

INC



9661-CH-FL



9662-BN-FL

| 9661 | Finish                             | Glass                            | Lamping                       | Dimensions                        | Projection |
|------|------------------------------------|----------------------------------|-------------------------------|-----------------------------------|------------|
|      | Brushed Nickel (BN)<br>Chrome (CH) | Flared (FL)<br>4 3/4 H X 6 1/2 W | Incandescent 1-75 Watt Edison | 7 3/4 H X 6 1/2 W<br>Backplate 6  | 8          |
| 9662 |                                    |                                  |                               |                                   |            |
|      | Brushed Nickel (BN)<br>Chrome (CH) | Flared (FL)<br>4 3/4 H X 6 1/2 W | Incandescent 2-75 Watt Edison | 8 1/4 H X 17 1/2 W<br>Backplate 6 | 8          |





Soleil

# Bath

Soleil

INC



9663-CH-FL



9664-CH-FL

| 9663 | Finish                             | Glass                            | Lamping                       | Dimensions                        | Projection |
|------|------------------------------------|----------------------------------|-------------------------------|-----------------------------------|------------|
|      | Brushed Nickel (BN)<br>Chrome (CH) | Flared (FL)<br>4 3/4 H X 6 1/2 W | Incandescent 3-75 Watt Edison | 9 1/4 H X 22 1/4 W<br>Backplate 6 | 8          |
| 9664 | Brushed Nickel (BN)<br>Chrome (CH) | Flared (FL)<br>4 3/4 H X 6 1/2 W | Incandescent 4-75 Watt Edison | 9 1/8 H X 30 W<br>Backplate 6     | 8          |

Soleil

Now available in a four light

INC-



9663-BN-FL



9664-BN-FL

# Bath

## Maison

Inspired by the French countryside, the closed glass combines energy efficiency with old world charm.

CFL-



9621-CH-OP

| 9621 | Finish                 | Glass         | Lamping                | Dimensions    | Projection |
|------|------------------------|---------------|------------------------|---------------|------------|
|      | Brushed Nickel (BN)    | Opal (OP)     | Fluorescent 1-18W GU24 | 9 1/2 H X 5 W | 6 3/8      |
|      | Chrome (CH)            | 5 1/2 H X 5 W |                        | Backplate 5   |            |
|      | Oil Rubbed Bronze (OB) |               |                        |               |            |



## Spencer

A beautiful knurled backplate and matching globe holder are graceful in any setting.

INC—



8791-BN-OP



8791-CH-OP

| 8791 | Finish                             | Glass                          | Lamping                       | Dimensions                   | Projection |
|------|------------------------------------|--------------------------------|-------------------------------|------------------------------|------------|
|      | Brushed Nickel (BN)<br>Chrome (CH) | Opal (OP)<br>4 1/2 H X 4 3/4 W | Incandescent 1-75 Watt Edison | 8 1/2 H X 5 W<br>Backplate 5 | 7 1/2      |

# Bath

Spencer

INC



8792-BN-OP



8793-CH-OP

| 8792 | Finish                             | Glass                          | Lamping                       | Dimensions                        | Projection |
|------|------------------------------------|--------------------------------|-------------------------------|-----------------------------------|------------|
|      | Brushed Nickel (BN)<br>Chrome (CH) | Opal (OP)<br>4 1/2 H X 4 3/4 W | Incandescent 2-75 Watt Edison | 8 1/2 H X 14 3/4 W<br>Backplate 5 | 7 1/2      |
| 8793 | Brushed Nickel (BN)<br>Chrome (CH) | Opal (OP)<br>4 1/2 H X 4 3/4 W | Incandescent 3-75 Watt Edison | 8 1/2 H X 21 1/2 W<br>Backplate 5 | 7 1/2      |



Beautiful knurling and inversion backplate

## Spencer

# Bath

Matthew

INC



9636-BN-SQ



9637-CH-SQ

| 9636 | Finish                             | Glass                            | Lamping                       | Dimensions                            | Projection |
|------|------------------------------------|----------------------------------|-------------------------------|---------------------------------------|------------|
|      | Brushed Nickel (BN)<br>Chrome (CH) | Square (SQ)<br>4 1/2 H X 4 1/4 W | Incandescent 2-75 Watt Edison | 8 1/4 H X 13 1/2 W<br>Backplate 4 1/2 | 6 1/2      |
| 9637 |                                    |                                  |                               |                                       |            |
|      | Brushed Nickel (BN)<br>Chrome (CH) | Square (SQ)<br>4 1/2 H X 4 1/4 W | Incandescent 3-75 Watt Edison | 8 1/4 H X 22 W<br>Backplate 4 1/2     | 6 1/2      |



# Matthew

Crisp details merge from the strong square backplate with the softer lines of the glass holder.



9635-CH-SQ

| 9635 | Finish                             | Glass                            | Lamping                       | Dimensions                           | Projection |
|------|------------------------------------|----------------------------------|-------------------------------|--------------------------------------|------------|
|      | Brushed Nickel (BN)<br>Chrome (CH) | Square (SQ)<br>4 1/2 H X 4 1/4 W | Incandescent 1-75 Watt Edison | 8 1/4 H X 4 1/2 W<br>Backplate 4 1/2 | 6 1/2      |

## Jenna

The Jenna's unique raised arm allows it to be easily mounted above existing cabinets. Jenna features an elegant hexagonal backplate.

INC



8532-BN-OP



8533-CH-OP

| 8531 | Finish                             | Glass                          | Lamping                       | Dimensions  | Projection |
|------|------------------------------------|--------------------------------|-------------------------------|---|------------|
|      | Brushed Nickel (BN)<br>Chrome (CH) | Opal (OP)<br>4 1/4 H X 6 1/4 W | Incandescent 1-75 Watt Edison | 7 1/8 H X 6 1/2 W<br>Backplate 5 1/2 H X 6 1/2 W  | 7 3/4      |
| 8532 | Brushed Nickel (BN)<br>Chrome (CH) | Opal (OP)<br>4 1/4 H X 6 1/4 W | Incandescent 2-75 Watt Edison | 7 1/8 H X 17 3/4 W<br>Backplate 5 1/2 H X 6 1/2 W | 7 3/4      |
| 8533 | Brushed Nickel (BN)<br>Chrome (CH) | Opal (OP)<br>4 1/4 H X 6 1/4 W | Incandescent 3-75 Watt Edison | 7 1/8 H X 25 1/4 W<br>Backplate 5 1/2 H X 6 1/2 W | 7 3/4      |

Bath



8531-CH-OP



# Bath



Sophie



# Sophie

## Bath

INC



8581-CH-BSO



8581-BN-BSO

| 8581 | Finish                             | Glass                                  | Lamping                       | Dimensions                   | Projection |
|------|------------------------------------|--|-------------------------------|------------------------------|------------|
|      | Brushed Nickel (BN)<br>Chrome (CH) | Bell Shiny Opal (BSO)<br>4 H X 4 3/4 W | Incandescent 1-75 Watt Edison | 8 1/4 H X 5 W<br>Backplate 5 | 7          |

INC



8582-BN-BSO



8583-CH-BSO

## Sophie

| 8582 | Finish                             | Glass                                  | Lamping                       | Dimensions                        | Projection |
|------|------------------------------------|--|-------------------------------|-----------------------------------|------------|
|      | Brushed Nickel (BN)<br>Chrome (CH) | Bell Shiny Opal (BSO)<br>4 H X 4 3/4 W | Incandescent 2-75 Watt Edison | 8 1/4 H X 16 1/2 W<br>Backplate 5 | 7          |
| 8583 | Brushed Nickel (BN)<br>Chrome (CH) | Bell Shiny Opal (BSO)<br>4 H X 4 3/4 W | Incandescent 3-75 Watt Edison | 8 1/4 H X 24 W<br>Backplate 5     | 7          |

Trevi

The Trevi series presents a detailed octagonal backplate that mirrors the gracefully curved arm and opal glass. This offers a perfect solution for an oval mirror. Two glass shapes are available: a unique hexagonal shape or a classically curved double opal.

INC-



8318-BN-HXO



8318-BN-DO

| 8318 | Finish                             | Glass  | Lamping                       | Dimensions                                   | Projection        |
|------|------------------------------------|--|-------------------------------|--|-------------------|
|      | Brushed Nickel (BN)<br>Chrome (CH) | Hexagonal Opal (HXO)<br>5 3/4 H X 4 W<br>Double Opal (DO)<br>4 1/2 H X 5 1/2 W | Incandescent 1-75 Watt Edison | 7 H X 4 7/8 W<br>Backplate 5 1/2 H X W 4 7/8 | HXO 7<br>DO 9 1/4 |

# Bath

Trevi

INC



8319-CH-DO



8320L-CH-DO

| 8319  | Finish                             | Glass  | Lamping                       | Dimensions                                     | Projection        |
|-------|------------------------------------|--|-------------------------------|--|-------------------|
|       | Brushed Nickel (BN)<br>Chrome (CH) | Hexagonal Opal (HXO)<br>5 3/4 H X 4 W<br>Double Opal (DO)<br>4 1/2 H X 5 1/2 W | Incandescent 2-75 Watt Edison | 8 H X 17 W<br>Backplate 4 7/8 H X W 5 1/2      | HXO 7<br>DO 9 1/4 |
| 8320L | Brushed Nickel (BN)<br>Chrome (CH) | Hexagonal Opal (HXO)<br>5 3/4 H X 4 W<br>Double Opal (DO)<br>4 1/2 H X 5 1/2 W | Incandescent 3-75 Watt Edison | 10 1/2 H X 22 W<br>Backplate 4 7/8 H X W 5 1/2 | HXO 7<br>DO 9 1/4 |





8320L-BN-HXO

# Bath



Coventry



## Coventry

The Classic simplicity of the Coventry bathroom lighting is a pure expression of American form and function. The circular backplate design will easily impart its clean style within a variety of bathroom decors.

INC



8124-CH-SO



8125-BN-SO



8126-CH-SO

| 8124 | Finish                             | Glass                            | Lamping                       | Dimensions                         | Projection |
|------|------------------------------------|----------------------------------|-------------------------------|------------------------------------|------------|
|      | Brushed Nickel (BN)<br>Chrome (CH) | Shiny Opal (SO)<br>4 3/4 H X 6 W | Incandescent 1-75 Watt Edison | 10 H X 6 W<br>Backplate 5 1/8      | 9 1/2      |
| 8125 | Brushed Nickel (BN)<br>Chrome (CH) | Shiny Opal (SO)<br>4 3/4 H X 6 W | Incandescent 2-75 Watt Edison | 10 H X 15 1/2 W<br>Backplate 5 1/8 | 9 1/2      |
| 8126 | Brushed Nickel (BN)<br>Chrome (CH) | Shiny Opal (SO)<br>4 3/4 H X 6 W | Incandescent 3-75 Watt Edison | 10 H X 24 W<br>Backplate 5 1/8     | 9 1/2      |

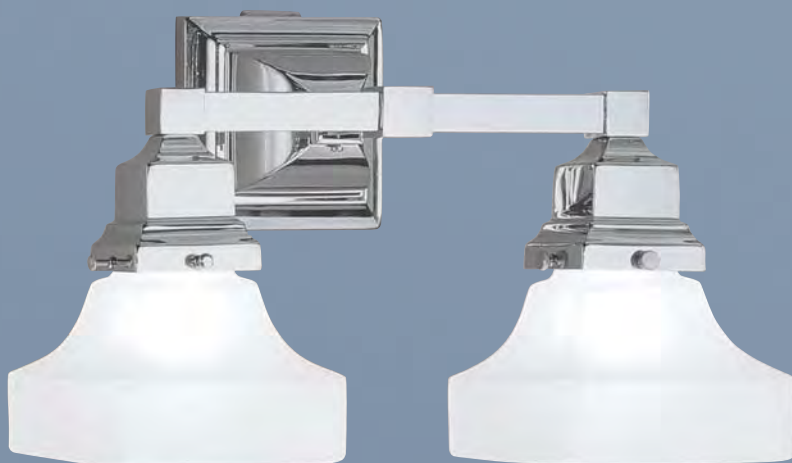
## Birmingham

The Birmingham reflects a Victorian influence with its square stamped backplate. This design is offered with two unique glass options.

INC—



8123-BN-SQ



8122-CH-PY



Birmingham Flush Mount  
Page: 151

| 8121 | Finish                             | Glass   | Lamping                       | Dimensions                            | Projection                |
|------|------------------------------------|---|-------------------------------|---------------------------------------|---------------------------|
|      | Brushed Nickel (BN)<br>Chrome (CH) | Square (SQ) 4 1/2 H X 4 1/4 W<br>Pyramid (PY) 4 H X 5 W | Incandescent 1-75 Watt Edison | 8 1/2 H X 5 W<br>Backplate 4 1/2      | Pyramid 7 3/4<br>Square 7 |
| 8122 | Brushed Nickel (BN)<br>Chrome (CH) | Square (SQ) 4 1/2 H X 4 1/4 W<br>Pyramid (PY) 4 H X 5 W | Incandescent 2-75 Watt Edison | 8 1/2 H X 13 3/4 W<br>Backplate 4 1/2 | Pyramid 7 3/4<br>Square 7 |
| 8123 | Brushed Nickel (BN)<br>Chrome (CH) | Square (SQ) 4 1/2 H X 4 1/4 W<br>Pyramid (PY) 4 H X 5 W | Incandescent 3-75 Watt Edison | 8 1/2 H X 22 W<br>Backplate 4 1/2     | Pyramid 7 3/4<br>Square 7 |



# Bath

INC



8121-BN-PY



8121-CH-PY

## Birmingham

# Bath

## Bradford

These classic sconces with heavy gauge brass tubing are offered with a replication 19<sup>th</sup> century glass.

INC



8201-PN-AC



8202-BN-AC

| 8201 | Finish                                      | Glass                           | Lamping                       | Dimensions                        | Projection |
|------|---|---------------------------------|-------------------------------|-----------------------------------|------------|
|      | Brushed Nickel (BN)<br>Polished Nickel (PN) | Acorn (AC)<br>6 1/4 H X 6 3/4 W | Incandescent 1-75 Watt Edison | 11 H X 6 1/2 W<br>Backplate 5 1/8 | 10         |
| 8202 |   |                                 |                               |                                   |            |
|      | Brushed Nickel (BN)<br>Polished Nickel (PN) | Acorn (AC)<br>6 1/4 H X 6 3/4 W | Incandescent 2-75 Watt Edison | 11 H X 16 W<br>Backplate 5 1/8    | 10         |



8203-PN-AC



Bradford Flush Mount  
Page: 143

| 8203 | Finish               | Glass             | Lamping                       | Dimensions                     | Projection |
|------|----------------------|-------------------|-------------------------------|--------------------------------|------------|
|      | Brushed Nickel (BN)  | Acorn (AC)        | Incandescent 3-75 Watt Edison | 11 H X 24 W<br>Backplate 5 1/8 | 10         |
|      | Polished Nickel (PN) | 6 1/4 H X 6 3/4 W |                               |                                |            |

# Sconces



Design is in the details for Norwell's impeccably crafted sconces. Matte glass, polished brass, subtle backplates, and more are thoughtfully selected to ensure that each light is both practical and beautiful. Norwell offers both LED and Incandescent light options to accent any space.





Roule Sconce  
Pages 102

# Norwell

# Sconces

## Roule

Elegant curved candelabra style single light sconce with fine detailing and beveled mirrored backplate.

INC-



5611-PN-WS



5611-BN-WS

Beveled mirrored backplate

Roule Pendants  
Page: 166-169



| 5611 | Finish               | Glass             | Lamping              | Dimensions           | Projection |
|------|----------------------|-------------------|----------------------|----------------------|------------|
|      | Brushed Nickel (BN)  | White Shade (WS)  | Incandescent         | 17 H X 5 1/4 W       | 6 1/4      |
|      | Polished Nickel (PN) | 5 1/2 H X 5 1/4 W | 1-60 Watt Candelabra | Backplate 11 H X 5 W |            |

## Curl

This glowing ribbon shaped metal sconce brings an added design feature along with illumination to interiors and hallways.

## Sconces

INC



7001-AN-NG

| 7001 | Finish                                    | Glass    | Lamping                    | Dimensions | Projection |
|------|---|----------|----------------------------|------------|------------|
|      | Antique Brass (AN)<br>Brushed Pewter (BP) | No Glass | Incandescent 2-60 Watt G16 | 12 H X 9 W | 4          |

# Sconces

## Lucas

A tall rectangular sconce in layers of glass, metal and perforated mesh are combined to create this on trend wall sconce

INC

ADA



8980-BN-CL



8980-CH-CL

| 8980 | Finish                             | Glass   | Lamping                                    | Dimensions                               | Projection |
|------|------------------------------------|---|--|--|------------|
|      | Brushed Nickel (BN)<br>Chrome (CH) | Inner Perforated Metal Screen<br>Outer Clear Glass (CL) | Incandescent 60 W Max<br>E26 or T10 Edison | 13.5 H X 4.5 W<br>Backplate 10 H X 4.5 W | 4          |



## Grace

An elegant sconce with oversized backplate and a hinged arm joint is softened by a delicate white fabric oval shade.

INC



Oval shade

Arm pivots left or right

8240-PN-WS

| 8240 | Finish                                      | Shade            | Lamping                           | Dimensions          | Projection |
|------|---|------------------|-----------------------------------|---------------------|------------|
|      | Brushed Nickel (BN)<br>Polished Nickel (PN) | White Shade (WS) | Incandescent 1-60 Watt Max Edison | 14 1/2 H X 10 1/2 W | 10         |

## Aiden Swing Arm

This versatile luminaire adjusts at three different points and includes an on/off switch on the backplate. This can be hardwired or plugged into the wall.

INC-



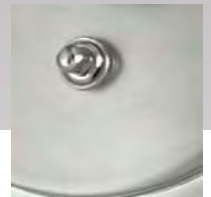
8475-AG-MS



8475-AR-MS



8475-BN-MS



Push button on/off

| 8475 | Finish                    | Shade                | Lamping                       | Dimensions           | Projection |
|------|---------------------------|----------------------|-------------------------------|----------------------|------------|
|      | Aged Brass (AG)           | Metal Shade (MS)     | Incandescent 1-60 Watt Edison | 18 1/2 H X 8 W       | 5 1/2      |
|      | Architectural Bronze (AR) | 6 1/2 H X 8 W        |                               | Maximum Extension 20 |            |
|      | Brushed Nickel (BN)       | Painted White Inside |                               |                      |            |

## Maggie

This swing-arm sconce has three point adjustability and is available in two finishes. It also offers a on/off switch on the backplate and has the ability to be hard-wired or plugged in for ease of installation.

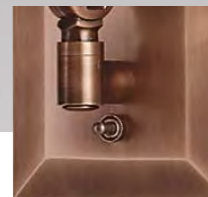
INC-



8471-PW-MS



8471-AR-MS



Push button on/off

| 8471 | Finish                                   | Glass   | Lamping                               | Dimensions                                       | Projection |
|------|--|---|---------------------------------------|--|------------|
|      | Architectural Bronze (AR)<br>Pewter (PW) | Metal Shade (MS)<br>5 3/4 H X 5 1/4 W<br>Painted White Inside | Incandescent 1-75 Watt Maximum Edison | 6 3/4 H X 8 1/2 W<br>Backplate 6 3/4 H X 4 1/4 W | Adjustable |

# Sconces



8986-BN-WS



8986-CH-WS

Maxwell



## Maxwell

This transitional sconce is made with a square backplate and geometric white shade floating on an angular arm.



INC  
ADA

8985-BN-WS



8985-CH-WS

| 8985 | Finish   | Shade            | Lamping                                   | Dimensions                                   | Projection |
|------|--|------------------|---|--|------------|
|      | Brushed Nickel (BN)<br>Chrome (CH)<br>Polished Nickel (PN) | White Shade (WS) | Incandescent 1-60 Watt medium base Edison | 11 1/2 H X 7 W<br>Backplate 4.25 H X 4.75 W  | 4          |
| 8986 | Brushed Nickel (BN)<br>Chrome (CH)<br>Polished Nickel (PN) | White Shade (WS) | Incandescent 2-60 Watt medium base Edison | 11 1/2 H X 16 W<br>Backplate 4.25 H X 4.75 W | 4          |

# Sconces

## Timbale Large and Small

Michael Wolk designed LED sconces. The clean geometry and small scale of the Timbale small sconce is a popular choice for modern interiors. Timbale small counter-part is the Timbale Large LED sconce. These drum inspired sconces brighten any space with contemporary styling and LED lamping.

LED-

ADA



1125-BA-AC  
Small



1126-BA-AC  
Large

| 1125 - Small | Finish                | Shade        | Lamping                  | Dimensions        | Projection |
|--------------|-----------------------|--------------|--------------------------|-------------------|------------|
|              | Brushed Aluminum (BA) | Acrylic (AC) | LED 2x2W 400lm 3000K CCT | 5 1/2 H X 4 1/4 W | 4          |
| 1126 - Large |                       |              |                          |                   |            |
|              | Brushed Aluminum (BA) | Acrylic (AC) | LED 2x2W 400lm 3000K CCT | 7 H X 7 W         | 8 3/4      |

## Edge

Michael Wolk designed this modern LED sconce. The Edge's clean geometry includes two sources of LED illumination, a downlight and a backlight.

LED-

[ADA](#)



1120-BA-AC

Two Sources of LED Illumination



| 1120 | Finish                | Shade        | Lamping                | Dimensions        | Projection |
|------|-----------------------|--------------|------------------------|-------------------|------------|
|      | Brushed Aluminum (BA) | Acrylic (AC) | LED 4W 640lm 3000K CCT | 4 1/2 H X 8 1/2 W | 3.5        |

# Sconces

Metro

LED-



8215-PN-SO

| 8215 | Finish                                      | Glass                            | Lamping                           | Dimensions         | Projection |
|------|---|----------------------------------|-----------------------------------|--------------------|------------|
|      | Brushed Nickel (BN)<br>Polished Nickel (PN) | Shiny Opal (SO)<br>5 1/4 H X 4 W | LED 430 lm 3000K CCT<br>*dimmable | 16 1/4 H X 5 1/2 W | 4 1/4      |

\* Refer to Norwellinc.com for LED Specifications



INC

ADA



5164-PN-MO



5164-BN-MO

| 5164 | Finish               | Glass           | Lamping                       | Dimensions              | Projection |
|------|----------------------|-----------------|-------------------------------|-------------------------|------------|
|      | Brushed Nickel (BN)  | Matte Opal (MO) | Incandescent 1-60 Watt Edison | 11 1/2 H X 8 W          | 4          |
|      | Polished Nickel (PN) | 3 1/4 H X 8 W   |                               | Backplate 8 H X 4 1/4 W |            |

# Sconces

## Jade

Clean lined and tall in stature, the Jade Sconce, with its floating backplate is distinguished amongst its peers. This sconce will be a pleasing addition to many rooms in the home.

INC



9670-BN-MO



9670-BR-MO



9670-PN-MO

| 9670 | Finish  | Glass                                | Lamping                           | Dimensions                                       | Projection |
|------|---|--------------------------------------|-----------------------------------|--|------------|
|      | Brushed Nickel (BN)<br>Bronze(BR)<br>Polished Nickel (PN) | Matte Opal (MO)<br>7 1/2 H X 4 1/2 W | Incandescent 1-75 Watt Max Edison | 13 1/2 H X 5 1/4 W<br>Backplate 13 1/2 H X 5 1/4 | 6 1/2      |

INC



8220-PN-WL

| 8220 | Finish               | Shade            | Lamping                | Dimensions     | Projection |
|------|----------------------|------------------|------------------------|----------------|------------|
|      | Brushed Nickel (BN)  | White Linen (WL) | Incandescent 1-60 Watt | 19 1/2 H X 7 W | 8 1/4      |
|      | Polished Nickel (PN) | 5 3/4 H x 7 W    | Candelabra             |                |            |

# SCONCES

## Maya

This crisp design is elegant in its simplicity. Whether it resides in the bath or living areas, the style will grace the room with its timeless profile. This accepts compact fluorescent spiral lamps.

INC-



9675-PN-WS



9675-AR-WS



9675-BN-WS

| 9675* | Finish                    | Shade            | Lamping                       | Dimensions               | Projection |
|-------|---------------------------|------------------|-------------------------------|--------------------------|------------|
|       | Aged Brass (AG)           | White Shade (WS) | Incandescent 1-60 Watt Edison | 19 1/4 H X 7 1/4 W       | 8 1/4      |
|       | Architectural Bronze (AR) | 7 H X 7 1/4 W    | Fluorescent 1-18 Watt         | Back plate 6 H X 3 3/4 W |            |
|       | Brushed Nickel (BN)       |                  | compatible Spiral CFL         |                          |            |
|       | Polished Nickel (PN)      |                  | (E26 Socket)                  |                          |            |
|       |                           |                  |                               | *Trim plate available    |            |
|       |                           |                  |                               | NOTE: small back plate - |            |
|       |                           |                  |                               | requires a switch box    |            |



# Sconces



9675-AG-WS

Maya 6 Arm Pendant  
Page: 170-173



Maya

Maya Chandelier





Sconces



Maya

# sconces

## Weston

INC-



5120-PN-WS



5120-BN-WS



5120-AG-WS

### Weston

| 5120* | Finish               | Shade            | Lamping                | Dimensions                  | Projection |
|-------|----------------------|------------------|------------------------|-----------------------------|------------|
|       | Brushed Nickel (BN)  | White Shade (WS) | Incandescent 1-60 Watt | 12 1/2 H X 6 W              | 6 3/4      |
|       | Polished Nickel (PN) | 5 H X 6 W        | Candelabra             | Backplate 4 1/2 H X 3 1/4 W |            |
|       | Aged Brass (AG)      |                  |                        |                             |            |

\*Trim plate available  
NOTE: small back plate - requires a switch box



Circa  
Simplicity

Sconces

INC



8141-PN-WS



8141-AG-WS



8141-BN-WS

| 8141* | Finish               | Glass            | Lamping                | Dimensions                  | Projection |
|-------|----------------------|------------------|------------------------|-----------------------------|------------|
|       | Brushed Nickel (BN)  | White Shade (WS) | Incandescent 1-60 Watt | 13 1/2 H X 4 W              | 4 3/4      |
|       | Polished Nickel (PN) | 4 H X 4W         | Candelabra             | Backplate 4 1/2 H X 3 1/2 W |            |
|       | Aged Brass (AG)      |                  |                        |                             |            |

\*Trim plate available  
NOTE: small back plate -  
requires a switch box

# Sconces

INC



8212-PN-WS



8212-BN-WS

| 8212 | Finish                                      | Glass                    | Lamping                           | Dimensions                            | Projection |
|------|---|--------------------------|-----------------------------------|---------------------------------------|------------|
|      | Brushed Nickel (BN)<br>Polished Nickel (PN) | White Pleated Shade (WS) | Incandescent 1-60 Watt Candelabra | 14 1/2 H X 6 1/2 W<br>Backplate 4 1/2 | 7 1/4      |

Georgetown

Norwell | Lighting

## Georgetown

The Georgetown is a beautifully proportioned tapered column sconce with neoclassical details.

Sconces

INC

ADA



8213-PN-WS

| 8213 | Finish                                      | Glass            | Lamping                           | Dimensions                    | Projection |
|------|---|------------------|-----------------------------------|-------------------------------|------------|
|      | Brushed Nickel (BN)<br>Polished Nickel (PN) | White Shade (WS) | Incandescent 1-60 Watt Candelabra | 15 H X 9 W<br>Backplate 4 1/2 | 4          |

# Sconces

## Revere

This classically designed fixture offers a unique on/off push button on the backplate for flexibility of use anywhere in the home.

INC-



3306-PB-CL



3306-PW-CL



Push button on/off





| 3306 | Finish                             | Glass            | Lamping                           | Dimensions         | Projection |
|------|------------------------------------|------------------|-----------------------------------|--------------------|------------|
|      | Pewter (PW)<br>Polished Brass (PB) | Clear Glass (CL) | Incandescent 1-60 Watt Candelabra | 11 1/2 H X 3 3/4 W | 5 3/4      |

Revere

# Flush Mount



Norwell's sophisticated flush mount fixtures cast a gorgeous glow in Incandescent or LED options. With a robust range of sizes and designs to choose from, these lights can be a subtle feature or major statement maker.





Isabel  
Page 137

# Norwell

# Flush Mount

## Meridian

LED



Meridian Large  
5636-BN-SO



Meridian Small  
5635-CH-MO

| 5635 - Small | Finish                             | Glass           | Lamping                           | Dimensions        |
|--------------|------------------------------------|-----------------|-----------------------------------|-------------------|
|              | Brushed Nickel (BN)<br>Chrome (CH) | Shiny Opal (SO) | LED 900lm 3000K CCT               | 4 H X 12 1/2 W    |
| 5636 - Large | Brushed Nickel (BN)<br>Chrome (CH) | Shiny Opal (SO) | LED 2160lm 3000K CCT<br>*dimnable | 4 1/2H X 15 3/4 W |

\*Refer to Norwellinc.com for LED specifications



## Carousel

Mimicking the subtle undulations of a carousel, this Michael Graves designed fixture adds movement and grace to a number of transitional spaces.

Flush Mount



5655-PN-CL

INC-



5655-BN-CL

| 5655 | Finish               | Glass             | Lamping                 | Dimensions          |
|------|----------------------|-------------------|-------------------------|---------------------|
|      | Brushed Nickel (BN)  | Clear Glass (CL)  | Incandescent 1-100 Watt | 5 3/4 H X 8 3/4 Dia |
|      | Polished Nickel (PN) | Inner White Glass | medium base Edison      | Overall Dia 12      |

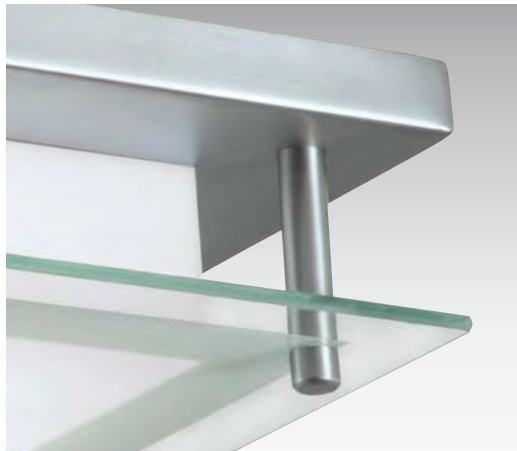
# Flush Mount

Niveaux

LED



5642-BN-SO



| 5642 | Finish                             | Glass           | Lamping             | Dimensions     |
|------|------------------------------------|-----------------|---------------------|----------------|
|      | Brushed Nickel (BN)<br>Chrome (CH) | Shiny Opal (SO) | LED 900lm 3000K CCT | 3 3/4 H X 12 W |

LED-



9653-PN-SO

Astor Single Sconce  
Page: 26-28



| 9653 | Finish               | Glass              | Lamping             | Dimensions         |
|------|----------------------|--------------------|---------------------|--------------------|
|      | Brushed Nickel (BN)  | Shiny Opal (SO)    | LED 900lm 3000k CCT | 6 1/2 H X 13 3/4 W |
|      | Polished Nickel (PN) | 5 1/4 H X 12 3/4 W |                     |                    |

# Flush Mount

## Clayton

Flush mount lighting to complement any decor.

INC-



5370-CH-SO

| 5370 | Finish                             | Glass           | Lamping                       | Dimensions |
|------|------------------------------------|-----------------|-------------------------------|------------|
|      | Brushed Nickel (BN)<br>Chrome (CH) | Shiny Opal (SO) | Incandescent 1-75 Watt Edison | 7 H X 12 W |



## Turnberry

Classic detailing with seedy glass and architectural bronze finish.

Flush Mount

INC



5645-AR-SE

| 5645 | Finish                    | Glass                               | Lamping                       | Dimensions     |
|------|---------------------------|-------------------------------------|-------------------------------|----------------|
|      | Architectural Bronze (AR) | White Inner, Seedy Glass Outer (SE) | Incandescent 2-60 Watt Edison | 7 H X 15 3/8 W |

# Flush Mount

Getty

LED-



5638-BN-FR



5638-BN-FR

| 5638 | Finish                                  | Glass        | Lamping             | Dimensions     |
|------|---|--------------|---------------------|----------------|
|      | Brushed Nickel (BN)<br>Matte White (WH) | Frosted (FR) | LED 900lm 3000K CCT | 3 1/2 H X 12 W |

LED



9699-CH-SO



Kaset Linear Sconces  
Page: 22-23

| 9699 | Finish                             | Glass           | Lamping                          | Dimensions        |
|------|------------------------------------|-----------------|----------------------------------|-------------------|
|      | Brushed Nickel (BN)<br>Chrome (CH) | Shiny Opal (SO) | LED 900lm 3000K CCT<br>*dimmable | 4 H X 15 W Square |

\*Refer to Norwellinc.com for LED specifications

# Flush Mount

## Roseau

A classic round flush mount reminiscent of 1950's Hollywood with its ribbed sides and frosted glass lens.

INC-



5651-AR-MO  
Large



5650-BN-MO  
Small

| 5650 - Small | Finish   | Glass           | Lamping  | Dimensions           |
|--------------|--|-----------------|--|----------------------|
|              | Architectural Bronze (AR)<br>Brushed Nickel (BN) | Matte Opal (MO) | Incandescent 2-60 Watt Max<br>medium base Edison | 4 3/4 H X 12 5/8 Dia |
| 5651 - Large |  |                 |  |                      |
|              | Architectural Bronze (AR)<br>Brushed Nickel (BN) | Matte Opal (MO) | Incandescent 3-60 Watt Max<br>medium base Edison | 4 3/4 H X 16 1/2 Dia |



## Isabel

This semi-flush fluted body and metal detailing adds glamour and style to any space.

Flush Mount

INC-



5652-AN-MO



5652-BN-MO

| 5652 | Finish*                                   | Glass           | Lamping                                      | Dimensions      |
|------|---|-----------------|--|-----------------|
|      | Antique Brass (AN)<br>Brushed Nickel (BN) | Matte Opal (MO) | Incandescent 4-60 Watt<br>medium base Edison | 10 1/4 H X 20 W |

# Flush Mount

## Brooklyn

INC



5634-BN-SO



5634-AN-SO

| 5634 | Finish  | Glass           | Lamping                       | Dimensions     |
|------|---|-----------------|-------------------------------|----------------|
|      | Antique Brass (AN)<br>Brushed Nickel (BN)<br>Polished Nickel (PN) | Shiny Opal (SO) | Incandescent 3-60 Watt Edison | 6 1/4 H X 15 W |

Flush Mount



5634-PN-SO

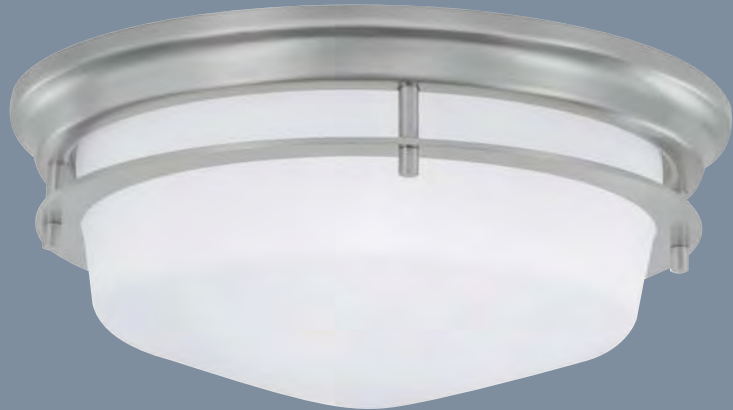


# Flush Mount

INC



Gallery 12"  
5632-PN-MO



Gallery 12"  
5632-BN-MO

## Gallery

| 5632 - 12" Finish    | Glass           | Lamping                       | Dimensions |
|----------------------|-----------------|-------------------------------|------------|
| Brushed Nickel (BN)  | Matte Opal (MO) | Incandescent 2-60 Watt Edison | 5 H X 12 W |
| Burnished Brass (BB) | 4 H X 10 W      |                               |            |
| Polished Nickel (PN) |                 |                               |            |



## Gallery

This early 20th century reproduction is enhanced by Matte Opal convex glass and offered in two sizes and three finishes.

Flush Mount

INC



Gallery 16"  
5633-PN-MO



Gallery 12"  
5632-BB-MO

| 5633 - 16" Finish    | Glass              | Lamping                       | Dimensions |
|----------------------|--------------------|-------------------------------|------------|
| Brushed Nickel (BN)  | Matte Opal (MO)    | Incandescent 3-60 Watt Edison | 6 H X 16 W |
| Burnished Brass (BB) | 4 3/4 H X 13 1/2 W |                               |            |
| Polished Nickel (PN) |                    |                               |            |

# Flush Mount

## Sandra

A unique ceiling mounted fixture with a ribbed glass diffuser coordinated with the perforated detail of the metal surround.

INC



5378-PN/BN-RI

| 5378 | Finish   | Glass             | Lamping                       | Dimensions         |
|------|--|-------------------|-------------------------------|--------------------|
|      | Polished Nickel with<br>Brushed Nickel Accents (PN/BN) | Ribbed Glass (RI) | Incandescent 2-60 Watt Edison | 4 1/2 H X 12 1/4 W |

## Bradford

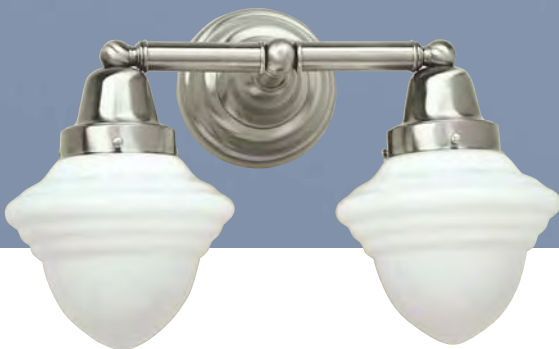
This classic ceiling mount with heavy gauge brass tubing is offered with a replication 19<sup>th</sup> century glass.

Flush Mount

INC—



8201F-BN-AC



Bradford Sconces  
Page: 96-97

| 8201F | Finish                                      | Glass                           | Lamping                       | Dimensions         | Canopy |
|-------|---|---------------------------------|-------------------------------|--------------------|--------|
|       | Brushed Nickel (BN)<br>Polished Nickel (PN) | Acorn (AC)<br>6 1/4 H X 6 3/4 W | Incandescent 1-75 Watt Edison | 10 1/2 H X 6 1/2 W | 6 1/8  |

# Flush Mount

## Leah Small

INC-



Leah Small  
5382-AR-SO



5382-AG-SO

| 5382 - small | Finish                    | Glass           | Lamping                       | Dimensions |
|--------------|---------------------------|-----------------|-------------------------------|------------|
|              | Aged Brass (AG)           | Shiny Opal (SO) | Incandescent 2-60 Watt Edison | 5 H X 10 W |
|              | Architectural Bronze (AR) |                 |                               |            |
|              | Brushed Nickel (BN)       |                 |                               |            |



Leah large

Flush Mount

INC



Leah Large  
5383-BN-SO

| 5383 - large | Finish  | Glass           | Lamping                       | Dimensions |
|--------------|---|-----------------|-------------------------------|------------|
|              | Aged Brass (AG)<br>Architectural Bronze (AR)<br>Brushed Nickel (BN) | Shiny Opal (SO) | Incandescent 3-60 Watt Edison | 6 H X 13 W |

# Flush Mount

## Soleil

Pair the Soleil flush mount with the Soleil sconce for a sophisticated, old world charm that will match throughout the bath and other rooms. This fixture is richly plated in your choice of chrome or brushed nickel.

INC-



5373-CH-SO



Soleil Sconce  
Page: 76-77

| 5373 | Finish                             | Glass           | Lamping                       | Dimensions     |
|------|------------------------------------|-----------------|-------------------------------|----------------|
|      | Brushed Nickel (BN)<br>Chrome (CH) | Shiny Opal (SO) | Incandescent 2-60 Watt Edison | 5 1/2 H X 14 W |

Flush Mount



Soleil

# Flush Mount

## Schoolhouse

INC-



5361F-BN-SO



5361F-OB-ST

| 5361F | Finish  | Glass                                 | Lamping                        | Dimensions      |
|-------|---|---------------------------------------|--------------------------------|-----------------|
|       | Brushed Nickel (BN)<br>Polished Nickel (PN)<br>Oil Rubbed Bronze (OB) | Shiny Opal (SO)<br>Stepped Glass (ST) | Incandescent 1-100 Watt Edison | 10 1/4 H X 10 W |



Taylor

Flush Mount

INC—



5376-PN-MO

| 5376 | Finish                                      | Glass           | Lamping                              | Dimensions                |
|------|---|-----------------|--------------------------------------|---------------------------|
|      | Brushed Nickel (BN)<br>Polished Nickel (PN) | Matte Opal (MO) | Incandescent 2-60 Watt<br>Candelabra | 6 1/4 H X 12 1/2 W square |

# Flush Mount

Mercer  
Timeless flush mount

INC



5371-BN-FL

| 5371 | Finish               | Glass             | Lamping                | Dimensions | Canopy |
|------|----------------------|-------------------|------------------------|------------|--------|
|      | Brushed Nickel (BN)  | Flare (FL)        | Incandescent 1-75 Watt | 9 H X 5 W  | 5      |
|      | Polished Nickel (PN) | 6 1/2 H X 4 3/4 W | Edison G Bulb          |            |        |

# Birmingham

## Flush Mount

INC



8121F-CH-SQ



8121F-BN-PY



Birmingham Sconces  
Page: 96

| 8121F | Finish                             | Glass   | Lamping                       | Dimensions        | Canopy |
|-------|------------------------------------|---|-------------------------------|-------------------|--------|
|       | Brushed Nickel (BN)<br>Chrome (CH) | Square (SQ)<br>4 1/2 H X 4 1/2 W<br>Pyramid (PY)<br>4 H X 5 W | Incandescent 1-75 Watt Edison | 8 1/2 H X 4 1/2 W | 4 1/2  |

# Flush Mount

## Convertible

Norwell takes great pride in offering classic designs that have prevailed for generations. This classic fixture can be installed as either a flush mount or pendant.

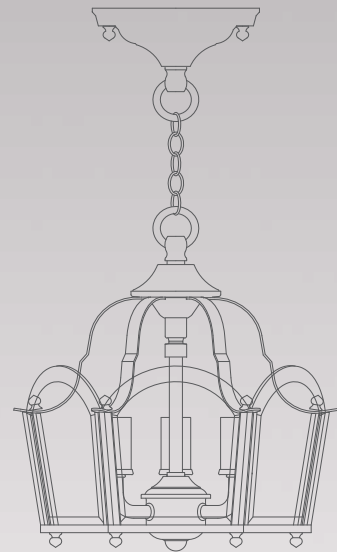
INC-



5870/6270-BN-BE



5870/6270-PB-BE



Can be installed on a 36" chain (supplied)

| 5870/6270 | Finish                                     | Glass        | Lamping                              | Dimensions      |
|-----------|--|--------------|--------------------------------------|-----------------|
|           | Brushed Nickel (BN)<br>Polished Brass (PB) | Beveled (BE) | Incandescent 3-60 Watt<br>Candelabra | 13 H X 10 1/2 W |



Flush Mount



# Pendants



Norwell's collection of pendant lights encompass all styles and tastes, from sleek and modern to grand and traditional. The pendants coordinate beautifully with Norwell sconces to create a chic, uniform look throughout the home.



Cage Small  
Page 156-161

Norwell

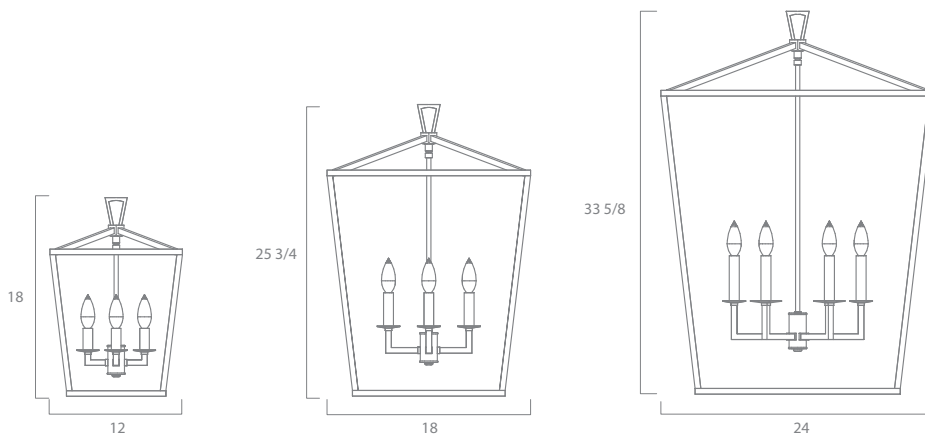


# Pendants

INC—



1080-PN  
Small



## Cage

| 1080 Small | Finish  | Diffuser | Lamping                           | Dimensions                            |
|------------|---|----------|-----------------------------------|---------------------------------------|
|            | Matte Black (MB)<br>Polished Nickel (PN)<br>Powder Coat Bronze (BR) | None     | Incandescent 4-60 Watt Candelabra | 18 H X 12 W<br>Provided with 6' chain |



## Cage

Add old world charm to any interior with the Cage family. These lantern style pendants are available in choice of sizes and metal finishes.

INC



1081-MB  
Medium

Custom Sizes Available

| 1081 Medium | Finish  | Diffuser | Lamping                           | Dimensions                                |
|-------------|---|----------|-----------------------------------|---|
|             | Matte Black (MB)<br>Polished Nickel (PN)<br>Powder Coat Bronze (BR) | None     | Incandescent 4-60 Watt Candelabra | 25 3/4 H X 18 W<br>Provided with 6' chain |

# Pendants

INC-



1082-MB  
Large

Custom Sizes Available

| 1082 Large | Finish  | Diffuser | Lamping                           | Dimensions                                |
|------------|---|----------|-----------------------------------|---|
|            | Matte Black (MB)<br>Polished Nickel (PN)<br>Powder Coat Bronze (BR) | None     | Incandescent 6-60 Watt Candelabra | 33 5/8 H X 24 W<br>Provided with 6' chain |

Cage

Norwell | Lighting

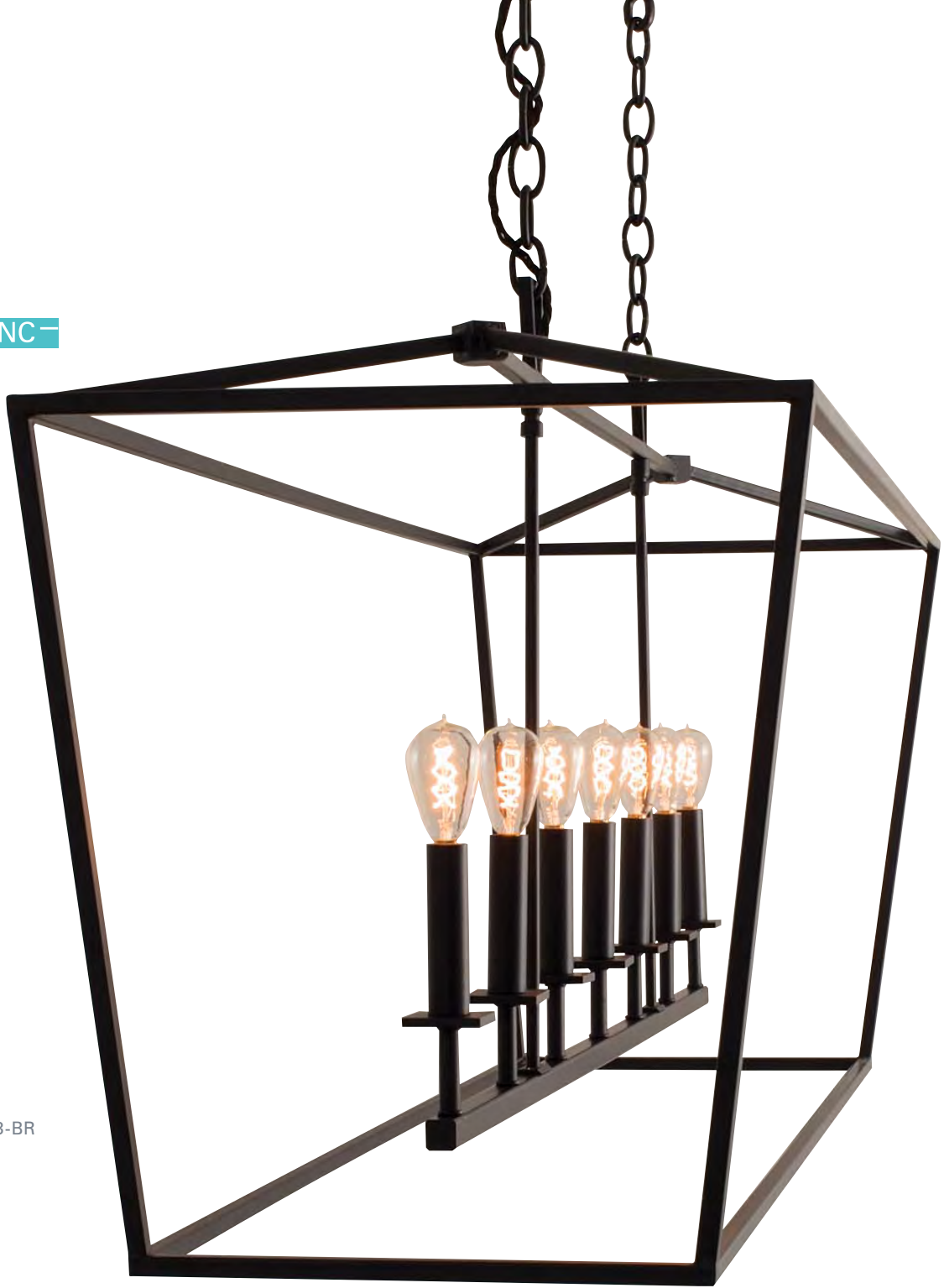
Cage

1081-MB  
Medium



# Pendants

INC-



1083-BR

## Cage

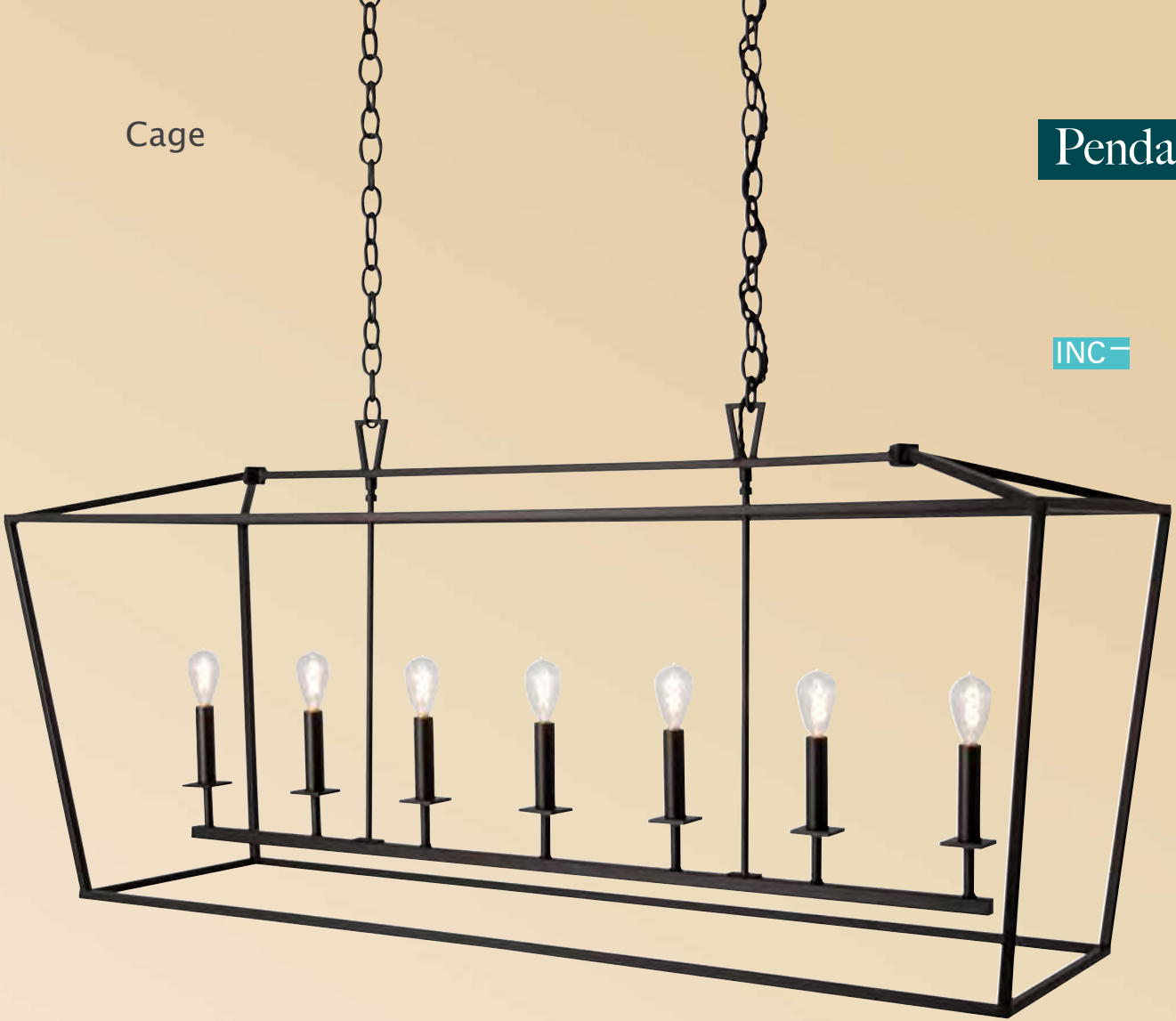
| 1083 Linear | Finish  | Diffuser | Lamping                              | Dimensions                                       |
|-------------|---|----------|--------------------------------------|--|
|             | Matte Black (MB)<br>Polished Nickel (PN)<br>Powder Coat Bronze (BR) | None     | Incandescent 7-60 Watt<br>Candelabra | 25 5/8 H X 18 W X 54 L<br>Provided with 6' chain |



Cage

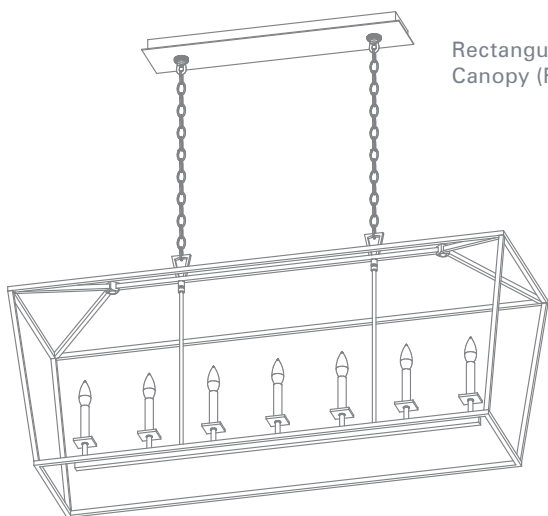
# Pendants

INC

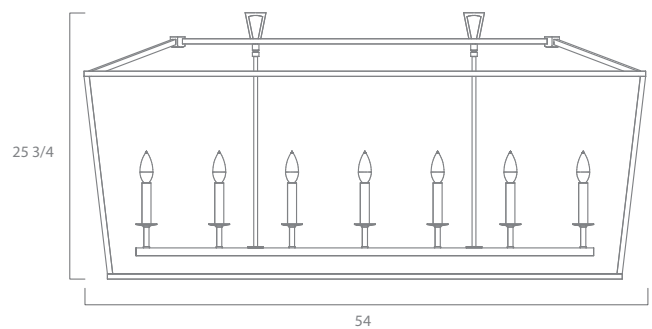


1083-BR

Custom Sizes Available



Rectangular  
Canopy (RT)



# Pendants





## Kimberly

This new Kimberly adds a stylish pendant to complement the Kimberly sconce.

## Pendants

INC-



8971-BN-CL

Kimberly Sconces  
Page: 21



| 8971 | Finish                                      | Glass  | Lamping                          | Dimensions                               |
|------|---|--|----------------------------------|--|
|      | Brushed Nickel (BN)<br>Polished Nickel (PN) | Clear Outer Glass /<br>White Inner Glass (CL)<br>6 1/2 H X 4 W | Incandescent 5-60 Watt<br>Edison | 15 1/4 H X 27 W<br>Overall Height 50 3/4 |

# Pendants

## Metallique Drum

The magnified curves of this 18 inch drum are reminiscent of old world character. This unique drum is offered in burnished bronze.

INC—



5640-BB-MS

| 5640 | Finish                | Drum Shade       | Bottom Diffuser     | Lamping                       | Dimensions                           | Canopy |
|------|-----------------------|------------------|---------------------|-------------------------------|--------------------------------------|--------|
|      | Burnished Bronze (BB) | Metal 8 H X 18 W | Matte White Acrylic | Incandescent 4-75 Watt Edison | 18 H X 24 3/8 W<br>Overall Height 60 | 5 1/2  |



Avery

Pendants

INC



1086-BR-NG

1085-BR-NG

| 1086 - small | Finish      | Lamping                         | Dimensions                              | Canopy |
|--------------|-------------|---------------------------------|---|--------|
|              | Bronze (BR) | Incandescent 1-100 Watt Edison* | 5 1/4 H X 12 W<br>Overall Height 77 3/4 | 5      |
| 1085 - large | Finish      | Lamping                         | Dimensions                              | Canopy |
|              | Bronze (BR) | Incandescent 1-100 Watt Edison* | 6 1/2 H X 18 W<br>Overall Height 79     | 5      |

\*products shown with 60 Watt antique filament bulbs

# Pendants

Roule 4 Arm

INC-



Roule 4 Light Chandelier  
5614-PN-WS



Roule Sconce  
Page: 102

| 5614 - 4 Light | Finish               | Shade             | Lamping                | Dimensions             | Canopy |
|----------------|----------------------|-------------------|------------------------|------------------------|--------|
|                | Brushed Nickel (BN)  | White Shade (WS)  | Incandescent 4-60 Watt | 23 1/4 H X 22 1/4 W    | 5 1/2  |
|                | Polished Nickel (PN) | 5 1/2 H X 5 1/4 W | Candelabra             | Provided with 6' chain |        |

## Roule Chandelier

The fluid chandelier is offered in a 4, 6 and 9 arm configuration. The chandeliers are elegantly complemented by a 1 light sconce with beveled mirrored backplate to perfectly complete your design aesthetic.

INC—



Roule  
Chandelier

# Pendants

Roule 9 Arm

INC-



Roule Sconce  
Page: 102

Roule 9 Light Chandelier  
5619-BN-WS



| 5619 - 9 Light | Finish               | Shade             | Lamping                | Dimensions             | Canopy |
|----------------|----------------------|-------------------|------------------------|------------------------|--------|
|                | Brushed Nickel (BN)  | White Shade (WS)  | Incandescent 9-60 Watt | 27 1/4 H X 35 1/4 W    | 5 1/2  |
|                | Polished Nickel (PN) | 5 1/2 H X 5 1/4 W | Candelabra             | Provided with 6' chain |        |



Roule 6 Arm

Pendants

INC-



Roule 6 Light Chandelier  
5616-BN-WS

| 5616 - 6 Light | Finish               | Shade             | Lamping                | Dimensions             | Canopy |
|----------------|----------------------|-------------------|------------------------|------------------------|--------|
|                | Brushed Nickel (BN)  | White Shade (WS)  | Incandescent 6-60 Watt | 27 1/4 H X 28 1/4 W    | 5 1/2  |
|                | Polished Nickel (PN) | 5 1/2 H X 5 1/4 W | Candelabra             | Provided with 6' chain |        |

# Pendants

INC-



9677-PN-WS



9677-AG-WS

Maya 4 Arm Drum

# Maya 4 Arm Drum

## Pendants

INC-



9677-PN-WS

| 9677 | Finish   | Shade                           | Lamping                       | Dimensions                            | Canopy |
|------|--|---------------------------------|-------------------------------|---------------------------------------|--------|
|      | Aged Brass (AG)<br>Brushed Nickel (BN)<br>Polished Nickel (PN) | White Shade (WS)<br>10 H X 20 W | Incandescent 4-60 Watt Edison | 22 H X 20 W<br>Provided with 6' chain | 4 3/4  |

# Pendants

9676-AG-WS

INC-



Maya 6 Arm Chandelier

Maya Sconce  
Page: 116-119



# Maya 6 Arm Chandelier

## Pendants

INC-



9676-BN-WS

| 9676 | Finish   | Shade                             | Lamping                       | Dimensions                            | Canopy |
|------|--|-----------------------------------|-------------------------------|---------------------------------------|--------|
|      | Aged Brass (AG)<br>Brushed Nickel (BN)<br>Polished Nickel (PN) | White Shade (WS)<br>5 H X 6 1/4 W | Incandescent 6-60 Watt Edison | 24 H X 30 W<br>Provided with 6' chain | 4 3/4  |

# Outdoor



Originally founded as an outdoor lighting company more than 75 years ago, Norwell still prides itself on its outdoor expertise today. Norwell's beautiful, yet durable, outdoor lights are designed to withstand the elements and are now available as LED for a longer lasting light.



Weymouth  
Pages180-183

LED-

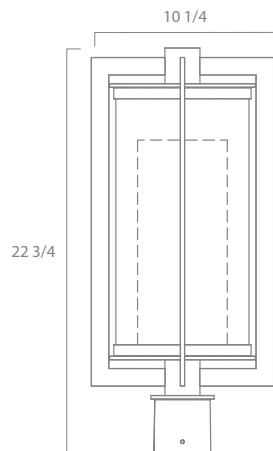
# Norwell

# Outdoor

LED



Post  
1183-BR-CL



North

Norwell | Lighting

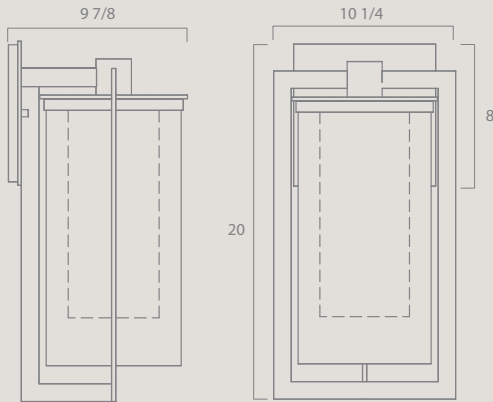


# North

A complete LED series of outdoor lighting inspired by Pacific Northwest modernism.

Outdoor

LED-



Large Wall  
1182-BR-CL

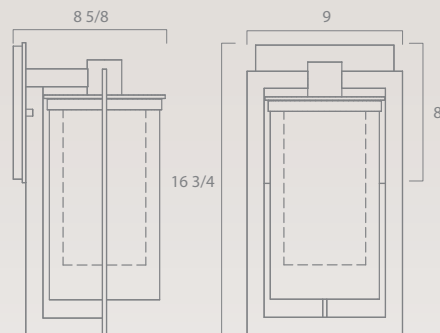
| 1182 - Large Wall | Finish      | Glass   | Lamping             | Dimensions                     | Projection |
|-------------------|-------------|---|---------------------|--------------------------------|------------|
|                   | Bronze (BR) | Shiny White Inner Glass<br>Clear Outer Class (CL) | LED 800lm 3000K CCT | 20 H X 10 1/4 W<br>Backplate 8 | 9 7/8      |
| 1183 - Post       |             |   |                     |                                |            |
|                   | Bronze (BR) | Shiny White Inner Glass<br>Clear Outer Class (CL) | LED 800lm 3000K CCT | 23 3/4 H X 10 1/4 W            |            |

# Outdoor

LED



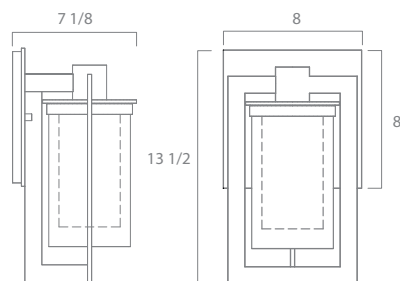
Medium Wall  
1181-BR-CL



North

LED-

Small Wall  
1180-BR-CL



| 1180 - Small Wall  | Finish      | Glass   | Lamping             | Dimensions                    | Projection |
|--------------------|-------------|---|---------------------|-------------------------------|------------|
|                    | Bronze (BR) | Shiny White Inner Glass<br>Clear Outer Class (CL) | LED 800lm 3000K CCT | 13 1/2 H X 8 W<br>Backplate 8 | 7 1/8      |
| 1181 - Medium Wall |             |   |                     |                               |            |
|                    | Bronze (BR) | Shiny White Inner Glass<br>Clear Outer Class (CL) | LED 800lm 3000K CCT | 16 3/4 H X 9 W<br>Backplate 8 | 8 5/8      |

# Outdoor



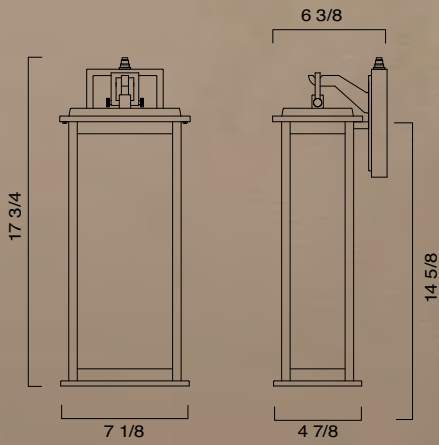
Weymouth



LED-



Large Wall  
1071-GM-WG



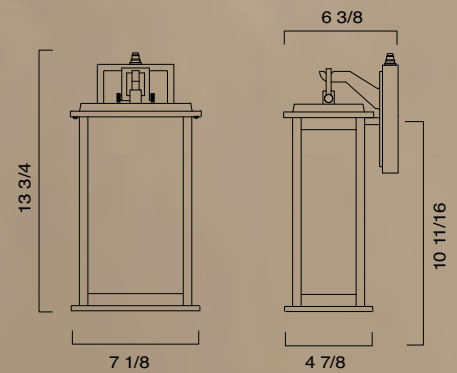
| 1071 - Large Wall | Finish         | Glass            | Lamping                              | Dimensions                                    | Projection |
|-------------------|----------------|------------------|--------------------------------------|---|------------|
|                   | Gun Metal (GM) | Water Glass (WG) | LED 450lm 3000K CCT with photosensor | 17 3/4 H X 7 1/8 W<br>Backplate 6 H X 4 1/4 W | 6 3/8      |

# Outdoor

LED-



Small Wall  
1070-GM-WG



| 1070 - Small Wall | Finish         | Glass            | Lamping                              | Dimensions  | Projection |
|-------------------|----------------|------------------|--------------------------------------|---|------------|
|                   | Gun Metal (GM) | Water Glass (WG) | LED 450lm 3000K CCT with photosensor | 13 3/4 H X 7 1/8 W X 4 7/8 D<br>Backplate 6 H X 4 1/4 W | 6 3/8      |
| 1072 - Post       |                |                  |                                      |   |            |
|                   | Gun Metal (GM) | Water Glass (WG) | LED 450lm 3000K CCT with photosensor | 13 1/2 H X 7 1/8 W X 3 1/4 D<br>Backplate 6 H X 4 1/4 W |            |

Weymouth

Norwell | Lighting

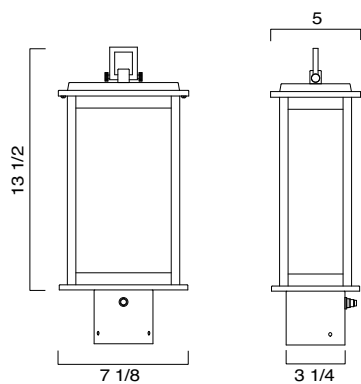
Weymouth

Outdoor

LED-



Post  
1072-GM-WG



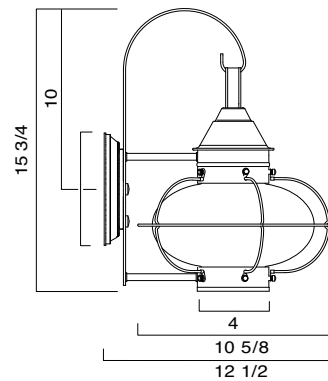
# Outdoor

INC-



Cottage Medium Wall  
1324-BL-CL

Cottage Post  
1321-BL-CL



Cottage  
Onion



## Cottage Onion

Our best priced Cottage onion features a charming round back plate in a slightly smaller format. Two sizes of wall mounts and one post mount are offered.

Outdoor

INC-



Cottage Medium Wall  
1324-BR-CL

| 1324 - Medium Wall | Finish                    | Glass      | Lamping                        | Dimensions                             | Projection | TTO |
|--------------------|---------------------------|------------|--------------------------------|--|------------|-----|
|                    | Black (BL)<br>Bronze (BR) | Clear (CL) | Incandescent 1-100 Watt Edison | 15 3/4 H X 10 5/8 W<br>Backplate 6 1/4 | 12 1/2     | 10  |
| 1321 - Post        |                           |            |                                |  |            |     |
|                    | Black (BL)<br>Bronze (BR) | Clear (CL) | Incandescent 1-100 Watt Edison | 14 5/8 H X 10 5/8 W                    |            |     |

# Outdoor

## Cottage Onion

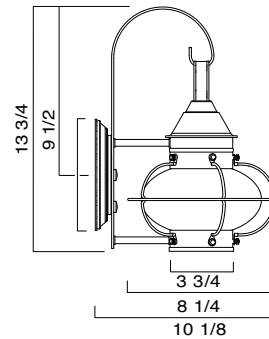
INC-



Cottage Medium Wall  
1324-BL-CL



Cottage Small Wall  
1323-BL-CL



| 1323 - Small Wall  | Finish                    | Glass      | Lamping                        | Dimensions                             | Projection | TTO   |
|--------------------|---------------------------|------------|--------------------------------|--|------------|-------|
|                    | Black (BL)<br>Bronze (BR) | Clear (CL) | Incandescent 1-100 Watt Edison | 13 3/4 H X 8 1/4 W<br>Backplate 6 1/4  | 10 1/8     | 9 1/2 |
| 1324 - Medium Wall |                           |            |                                |  |            |       |
|                    | Black (BL)<br>Bronze (BR) | Clear (CL) | Incandescent 1-100 Watt Edison | 15 3/4 H X 10 5/8 W<br>Backplate 6 1/4 | 12 1/2     | 10    |
| 1321 - Post        |                           |            |                                |  |            |       |
|                    | Black (BL)<br>Bronze (BR) | Clear (CL) | Incandescent 1-100 Watt Edison | 14 5/8 H X 10 5/8 W                    |            |       |

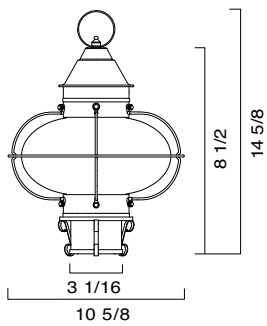
INC-



Cottage Small Wall  
1323-BR-CL



Cottage Post  
1321-BR-CL



Cottage Onion

# Outdoor

## Vidalia Onion Copper

INC



Vidalia Large Wall  
1609-CO-PR



Vidalia Medium Wall  
1612-CO-SE

| 1609 - Large Wall         | Finish  | Glass                                    | Lamping                           | Dimensions  | Projection | TTO    |
|---------------------------|---|--|-----------------------------------|---|------------|--------|
|                           | Copper (CO), Black (BL),<br>Gun Metal (GM), Sienna (SI) | Clear (CL), Prismatic (PR)<br>Seedy (SE) | Incandescent 1-100 Watt<br>Edison | 25 H X 14 W<br>Backplate 10 3/8 H X 6 1/2 W       | 16 3/4     | 18     |
| <b>1612 - Medium Wall</b> |   |  |                                   |   |            |        |
|                           | Copper (CO), Black (BL),<br>Gun Metal (GM), Sienna (SI) | Clear (CL), Prismatic (PR)<br>Seedy (SE) | Incandescent 1-100 Watt<br>Edison | 21 H X 11 1/2 W<br>Backplate 7 3/4 H X 5 3/4 W    | 13 1/2     | 13 1/4 |
| <b>1613 - Small Wall</b>  |   |  |                                   |   |            |        |
|                           | Copper (CO), Black (BL),<br>Gun Metal (GM), Sienna (SI) | Clear (CL), Prismatic (PR)<br>Seedy (SE) | Incandescent 1-100 Watt<br>Edison | 17 3/4 H X 8 3/4 W<br>Backplate 6 3/4 H X 4 3/4 W | 10         | 13 1/4 |
| <b>1611 - Post</b>        |   |  |                                   |   |            |        |
|                           | Copper (CO), Black (BL),<br>Gun Metal (GM), Sienna (SI) | Clear (CL), Prismatic (PR)<br>Seedy (SE) | Incandescent 1-100 Watt<br>Edison | 18 3/4 H X 11 1/2 W                               |            |        |



## Vidalia Onion Copper

This Vidalia Onion is enhanced by the beauty and unique properties of copper. Copper is highly resistant to the forces of nature and will never rust or corrode. Therefore, selecting a copper onion for outdoor lighting is one of the best choices you can make. Our Copper Vidalia is offered as a "living finish". Over the years the copper will oxidize to a rich, natural verdigris.

★ USA MADE

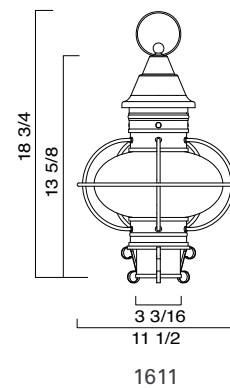
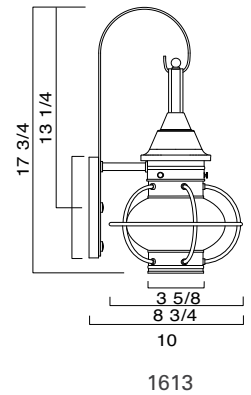
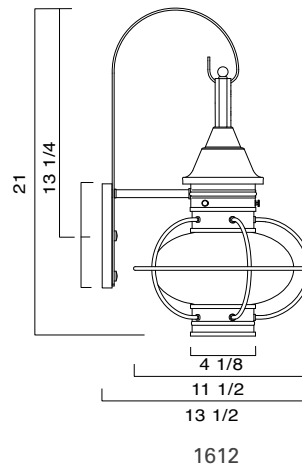
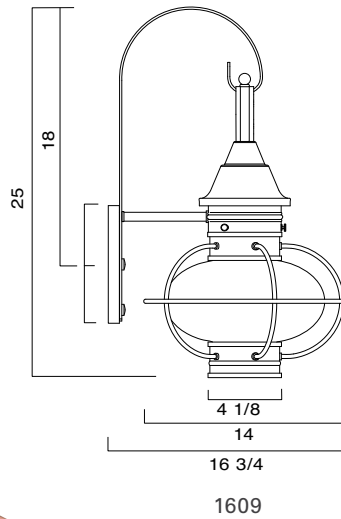


Vidalia Small Wall  
1613-CO-CL

INC



Vidalia Post  
1611-CO-PR

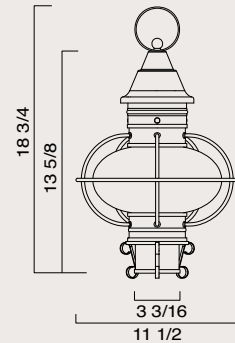


# Outdoor

INC



Vidalia Post  
1611-BL-PR



| 1611 - Post | Finish  | Glass                                      | Lamping                           | Dimensions          |
|-------------|---|--|-----------------------------------|---------------------|
|             | Copper (CO), Black (BL),<br>Gun Metal (GM), Sienna (SI) | Clear (CL)<br>Prismatic (PR)<br>Seedy (SE) | Incandescent 1-100 Watt<br>Edison | 18 3/4 H X 11 1/2 W |

## Vidalia Onion

## Vidalia Onion

The Vidalia, Norwell's finest hand-crafted onion, is made of heavy gauge brass with a sturdy protective frame that shields your glass of choice: Clear, Seedy, or Prismatic. Norwell's quintessential lantern is offered in many sizes and styles and is available in a range of beautiful hand-dipped, living finishes.

INC



Vidalia Medium  
1612-BL-CL

Vidalia Large  
1609-SI-CL

| 1609 - Large Wall  | Finish  | Glass                                      | Lamping                           | Dimensions                                     | Projection | TTO    |
|--------------------|---|--|-----------------------------------|--|------------|--------|
|                    | Copper (CO), Black (BL),<br>Gun Metal (GM), Sienna (SI) | Clear (CL)<br>Prismatic (PR)<br>Seedy (SE) | Incandescent 1-100 Watt<br>Edison | 25 H X 14 W<br>Backplate 10 3/8 H X 6 1/2 W    | 16 3/4     | 18     |
| 1612 - Medium Wall |   |  |                                   |  |            |        |
|                    | Copper (CO), Black (BL),<br>Gun Metal (GM), Sienna (SI) | Clear (CL)<br>Prismatic (PR)<br>Seedy (SE) | Incandescent 1-100 Watt<br>Edison | 21 H X 11 1/2 W<br>Backplate 7 3/4 H X 5 3/4 W | 13 1/2     | 13 1/4 |



# Outdoor



Classic Onion



## Classic Onion

The Classic Onion, crafted of solid brass, continues the Norwell tradition of providing beautifully designed fixtures of remarkable value. When an Onion product leaves any of our factories, it has been created with unparalleled attention to detail and hand-crafted with pride.

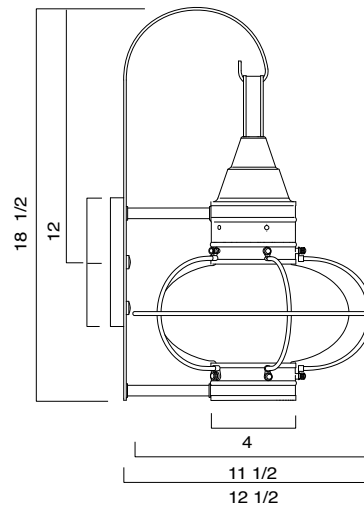
INC



Classic Medium Wall  
1512-BR-CL



Classic Medium Wall  
1512-BR-SE



| 1512 - Medium Wall | Finish                                      | Glass                    | Lamping                        | Dimensions                                     | Projection | TTO |
|--------------------|---|--------------------------|--------------------------------|--|------------|-----|
|                    | Black (BL)<br>Bronze (BR)<br>Gun Metal (GM) | Clear (CL)<br>Seedy (SE) | Incandescent 1-100 Watt Edison | 18 1/2 H X 11 1/2 W<br>Backplate 6 H X 4 3/8 W | 12 1/2     | 12  |

# Outdoor

INC-



Classic Medium Wall  
1512-GM-SE



Classic Medium Wall  
1512-BR-SE



Classic Medium Wall  
1512-BL-SE



Classic Medium Wall  
1512-BL-CL

## Classic Onion

# Classic Onion

Outdoor

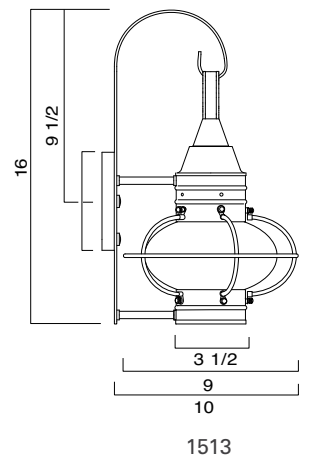
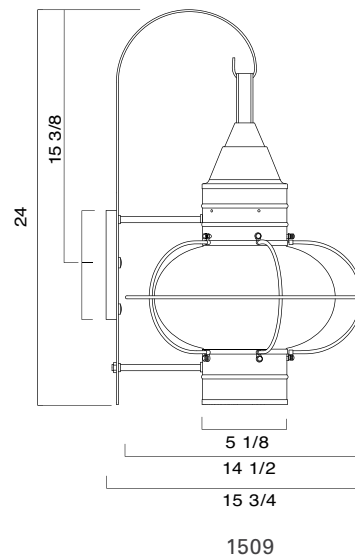
INC



Classic Large Wall



Classic Small Wall



| 1509 - Large  | Finish                                      | Glass                    | Lamping                        | Dimensions                                     | Projection | TTO    |
|---------------|---|--------------------------|--------------------------------|--|------------|--------|
|               | Black (BL)<br>Bronze (BR)<br>Gun Metal (GM) | Clear (CL)<br>Seedy (SE) | Incandescent 1-100 Watt Edison | 24 H X 14 1/2 W<br>Backplate 6 5/8 H X 5 7/8 W | 15 3/4     | 15 3/8 |
| 1512 - Medium | Black (BL)<br>Bronze (BR)<br>Gun Metal (GM) | Clear (CL)<br>Seedy (SE) | Incandescent 1-100 Watt Edison | 18 1/2 H X 11 1/2 W<br>Backplate 6 H X 4 3/8 W | 12 1/2     | 12     |
| 1513 - Small  | Black (BL)<br>Bronze (BR)<br>Gun Metal (GM) | Clear (CL)<br>Seedy (SE) | Incandescent 1-100 Watt Edison | 16 H X 9 W<br>Backplate 5 H X 4 W              | 10         | 9 1/2  |

# Outdoor

INC



Classic Large Post  
1510-BR-CL

## Classic Onion

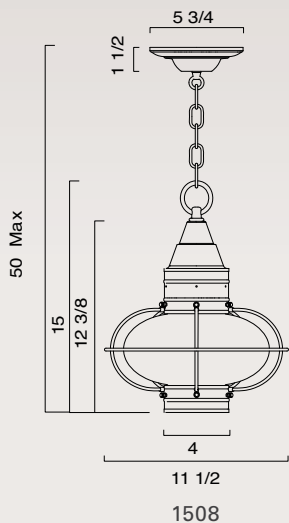
| 1510 - Large Post  | Finish                                    | Glass                    | Lamping                        | Dimensions                       |
|--------------------|---|--------------------------|--------------------------------|----------------------------------|
|                    | Black (BL), Bronze (BR)<br>Gun Metal (GM) | Clear (CL)<br>Seedy (SE) | Incandescent 1-100 Watt Edison | 22 1/2 H X 14 1/2 W              |
| 1511 - Medium Post |   |                          |                                |                                  |
|                    | Black (BL), Bronze (BR)<br>Gun Metal (GM) | Clear (CL)<br>Seedy (SE) | Incandescent 1-100 Watt Edison | 17 1/2 H X 11 1/2 W              |
| 1508 - Ceiling     |   |                          |                                |                                  |
|                    | Black (BL), Bronze (BR)<br>Gun Metal (GM) | Clear (CL)<br>Seedy (SE) | Incandescent 1-100 Watt Edison | 15 H X 11 1/2 W<br>50 Max Height |



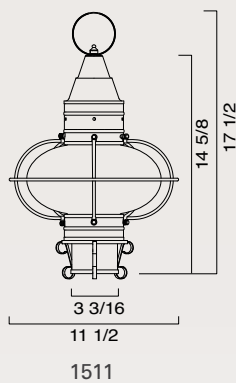
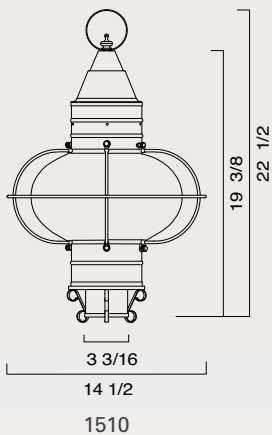
Classic Onion

Outdoor

INC-



Classic Ceiling  
 1508-BL-CL



Classic Large Post  
 1510-BL-CL

# Outdoor

## Onion Collection



Cottage

1324-BL-CL



Vidalia

1612-CO-SE

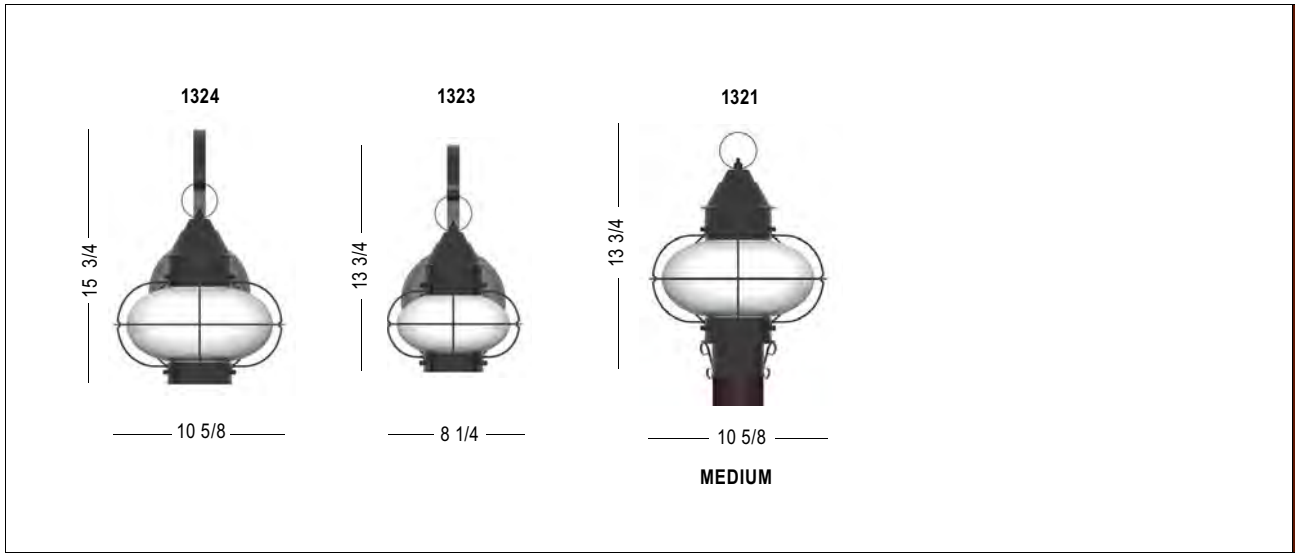


Classic

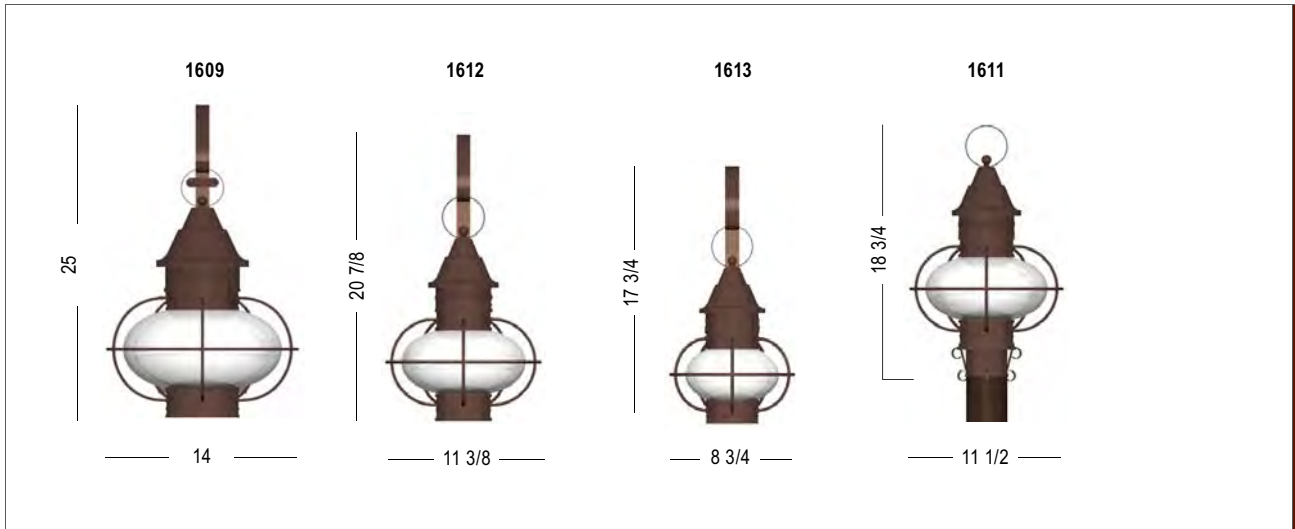
1512-BR-SE

# Onion Collection at a Glance

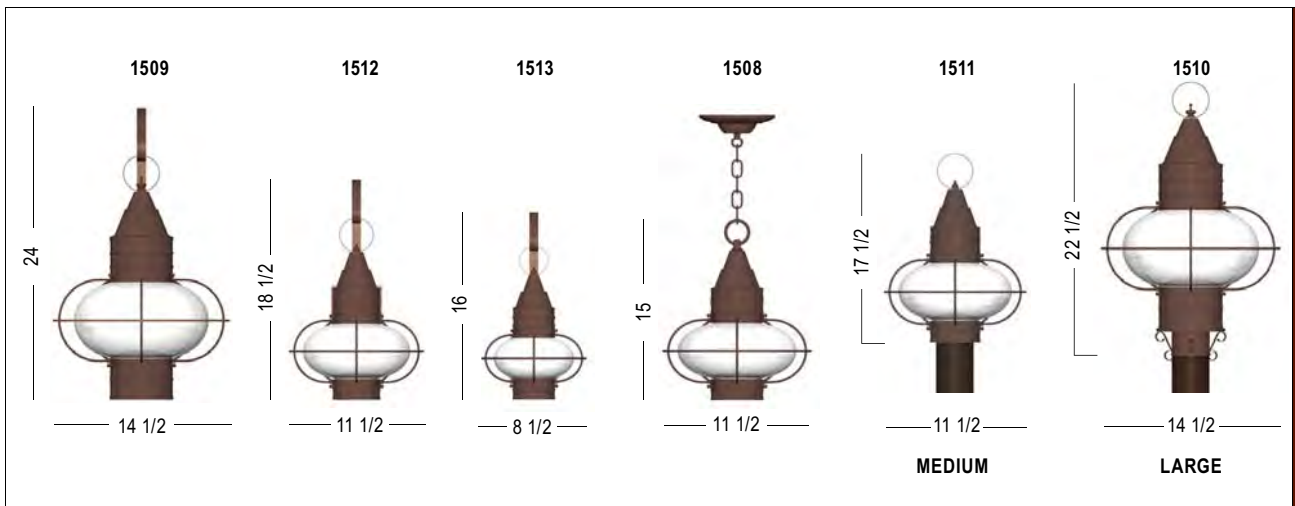
Outdoor



Cottage Onion



Vidalia Onion



Classic Onion

# Outdoor

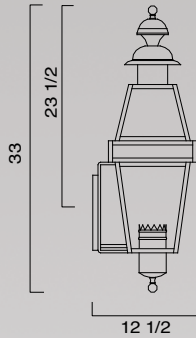
## Beacon

The Beacon welcomes visitors to your home or business with its refined structure and commanding scale. Norwell's premier lantern is available in two sizes, hand-crafted with meticulous attention to detail. A clear and seedy glass pane design allow background landscape to remain visible.

INC-



Wall  
2283-BL-CL/SE



| 2283 - Wall         | Finish     | Glass               | Lamping                           | Dimensions                                     | Projection | TTO    |
|---------------------|------------|---------------------|-----------------------------------|--|------------|--------|
|                     | Black (BL) | Clear/Seedy (CL/SE) | Incandescent 1-100<br>Watt Edison | 33 H X 10 3/4 W<br>Backplate 9 1/8 H X 4 5/8 W | 12 1/2     | 23 1/2 |
| 2282C - Medium Post |            |                     |                                   |  |            |        |
|                     | Black (BL) | Clear/Seedy (CL/SE) | Incandescent 1-100<br>Watt Edison | 33 H X 11 1/2 W                                |            |        |
| 2280C - Large Post  |            |                     |                                   |  |            |        |
|                     | Black (BL) | Clear/Seedy (CL/SE) | Incandescent 1-100<br>Watt Edison | 38 H X 12 1/2 W                                |            |        |



INC

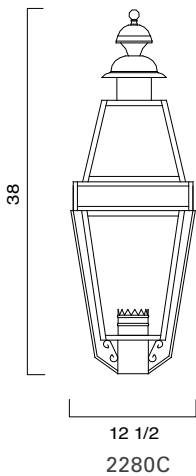
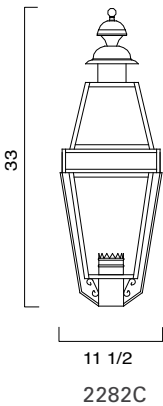
★ USA MADE



Medium Post  
2282C-BL-CL/SE



Large Post  
2280C-BL-CL/SE



Beacon

# Outdoor

## Budapest

The industrial aesthetic of the Budapest is used in a variety of spaces. A Norwell customer favorite this outdoor sponce is selected for interior use as well.

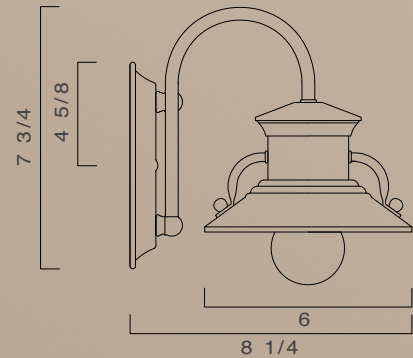
INC—



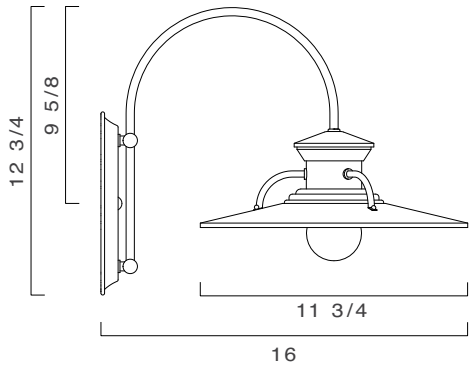
Small Wall  
5153-CO-NG



Small Wall  
5153-GA-NG



| 5153 - Small Wall | Finish                         | Glass         | Lamping                       | Dimensions                          | Projection | TTO   |
|-------------------|--------------------------------|---------------|-------------------------------|-------------------------------------|------------|-------|
|                   | Copper (CO)<br>Galvanized (GA) | No Glass (NG) | Incandescent 1-60 Watt Edison | 7 3/4 H X 6 W<br>Backplate 6 dia.   | 8 1/4      | 4 5/8 |
| 5155 - Large Wall |                                |               |                               |                                     |            |       |
|                   | Copper (CO)<br>Galvanized (GA) | No Glass (NG) | Incandescent 1-60 Watt Edison | 12 3/4 H X 12 W<br>Backplate 8 dia. | 16         | 9 5/8 |



INC-



Large Wall  
5155-CO-NG



Large Wall  
5155-GA-NG

Budapest



# Outdoor

## Compton

Compton's industrial style form utilizes European castings.

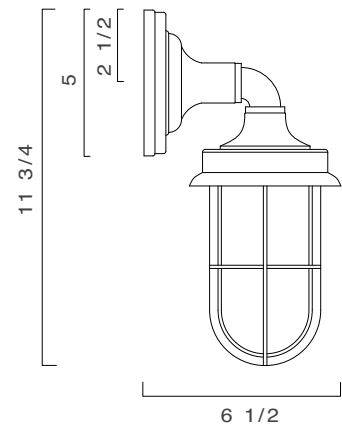
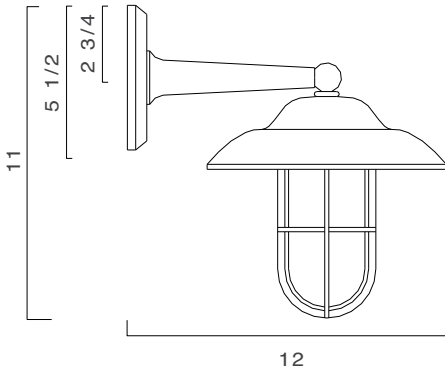
INC-



1426-GM-SO



1425-CH-SO



| 1426 | Finish                             | Glass           | Lamping                       | Dimensions                    | Projection | TTO   |
|------|------------------------------------|-----------------|-------------------------------|-------------------------------|------------|-------|
|      | Gun Metal (GM)<br>Bronze (BR)      | Shiny Opal (SO) | Incandescent 1-75 Watt Edison | 11 H X 9 W<br>Backplate 5 1/2 | 12         | 2 3/4 |
| 1425 | Chrome (CH)<br>Brushed Chrome (BC) | Shiny Opal (SO) | Incandescent 1-75 Watt Edison | 11 3/4 H X 5 W<br>Backplate 5 | 6 1/2      | 2 1/2 |



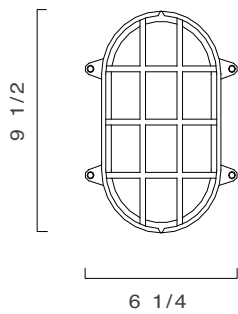
## Mariner

The Mariner is a classic nautical design intended for the wall or ceiling originally designed to weather the wind blown sea and salt of coastal areas. Norwell's European brass cast fixtures maintain their finishes for decades to come and are offered in chrome and bronze.

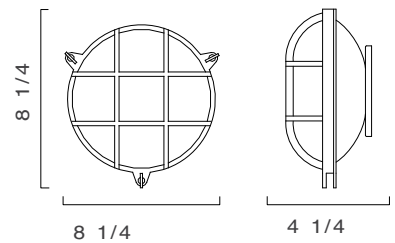
INC



Oval  
1101-CH-FR



Circular  
1102-BR-FR



| Model           | Finish      | Glass        | Lamping                                    | Dimensions                                       | Projection |
|-----------------|-------------|--------------|--|--|------------|
| 1101 - Oval     | Bronze (BR) | Frosted (FR) | Incandescent 1-60 Watt T-10 Edison         | 9 1/2 H X 6 1/4 W<br>Backplate 4 1/2 H X 3 1/4 W | 4 1/4      |
|                 | Chrome (CH) |              |  |  |            |
| 1102 - Circular | Bronze (BR) | Frosted (FR) | Incandescent 1-60 Watt Edison Torpedo Bulb | 8 1/4 Diameter<br>Backplate 4 1/2 H X 3 1/4 W    | 4 1/2      |
|                 | Chrome (CH) |              |  |  |            |

# Outdoor

## Port

Die-cast aluminum body

CFL



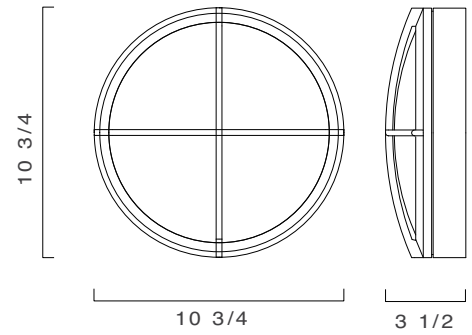
1428-BL-FR



Wall Mount or Ceiling Mount



1428-BA-FR



| 1428 | Finish                | Glass        | Lamping                        | Dimensions      |
|------|-----------------------|--------------|--------------------------------|-----------------|
|      | Black (BL)            | Frosted (FR) | Fluorescent 1-26 Watt CFL CFTR | 10 3/4 Diameter |
|      | Brushed Aluminum (BA) |              |                                | 3 1/2 H         |

# Seafarer

“They that go down to the sea in ships” will likely be accompanied by a classic nautical lantern such as the Seafarer. Originally designed to protect oil and flame, this modern version will withstand many a storm.

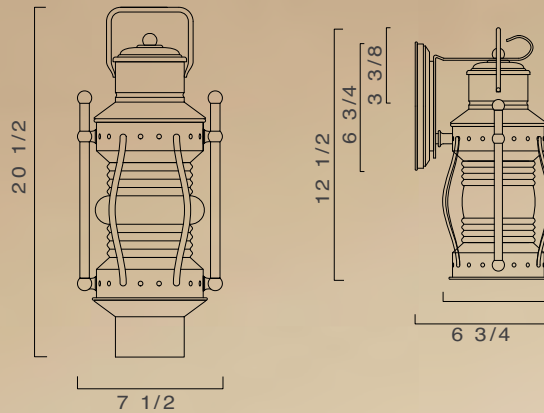
INC-



Wall Large  
1105-BR-CL



Post  
1107-BR-CL



Small Wall  
1108-BR-CL

| 1107 - Post       | Finish      | Glass      | Lamping                       | Dimensions                                 | Projection | TTO   |
|-------------------|-------------|------------|-------------------------------|--|------------|-------|
|                   | Bronze (BR) | Clear (CL) | Incandescent 1-75 Watt Edison | 20 1/2 H X 7 1/2 W                         |            |       |
| 1105 - Large Wall |             |            |                               |  |            |       |
|                   | Bronze (BR) | Clear (CL) | Incandescent 1-75 Watt Edison | 16 H X 7 1/2 W<br>Backplate 7 1/2 Dia.     | 8 1/2      | 3 3/4 |
| 1108 - Small Wall |             |            |                               |  |            |       |
|                   | Bronze (BR) | Clear (CL) | Incandescent 1-75 Watt Edison | 12 1/2 H X 6 3/4 W<br>Backplate 6 3/4 Dia. | 6 3/4      | 3 3/8 |

# Outdoor

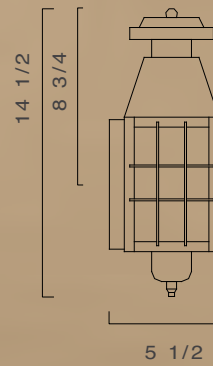
INC-



Large Wall  
1093-BL-CL



Small Wall  
1059-BL-CL



## American Heritage

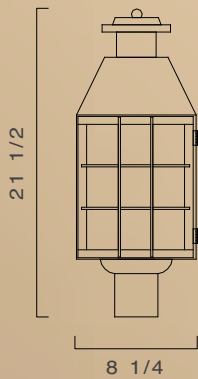
| 1093 - Large Wall | Finish                    | Glass                    | Lamping                          | Dimensions  | Projection | TTO    |
|-------------------|---------------------------|--------------------------|----------------------------------|---|------------|--------|
|                   | Black (BL)<br>Bronze (BR) | Clear (CL)<br>Seedy (SE) | Incandescent 2-60 Watt<br>Edison | 21 3/4 H X 8 3/4 W<br>Backplate 10H X 8 W         | 7          | 12 1/4 |
| 1059 - Small Wall |                           |                          |                                  |   |            |        |
|                   | Black (BL)<br>Bronze (BR) | Clear (CL)<br>Seedy (SE) | Incandescent 1-60 Watt<br>Edison | 14 1/2 H X 6 3/4 W<br>Backplate 6 1/2 H X 5 3/4 W | 5 1/2      | 8 3/4  |



## American Heritage

This Norwell classic outdoor lantern reflects the traditions and style of the early Colonies. Available in a selection of finishes, sizes, and glass, the solid brass construction, soldered grid work, and visible lamp, make for a historic focal point.

INC-



Post  
1056 - BL-CL

| 1056 - Post | Finish      | Glass      | Lamping                | Dimensions         |
|-------------|-------------|------------|------------------------|--------------------|
|             | Black (BL)  | Clear (CL) | Incandescent 3-40 Watt | 21 1/2 H X 8 1/4 W |
|             | Bronze (BR) | Seedy (SE) | Candelabra             |                    |

# Outdoor

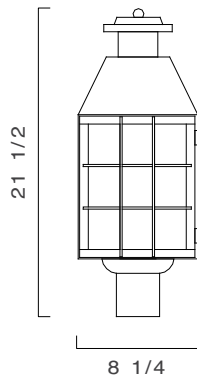
INC-



Post  
1056-BR-SE



Post  
1056 - BL-CL

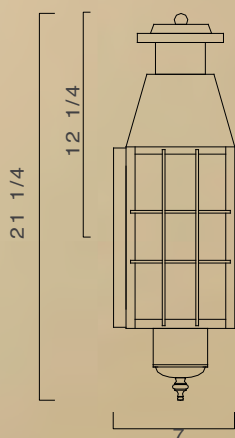


American Heritage

INC



Large Wall  
1093-BR-SE



| 1093 - Large Wall | Finish                    | Glass                    | Lamping                           | Dimensions                                | Projection | TTO    |
|-------------------|---------------------------|--------------------------|-----------------------------------|---|------------|--------|
|                   | Black (BL)<br>Bronze (BR) | Clear (CL)<br>Seedy (SE) | Incandescent 2-60 Watt Edison     | 21 3/4 H X 8 3/4 W<br>Backplate 10H X 8 W | 7          | 12 1/4 |
| 1056 - Post       |                           |                          |                                   |   |            |        |
|                   | Black (BL)<br>Bronze (BR) | Clear (CL)<br>Seedy (SE) | Incandescent 3-40 Watt Candelabra | 21 1/2 H X 8 1/2 W                        |            |        |

# Outdoor

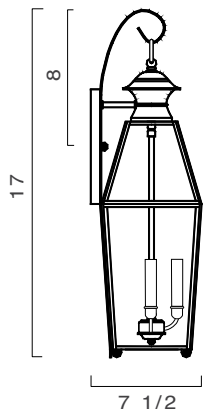
## Old Colony

Simply beautiful are the words to describe this minimal lantern that highlights the shape and glow of the candelabra lamp.

INC-



Medium Wall  
1066-BL-BE



| 1066 - Medium Wall | Finish                   | Glass        | Lamping                              | Dimensions                                | Projection | TTO |
|--------------------|--------------------------|--------------|--------------------------------------|---|------------|-----|
|                    | Black (BL)<br>Verde (VE) | Beveled (BE) | Incandescent 2-60 Watt<br>Candelabra | 17 H X 7 1/2 W<br>Backplate 7 3/4 H X 6 W | 6 3/4      | 8   |





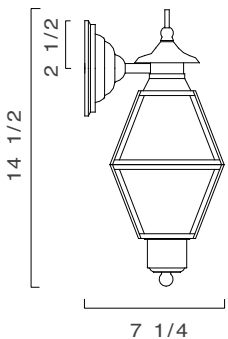
Old Colony



# Outdoor



Small Wall  
1063-BL-BE



| 1063 - Small Wall | Finish                   | Glass        | Lamping                              | Dimensions                                 | Projection | TTO   |
|-------------------|--------------------------|--------------|--------------------------------------|--|------------|-------|
|                   | Black (BL)<br>Verde (VE) | Beveled (BE) | Incandescent 2-40 Watt<br>Candelabra | 14 1/2 H X 7 1/2 W<br>Backplate 5          | 7 1/4      | 2 1/2 |
| 1067 - Large Wall |                          |              |                                      |  |            |       |
|                   | Black (BL)<br>Verde (VE) | Beveled (BE) | Incandescent 3-60 Watt<br>Candelabra | 27 H X 11 W<br>Backplate 9 3/8 H X 4 3/4 W | 8 3/4      | 11    |
| 1068 - Post       |                          |              |                                      |  |            |       |
|                   | Black (BL)<br>Verde (VE) | Beveled (BE) | Incandescent 3-60 Watt<br>Candelabra | 29 1/2 H X 11 W                            |            |       |

Old Colony

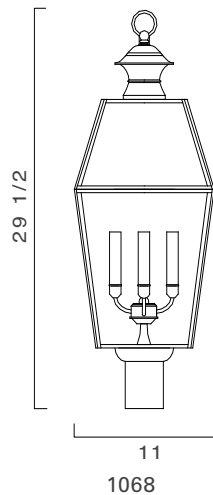
Norwell | Lighting

## Old Colony

Simply beautiful are the words to describe this minimal lantern that highlights the shape and glow of the candelabra lamp.



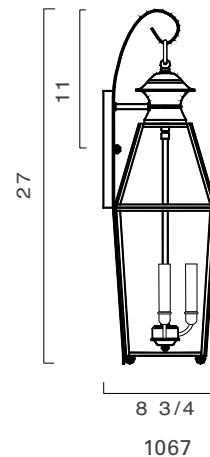
Post  
1068-BL-BE



## Outdoor

INC-

Wall Large  
1067-BL-BE



# Outdoor

Old Colony

INC-



Post  
1068-VE-BE

| 1068 - Post | Finish                   | Glass        | Lamping                           | Dimensions      |
|-------------|--------------------------|--------------|-----------------------------------|-----------------|
|             | Black (BL)<br>Verde (VE) | Beveled (BE) | Incandescent 3-60 Watt Candelabra | 29 1/2 H X 11 W |



INC



| 2253 - Wall | Finish      | Glass      | Lamping                       | Dimensions                                     | Projection | TTO |
|-------------|-------------|------------|-------------------------------|--|------------|-----|
|             | Cooper (CO) | Clear (CL) | Incandescent 1-60 Watt Edison | 22 H X 9 1/2 W<br>Backplate 13 1/4 H X 4 1/4 W | 11 1/2     | 14  |
| 2250 - Post |             |            |                               |  |            |     |
|             | Cooper (CO) | Clear (CL) | Incandescent 1-60 Watt Edison | 22 H X 10 1/2 W                                |            |     |

# Outdoor



Large Post  
2235-BL-CL



Medium Post  
2234-BL-CL

## Lexington

A simplified and smaller version of the popular Beacon lantern, the Lexington conveys a historic reference to early America.

Outdoor












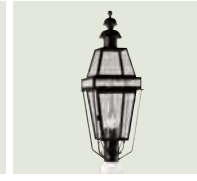



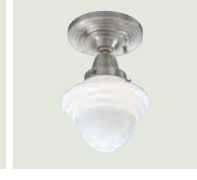
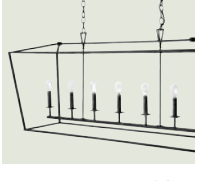






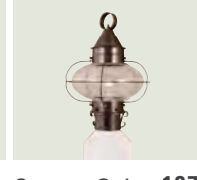
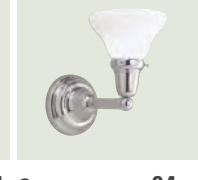



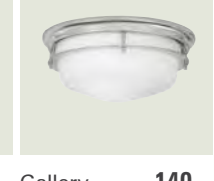
INC



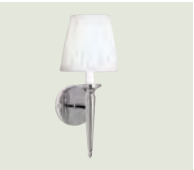







































Wall  
2233-BL-CL

| 2233 - Wall        | Finish     | Glass      | Lamping                           | Dimensions                                | Projection | TTO    |
|--------------------|------------|------------|-----------------------------------|---|------------|--------|
|                    | Black (BL) | Clear (CL) | Incandescent 3-60 Watt Candelabra | 18 H X 9 W<br>Backplate 4 1/2 H X 4 1/2 W | 9 3/4      | 13 3/4 |
| 2234 - Medium Post |            |            |                                   |   |            |        |
|                    | Black (BL) | Clear (CL) | Incandescent 3-60 Watt Candelabra | 17 H X 9 W                                |            |        |
| 2235 - Large Post  |            |            |                                   |   |            |        |
|                    | Black (BL) | Clear (CL) | Incandescent 3-60 Watt Candelabra | 24 1/2 H X 13 W                           |            |        |

# Products

|   |   |   |  |   |   |                                |            |                               |            |                              |            |
|---|---|---|--|---|---|--------------------------------|------------|-------------------------------|------------|------------------------------|------------|
|    |    |    |    |    |    |                                |            |                               |            |                              |            |
| Abbot<br>9645   | <b>24</b>   | Aiden<br>8475   | <b>106</b>   | Alex<br>8230  | <b>42</b>   | Alexus<br>5331/2/3/4           | <b>14</b>  | Alto<br>9691/2/3              | <b>18</b>  | American Heritage<br>1093/59 | <b>208</b> |
|    |    |    |    |    |    |                                |            |                               |            |                              |            |
| American Heritage<br>Post 1056  | <b>209</b>  | Angelica<br>8220  | <b>115</b>   | Apollo<br>9685  | <b>40</b>   | Arlington<br>8001              | <b>51</b>  | Astor<br>9651                 | <b>27</b>  | Astor Double<br>9652         | <b>28</b>  |
|    |    |    |    |    |    |                                |            |                               |            |                              |            |
| Astor Flush<br>9653   | <b>131</b>  | Avery<br>1085/6   | <b>165</b>   | Beacon<br>2283  | <b>200</b>  | Beacon<br>2282C/80C            | <b>201</b> | Birmingham<br>8121/2/3        | <b>96</b>  | Birmingham<br>8121F          | <b>151</b> |
|   |   |   |   |   |   |                                |            |                               |            |                              |            |
| Bliss<br>9690   | <b>20</b>   | Brooklyn<br>5634  | <b>138</b>   | Bradford<br>8201/2/3  | <b>98</b>   | Bradford<br>8201F              | <b>143</b> | Budapest<br>5155/3            | <b>202</b> | Cage<br>1080/1/2             | <b>156</b> |
|  |  |  |  |  |  |                                |            |                               |            |                              |            |
| Cage<br>1083  | <b>160</b>  | Carousel<br>5655  | <b>129</b>   | Circa<br>8141   | <b>121</b>  | Classic Onion<br>1512/13/08/09 | <b>192</b> | Classic Onion<br>Post 1510/11 | <b>197</b> | Clayton<br>5370              | <b>132</b> |
|  |  |  |  |  |  |                                |            |                               |            |                              |            |
| Compton<br>1425/6   | <b>204</b>  | Convertible<br>5870/6270  | <b>152</b>   | Cottage Onion<br>1323/4   | <b>185</b>  | Cottage Onion<br>Post 1321     | <b>187</b> | Coventry<br>8124/5/6          | <b>94</b>  | Curl<br>7001                 | <b>103</b> |
|  |  |  |  |  |  |                                |            |                               |            |                              |            |
| Dean<br>8981  | <b>13</b>   | Edge<br>1120  | <b>111</b>   | Elizabeth<br>8951/2/3   | <b>64</b>   | Emily<br>8911/2/3              | <b>72</b>  | Franklin<br>3310              | <b>48</b>  | Gallery<br>5632/3            | <b>140</b> |




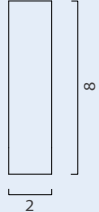
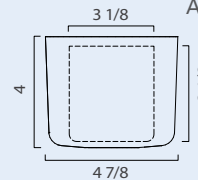
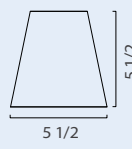

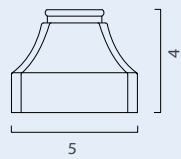
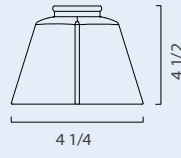
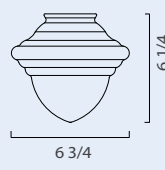
|   |   |   |   |  |   |
|---|---|---|---|--|---|
|    |    |    |    |    |   |
| Georgetown <b>122</b><br>8212/3   | Getty <b>134</b><br>5638  | Grace <b>105</b><br>8240  | Hamilton <b>113</b><br>5164   | Icereto <b>32</b><br>5311/2/3/4/5  |   |
|    |    |    |    |    |   |
| Isabel <b>137</b><br>5652   | Jade <b>46</b><br>9670  | Jenna <b>86</b><br>8531/2/3   | Kaset <b>22</b><br>9696   | Kaset Flush <b>135</b><br>9699   |   |
|    |    |    |    |    |    |
| Kathryn <b>60</b><br>8941/2/3   | Kimberly <b>21</b><br>8970  | Kimberly <b>163</b><br>8971   | Leah <b>144</b><br>5382/3   | Lenox <b>50</b><br>8550  | Lexington <b>219</b><br>2233/4  |
|   |   |   |   |   |   |
| Lexington <b>219</b><br>Post 2235   | Lucas <b>12</b><br>8980   | Maggie <b>107</b><br>8471   | Maison <b>80</b><br>9621  | Mariner <b>205</b><br>1101/2   | Matthew <b>84</b><br>9635/6/7   |
|  |  |  |  |  |  |
| Maxwell <b>108</b><br>8985/6  | Maya <b>44</b><br>9675  | Maya <b>172</b><br>9676   | Maya Drum <b>170</b><br>9677  | Mercer <b>150</b><br>5371  | Meridian <b>128</b><br>5635   |
|  |  |  |  |  |  |
| Metallique Drum <b>64</b><br>5640   | Metro <b>112</b><br>8215  | Moderne <b>38</b><br>5321/2/3   | Niveaux <b>130</b><br>5642  | North <b>177</b><br>1180/1/2   | North <b>176</b><br>1183  |
|  |  |  |  |  |  |
| Old Colony <b>212</b><br>1066/7/3   | Old Colony <b>215</b><br>Post 1068  | Port <b>206</b><br>1428   | Revere <b>124</b><br>3306   | Richmond <b>47</b><br>9730   | Roseau <b>136</b><br>5650/1   |

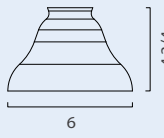
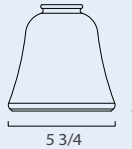
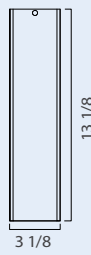
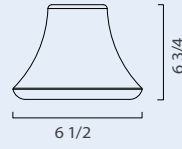
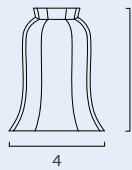
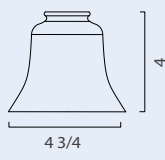
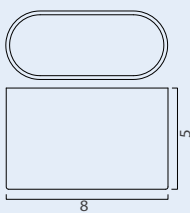
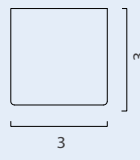
# Products

|   |   |   |  |   |
|---|---|---|--|---|
|    |    |    |    |    |
| Roule<br>5611   | <b>102</b><br>Roule 4 Arm<br>5614   | <b>166</b><br>Roule 6 Arm<br>5616   | <b>168</b><br>Roule 9 Arm<br>5619  | Sandra<br>5378  |
|    |    |    |    |    |
| Sapphire<br>9711/2  | <b>52</b><br>Schoolhouse<br>5361F   | Seafarer<br>1107  | <b>207</b><br>Seafarer<br>1108/5   | Sienna<br>9721/2/3  |
|    |    |    |    |    |
| Sobe<br>8775  | <b>30</b><br>Soft Square<br>8931/2/3  | <b>76</b><br>Soleil<br>9661/2/3   | <b>146</b><br>Soleil<br>5373   | Sophie<br>8581/2/3  |
|   |   |   |   |   |
| Spencer<br>8791/2/3   | <b>81</b><br>Taylor<br>5376   | <b>149</b><br>Timbale<br>1125/6   | <b>110</b><br>Trevi<br>8318/9/20   | <b>91</b><br>Turnberry<br>5645  |
|  |  |  |  |  |
| Vidalia Onion<br>Copper 1609/11/12  | <b>188</b><br>Vidalia Onion<br>1609/12  | <b>190</b><br>Vidalia Onion<br>Post 1611  | <b>191</b><br>Wave<br>8900/1   | <b>56</b><br>Wave Double<br>8902  |
|  |  |  |  |   |
| Weston<br>5120  | <b>120</b><br>Weymouth<br>1070/1  | <b>180</b><br>Weymouth<br>1070/1  | <b>182</b>   |   |

# Finishes

| Code      | Name   | Description  | Technique     | Code | Name   | Description  | Technique        |
|-----------|--|--|---------------|------|--|--|------------------|
| AN        |  Antique Brass        |  |               | CO   |  Copper              |  |                  |
| AN        |  Antique Brass        |  | painting      | GA   |  Galvanized          |  |                  |
| AG        |  Aged Brass           |  |               | GM   |  Gun Metal           | A striking dark charcoal color                               | acid-dipped      |
| AR        |  Architectural Bronze | Dark brown finish with a clear coat lacquer                                  | acid-dipped   | OB   |  Oiled Rubbed Bronze | An oil rubbed finish producing a rich brown tone             | hand-rubbed      |
| BA        |  Brushed Aluminum     |  |               | OP   |  Old World Pewter    |  | painting         |
| BC        |  Brushed Chrome     | A clean, bright finish brushed   | plated/buffed | PN   |  Polished Nickel   | A classic high-bright polish                                 | plated/lacquered |
| BL<br>BLK |  Black              | A black matte finish   | painting      | PW   |  Pewter            | Subtle, black highlights                                     | plated/buffed    |
| BN        |  Brushed Nickel     | A brushed matte silver finish provides a soft alternative to polished nickel | plated/buffed | SI   |  Sienna            | Unlacquered deep brown finish                                | acid-dipped      |
| BN        |  Brushed Nickel     | A painted finish on the Isabel semi-flush                                    | painting      | SS   |  Silver            |  | painting         |
| BR        |  Bronze             | Elegant dark brown finish with a clear coat lacquer                          | hand-dipped   | VE   |  Verde             | Wonderful blueish-green patina emulating natural aged copper | acid-dipped      |
| CH        |  Chrome             | Clean, bright attractive finish.   | plating       |      |  |  |                  |

| Code           | Name  | Description                                  | Model   |
|----------------|---|--|---|
| SO             | Abbot   | Shiny Opal                                   | 9645  |
|                |    |  |   |
| SO<br>SH<br>MO | Alex<br>Kristopher  | Splashed<br>Opal<br>Shiny Opal<br>Matte Opal | 8230<br>8235  |
|                |    |  |   |
| CL             | Alexus  | Clear Outer<br>Glass/ Frost-<br>ed Inner     | 5331<br>5332<br>5333<br>5334                          |
|                |    |  |   |
| FR             | Arlington   | Acid Etched<br>Frosted<br>Glass              | 8001  |
|                |   |  |   |
| SO             | Astor   | Shiny Opal                                   | 9651<br>9652  |
|                |  |  |   |
| PY             | Birmingham  | Pyramid                                      | 8121<br>8122<br>8123<br>8121F                         |
|                |  |  |   |
| SQ             | Birmingham<br>Matthew   | Square                                       | 8121<br>8122<br>8123<br>8121F<br>9635<br>9636<br>9637 |
|                |  |  |   |
| AC             | Bradford  | Acorn  | 8201<br>8202<br>8203<br>8201F                         |
|                |  |  |   |

| Code | Name   | Description          | Model  |
|------|--|----------------------|--|
| SO   | Coventry   | Shiny Opal           | 8124<br>8125<br>8126                         |
|      |    |                      |  |
| SO   | Cypress  | Soft Opal            | 8781<br>8782<br>8783                         |
|      |    |                      |  |
| MO   | Dean   | Square<br>Matte Opal | 8981   |
|      |    |                      |  |
| FL   | Elizabeth<br>Soleil  | Flair                | 8951<br>8952<br>8953<br>9661<br>9662<br>9663 |
|      |   |                      |  |
| HXO  | Emily  | Opal                 | 8911<br>8912<br>8913                         |
|      |  |                      |  |
| BSO  | Franklin<br>Sophie   | Bell Shiny<br>Opal   | 3310<br>8581<br>8582<br>8583                 |
|      |  |                      |  |
| MO   | Hamilton   | Matte Opal           | 5164   |
|      |  |                      |  |
| MO   | Icetero  | Matte Opal           | 5311<br>5312<br>5313<br>5314                 |
|      |  |                      |  |



| Code | Name  | Description                                     | Model                | Code | Name  | Description  | Model                         |
|------|---|---|----------------------|------|---|--------------|-------------------------------|
| MO   | Jade  | Matte Opal                                      | 9670                 | FR   | Sapphire  | Frosted      | 9721<br>9722<br>9723          |
|      |    |   |                      |      |     |              |                               |
| OP   | Jenna   | Opal  | 8531<br>8532<br>8533 | SO   | Sienna  | Shiny        | 9711<br>9712<br>9713          |
|      |    |   |                      |      |     |              |                               |
| FR   | Kathryn   | Frosted Glass with Flared Rim                   | 8941<br>8942<br>8943 | MO   | Sobe  | Matte Opal   | 8775                          |
|      |    |   |                      |      |     |              |                               |
| CL   | Kimberly  | Clear Glass Outer/ White Inner                  | 8971                 | SO   | Soft Square   | Shiny Opal   | 8931<br>8932<br>8933          |
|      |    |   |                      |      |     |              |                               |
| SO   | Lenox   | Shiny Opal                                      | 8550                 | OP   | Spencer   | Opal         | 8791<br>8792<br>8793          |
|      |  |   |                      |      |   |              |                               |
| CL   | Lucas   | Square clear outer glass/ inner perforated mesh | 8980                 | DO   | Trevi   | Double Opal  | 8318<br>8319<br>8320L         |
|      |  |   |                      |      |   |              |                               |
| OP   | Maison  | Opal  | 9621<br>9622<br>9623 | SO   | Wave  | Shiny Opal   | 8900<br>8901<br>8902          |
|      |  |   |                      |      |  |              |                               |
| MO   | Moderne   | Matte Opal                                      | 5321<br>5322<br>5323 | HXO  | William Trevi   | Hexagon Opal | 8521<br>8318<br>8319<br>8320L |
|      |  |   |                      |      |   |              |                               |
| MO   | Richmond  | Matte Opal                                      | 9730                 |      |   |              |                               |
|      |  |   |                      |      |   |              |                               |

| Model | Page    |       |     |       |     |
|-------|---------|-------|-----|-------|-----|
| 1056  | 209     | 1513  | 195 | 5611  | 102 |
| 1059  | 208     | 1609  | 188 | 5614  | 166 |
| 1063  | 214     | 1611  | 188 | 5616  | 169 |
| 1066  | 212     | 1612  | 188 | 5619  | 168 |
| 1067  | 215     | 1613  | 188 | 5632  | 140 |
| 1068  | 215-216 | 2233  | 219 | 5633  | 141 |
| 1070  | 182     | 2234  | 219 | 5634  | 138 |
| 1071  | 181     | 2235  | 219 | 5635  | 128 |
| 1072  | 182     | 2250  | 217 | 5636  | 128 |
| 1080  | 156     | 2253  | 217 | 5638  | 134 |
| 1081  | 157     | 2280C | 200 | 5640  | 164 |
| 1082  | 158     | 2282C | 200 | 5642  | 130 |
| 1083  | 160     | 2283  | 200 | 5645  | 133 |
| 1085  | 165     | 3306  | 125 | 5650  | 136 |
| 1086  | 165     | 3310  | 48  | 5651  | 136 |
| 1093  | 211     | 5120  | 120 | 5652  | 137 |
| 1101  | 205     | 5153  | 202 | 5655  | 129 |
| 1102  | 205     | 5155  | 202 | 5842  | 130 |
| 1105  | 207     | 5164  | 113 | 5870  | 152 |
| 1107  | 207     | 5311  | 32  | 6270  | 152 |
| 1108  | 207     | 5312  | 34  | 7001  | 103 |
| 1120  | 111     | 5313  | 35  | 8001  | 51  |
| 1125  | 110     | 5314  | 36  | 8121  | 96  |
| 1126  | 110     | 5315  | 37  | 8121F | 151 |
| 1180  | 179     | 5321  | 39  | 8122  | 96  |
| 1181  | 179     | 5322  | 39  | 8123  | 96  |
| 1182  | 177     | 5323  | 39  | 8124  | 95  |
| 1183  | 177     | 5331  | 15  | 8125  | 95  |
| 1321  | 186-187 | 5332  | 14  | 8126  | 95  |
| 1323  | 186     | 5333  | 17  | 8141  | 121 |
| 1324  | 185     | 5334  | 17  | 8201  | 98  |
| 1425  | 204     | 5361F | 148 | 8201F | 143 |
| 1426  | 204     | 5370  | 132 | 8202  | 98  |
| 1428  | 206     | 5371  | 150 | 8203  | 99  |
| 1508  | 196     | 5373  | 146 | 8212  | 122 |
| 1509  | 195     | 5376  | 149 | 8213  | 123 |
| 1510  | 196     | 5378  | 142 | 8215  | 112 |
| 1511  | 196     | 5382  | 144 | 8220  | 115 |
| 1512  | 193     | 5383  | 145 | 8230  | 42  |
|       |         |       |     | 8240  | 105 |
|       |         |       |     | 8318  | 91  |
|       |         |       |     | 8319  | 92  |
|       |         |       |     | 8320L | 92  |
|       |         |       |     | 8471  | 107 |
|       |         |       |     | 8475  | 106 |
|       |         |       |     | 8531  | 86  |
|       |         |       |     | 8532  | 86  |
|       |         |       |     | 8533  | 86  |
|       |         |       |     | 8550  | 50  |
|       |         |       |     | 8581  | 89  |
|       |         |       |     | 8582  | 90  |
|       |         |       |     | 8583  | 90  |
|       |         |       |     | 8775  | 31  |
|       |         |       |     | 8791  | 81  |
|       |         |       |     | 8792  | 82  |
|       |         |       |     | 8793  | 82  |
|       |         |       |     | 8901  | 56  |
|       |         |       |     | 8902  | 59  |
|       |         |       |     | 8911  | 73  |
|       |         |       |     | 8912  | 74  |
|       |         |       |     | 8913  | 73  |
|       |         |       |     | 8931  | 68  |
|       |         |       |     | 8932  | 70  |
|       |         |       |     | 8933  | 71  |
|       |         |       |     | 8941  | 61  |
|       |         |       |     | 8942  | 61  |
|       |         |       |     | 8943  | 62  |
|       |         |       |     | 8951  | 64  |
|       |         |       |     | 8952  | 65  |
|       |         |       |     | 8953  | 67  |
|       |         |       |     | 8970  | 21  |
|       |         |       |     | 8971  | 163 |
|       |         |       |     | 8980  | 12  |
|       |         |       |     | 8981  | 13  |
|       |         |       |     | 8985  | 109 |
|       |         |       |     | 8986  | 109 |
|       |         |       |     | 9621  | 80  |
|       |         |       |     | 9635  | 85  |
|       |         |       |     | 9636  | 84  |
|       |         |       |     | 9637  | 84  |
|       |         |       |     | 9645  | 24  |
|       |         |       |     | 9651  | 27  |
|       |         |       |     | 9652  | 28  |
|       |         |       |     | 9653  | 131 |
|       |         |       |     | 9661  | 76  |
|       |         |       |     | 9662  | 76  |
|       |         |       |     | 9663  | 78  |
|       |         |       |     | 9664  | 78  |
|       |         |       |     | 9670  | 46  |
|       |         |       |     | 9675  | 45  |
|       |         |       |     | 9676  | 173 |
|       |         |       |     | 9677  | 171 |
|       |         |       |     | 9685  | 41  |
|       |         |       |     | 9690  | 20  |
|       |         |       |     | 9691  | 18  |
|       |         |       |     | 9692  | 18  |
|       |         |       |     | 9693  | 18  |
|       |         |       |     | 9696  | 22  |
|       |         |       |     | 9697  | 22  |
|       |         |       |     | 9699  | 135 |
|       |         |       |     | 9711  | 52  |
|       |         |       |     | 9712  | 52  |
|       |         |       |     | 9713  | 53  |
|       |         |       |     | 9721  | 55  |
|       |         |       |     | 9722  | 55  |
|       |         |       |     | 9723  | 55  |
|       |         |       |     | 9730  | 47  |

